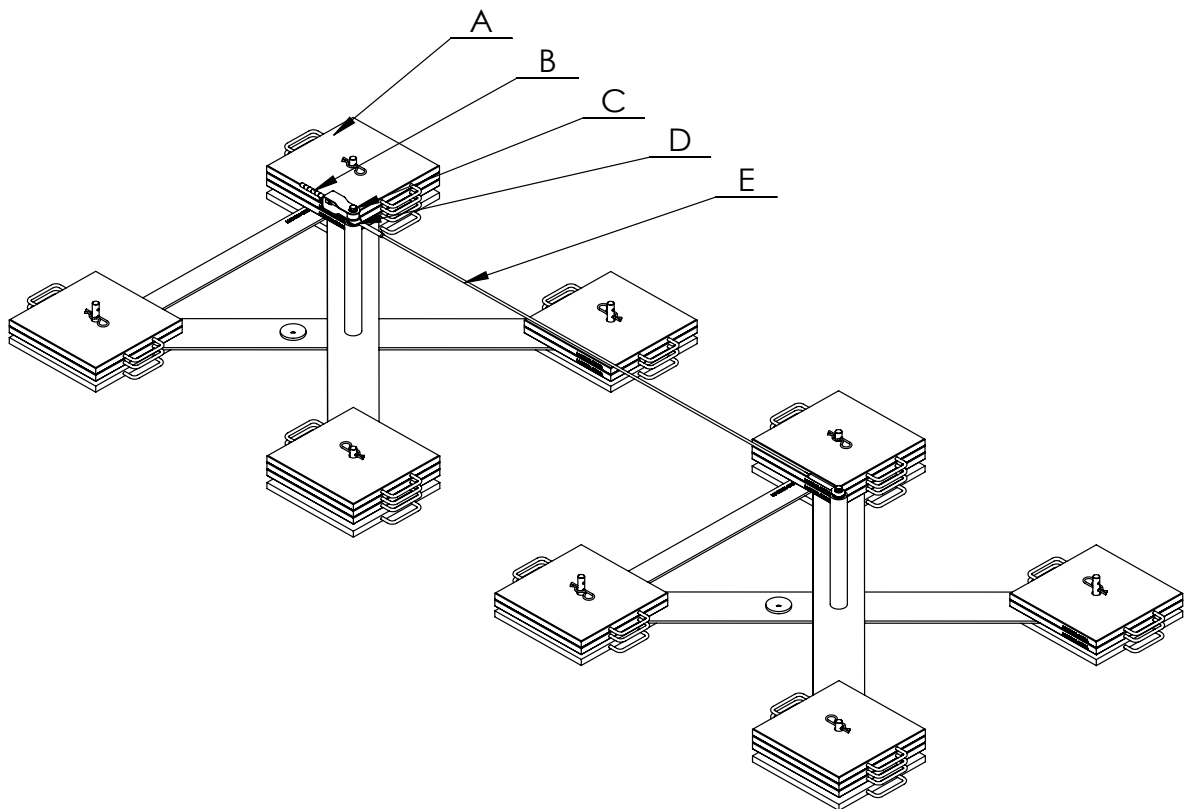




SAFETY AT THE HIGHEST LEVEL

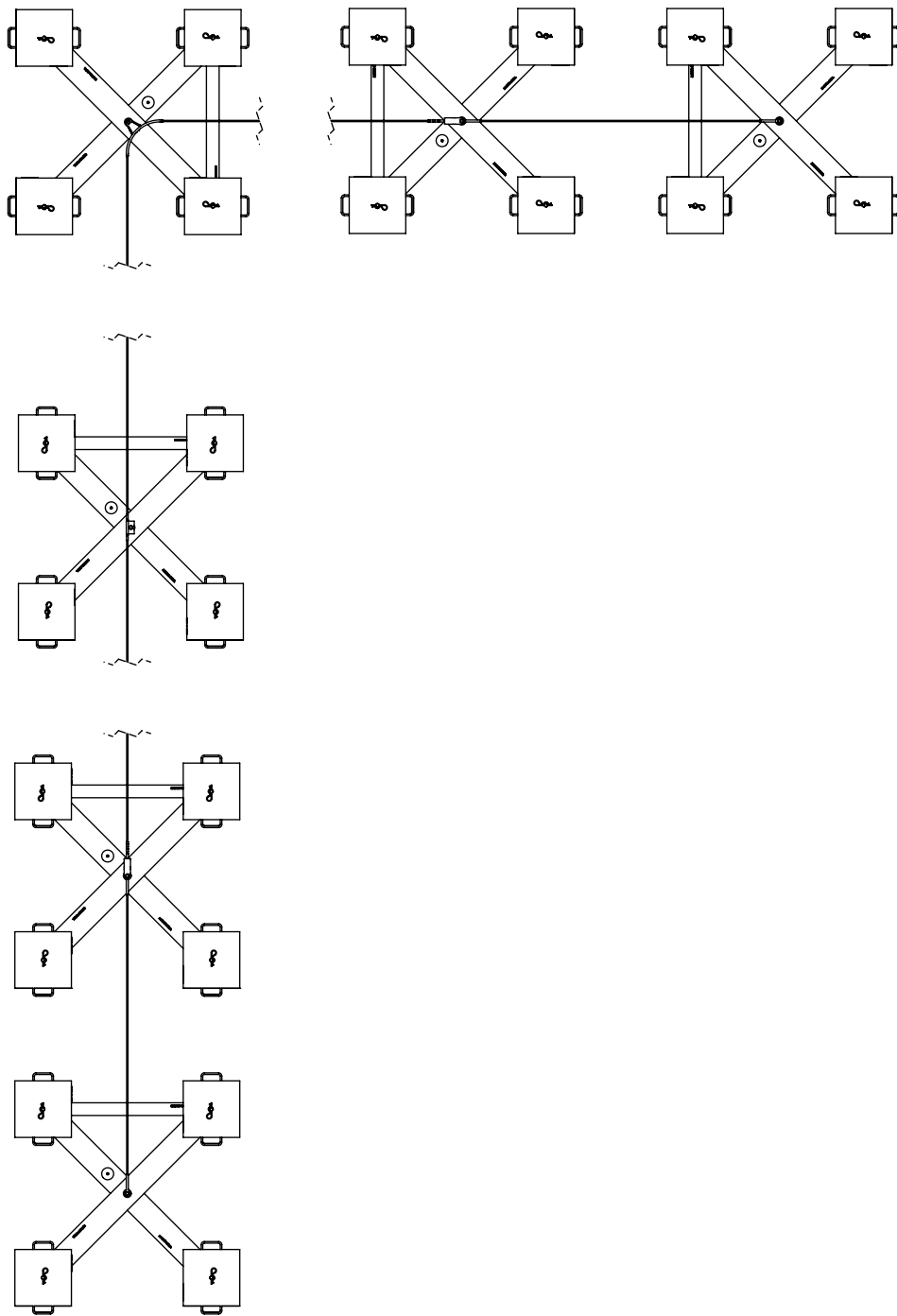
Wireanka Technical Datasheet Pack



Revision 5
Issued May 2023

Technical Datasheet No: 0001

TYPICAL HORIZONTAL LIFR LINE SYSTEM TO WIREANKA



SYSTEM SPECIFICATION

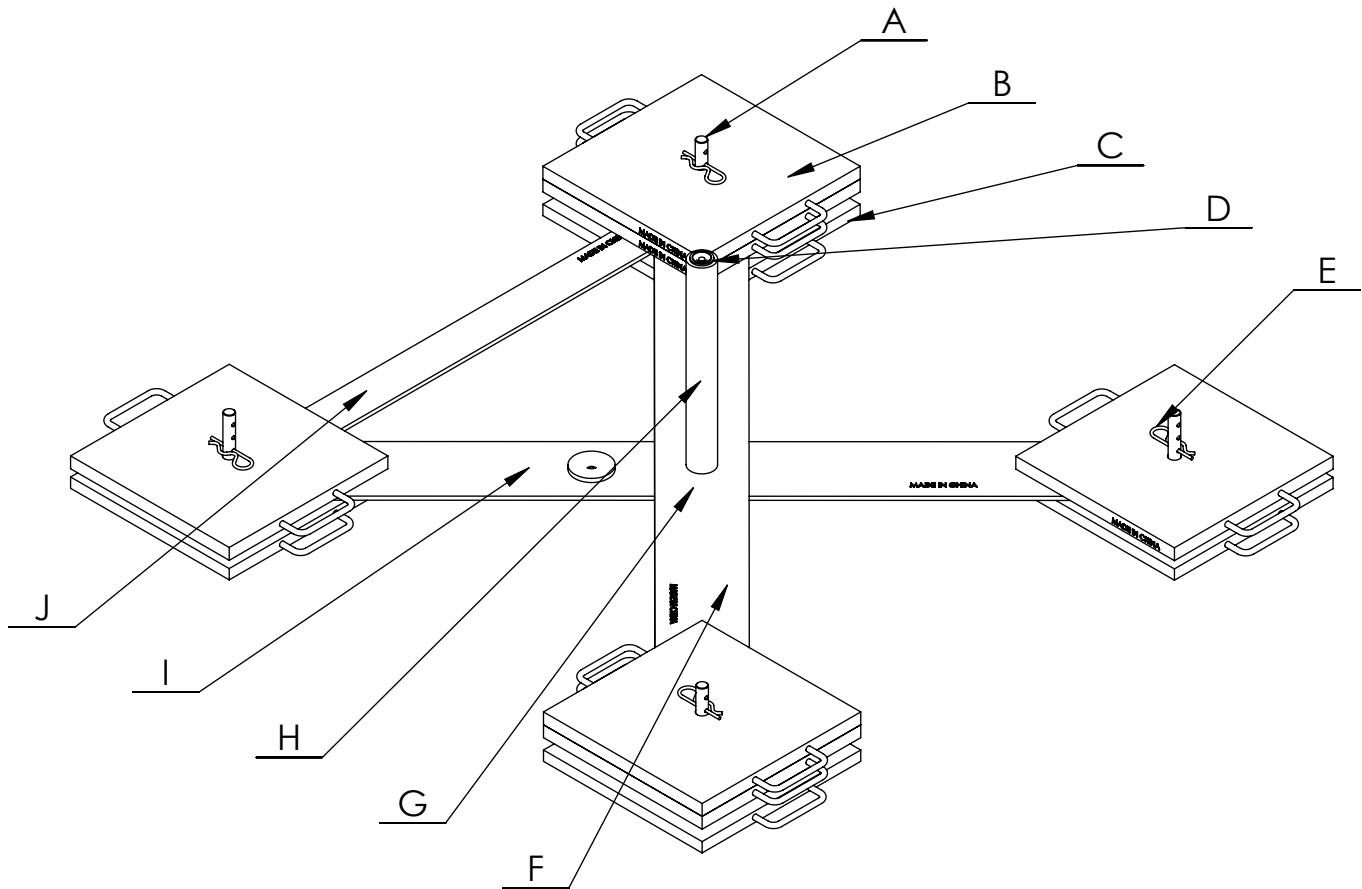
Material	
Finish	
Weight	

Technical Datasheet No: 0001

WIREANK06 - 250KG WIREANKA INTERMEDIATE ASSEMBLY

Part No: WRAB00610

Short Part No: WIREANK06



A	DW1016 010 - DWA101/6 - LOCATING PIN (4-OFF)
B	DW1012010 - 10DWA101/2 - 25KG GALV WEIGHT FOR DEADWEIGHT (6-OFF)
C	DW1013010 - DWA101-3 - RUBBER COATED 15KG WEIGHT FOR DEADWEIGHT (4-OFF)
D	PWH003840 - POLYWASH - 38MM O.D. SEALING WASHER (1-OFF)
E	DWACL010 - DWA-CLIP - CLIP FOR WEIGHT LOCATING PIN (4-OFF)
F	DW1015T10 - DWA101/5T - TOP CROSS ARM STRIP (1-OFF)
G	DWM207570 - DWA-BOLT20 - M20X75MM BZP CSK SOCKET SCREW (1-OFF)
H	DW1018110 - DWA101/8/1 - 400MM WIREANKA PEDESTAL M12 (1-OFF) OR DW1018210 - DWA101/8/2 - 400MM WIREANKA PEDESTAL M16 (1-OFF)
I	DW1015D10 - DWA101/5B - BOTTOM CROSS ARM & NUT (1-OFF)
J	DW1014010 - DWA101/4 - STABILISER ARM FOR DEADWEIGHT (1-OFF)

APPLICATION

Wireanka is a deadweight anchor device for use as support for flexible anchor lines conforming to EN795 Class C and BS7883. It consists of a modular steel framework to which weights are attached. Various fittings may be provided for the attachment of the above anchor lines. Wireanka is made in several parts to ease mobility. A standard Wireanka supported wire system may support up to TWO users for Fall Arrest, and an unlimited number of users in RESTRAINT, depending upon layout and application.

COMPONENT SPECIFICATION

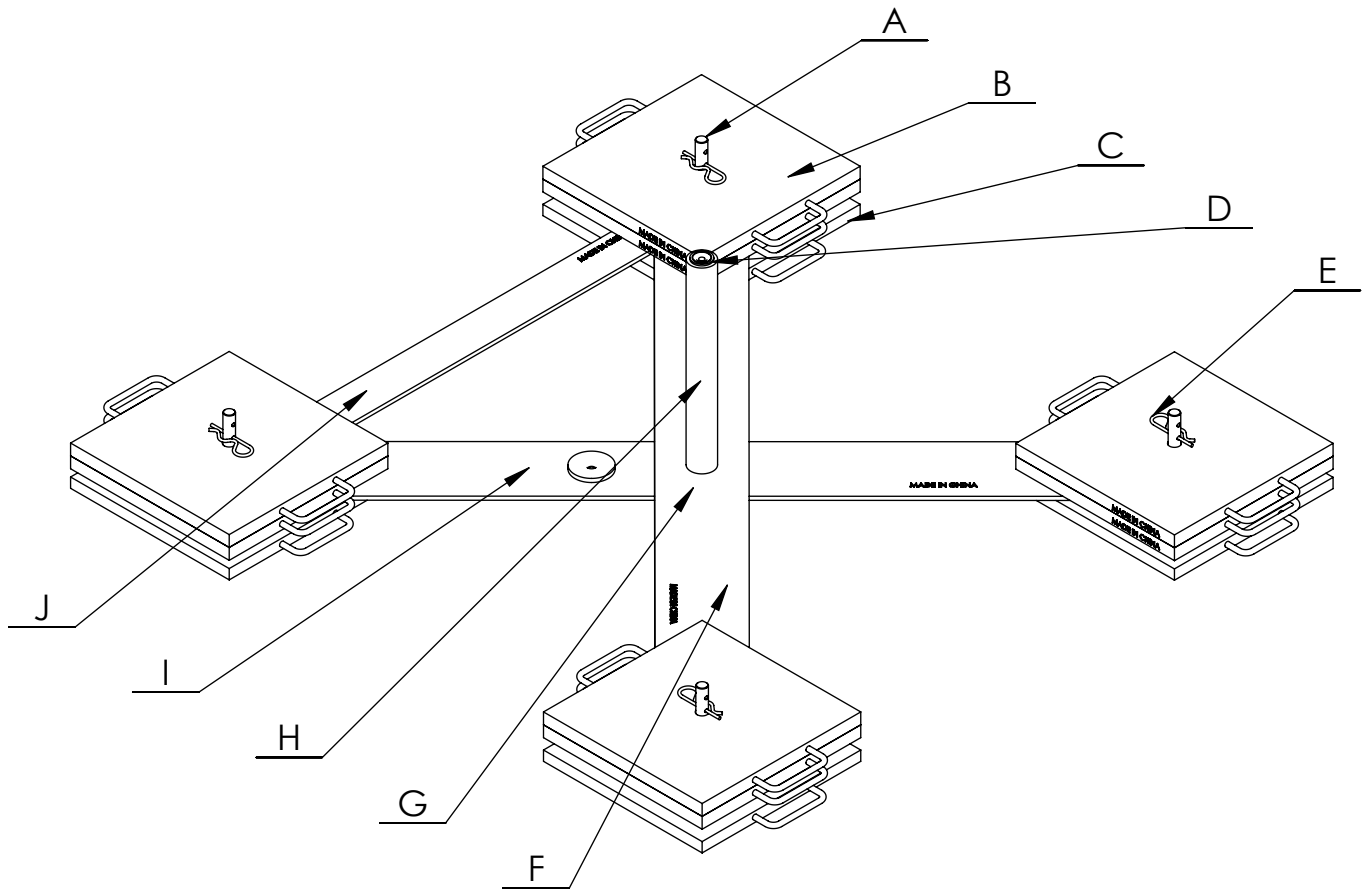
Material	Mild Steel 230M07 / 070M30 / Stainless Steel 316 / Rubber
Finish	Galvanised / Zinc Plated / Electropolished / Natural
Weight	254 kg

Technical Datasheet No: 0002

WIREANK08 - 300KG WIREANKA EXTREMITY ASSEMBLY

Part No: WRAB00810

Short Part No: WIREANK08



A	DW1016 010 - DWA101/6 - LOCATING PIN (4-OFF)
B	DW1012010 - 10DWA101/2 - 25KG GALV WEIGHT FOR DEADWEIGHT (8-OFF)
C	DW1013010 - DWA101-3 - RUBBER COATED 15KG WEIGHT FOR DEADWEIGHT (4-OFF)
D	PWH003840 - POLYWASH - 38MM O.D. SEALING WASHER (1-OFF)
E	DWACLPO10 - DWA-CLIP - CLIP FOR WEIGHT LOCATING PIN (4-OFF)
F	DW1015T10 - DWA101/5T - TOP CROSS ARM STRIP (1-OFF)
G	DWM207570 - DWA-BOLT20 - M20X75MM BZP CSK SOCKET SCREW (1-OFF)
H	DW1018110 - DWA101/8/1 - 400MM WIREANKA PEDESTAL M12 (1-OFF) OR DW1018210 - DWA101/8/2 - 400MM WIREANKA PEDESTAL M16 (1-OFF)
I	DW1015D10 - DWA101/5B - BOTTOM CROSS ARM & NUT (1-OFF)
J	DW1014010 - DWA101/4 - STABILISER ARM FOR DEADWEIGHT (1-OFF)

APPLICATION

Wireanka is a deadweight anchor device for use as support for flexible anchor lines conforming to EN795 Class C and BS7883. It consists of a modular steel framework to which weights are attached. Various fittings may be provided for the attachment of the above anchor lines. Wireanka is made in several parts to ease mobility. A standard Wireanka supported wire system may support up to TWO users for Fall Arrest, and an unlimited number of users in RESTRAINT, depending upon layout and application.

COMPONENT SPECIFICATION

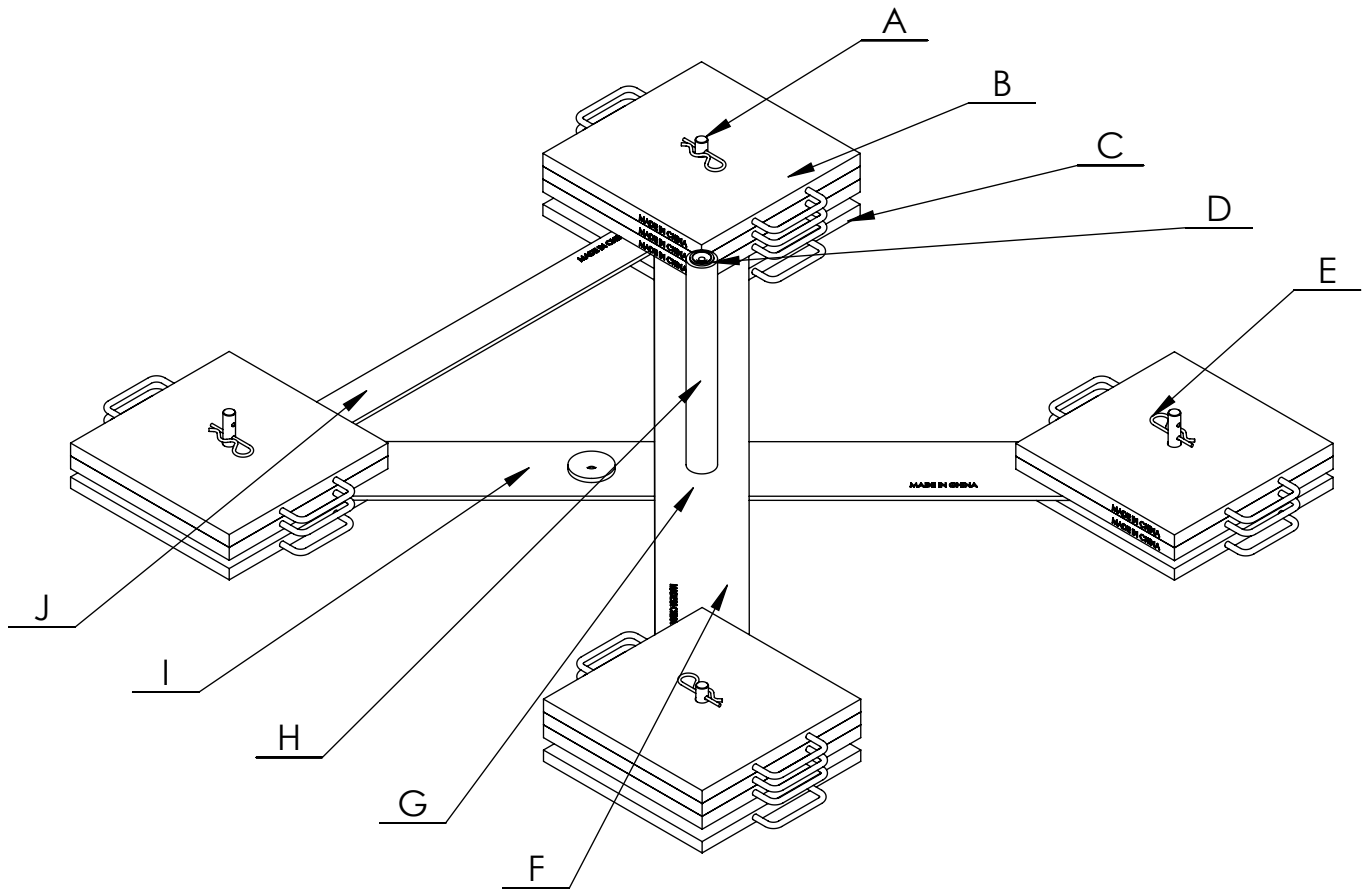
Material	Mild Steel 230M07 / 070M30 / Stainless Steel 316 / Rubber
Finish	Galvanised / Zinc Plated / Electropolished / Natural
Weight	254 kg

Technical Datasheet No: 0003

WIREANK10 - 350KG WIREANKA EXTREMITY ASSEMBLY

Part No: WRAB01010

Short Part No: WIREANK10



A	DW1016 010 - DWA101/6 - LOCATING PIN (4-OFF)
B	DW1012010 - 10DWA101/2 - 25KG GALV WEIGHT FOR DEADWEIGHT (10-OFF)
C	DW1013010 - DWA101-3 - RUBBER COATED 15KG WEIGHT FOR DEADWEIGHT (4-OFF)
D	PWH003840 - POLYWASH - 38MM O.D. SEALING WASHER (1-OFF)
E	DWACLPO10 - DWA-CLIP - CLIP FOR WEIGHT LOCATING PIN (4-OFF)
F	DW1015T10 - DWA101/5T - TOP CROSS ARM STRIP (1-OFF)
G	DWM207570 - DWA-BOLT20 - M20X75MM BZP CSK SOCKET SCREW (1-OFF)
H	DW1018110 - DWA101/8/1 - 400MM WIREANKA PEDESTAL M12 (1-OFF) OR DW1018210 - DWA101/8/2 - 400MM WIREANKA PEDESTAL M16 (1-OFF)
I	DW1015D10 - DWA101/5B - BOTTOM CROSS ARM & NUT (1-OFF)
J	DW1014010 - DWA101/4 - STABILISER ARM FOR DEADWEIGHT (1-OFF)

APPLICATION

Wireanka is a deadweight anchor device for use as support for flexible anchor lines conforming to EN795 Class C and BS7883. It consists of a modular steel framework to which weights are attached. Various fittings may be provided for the attachment of the above anchor lines. Wireanka is made in several parts to ease mobility. A standard Wireanka supported wire system may support up to TWO users for Fall Arrest, and an unlimited number of users in RESTRAINT, depending upon layout and application.

COMPONENT SPECIFICATION

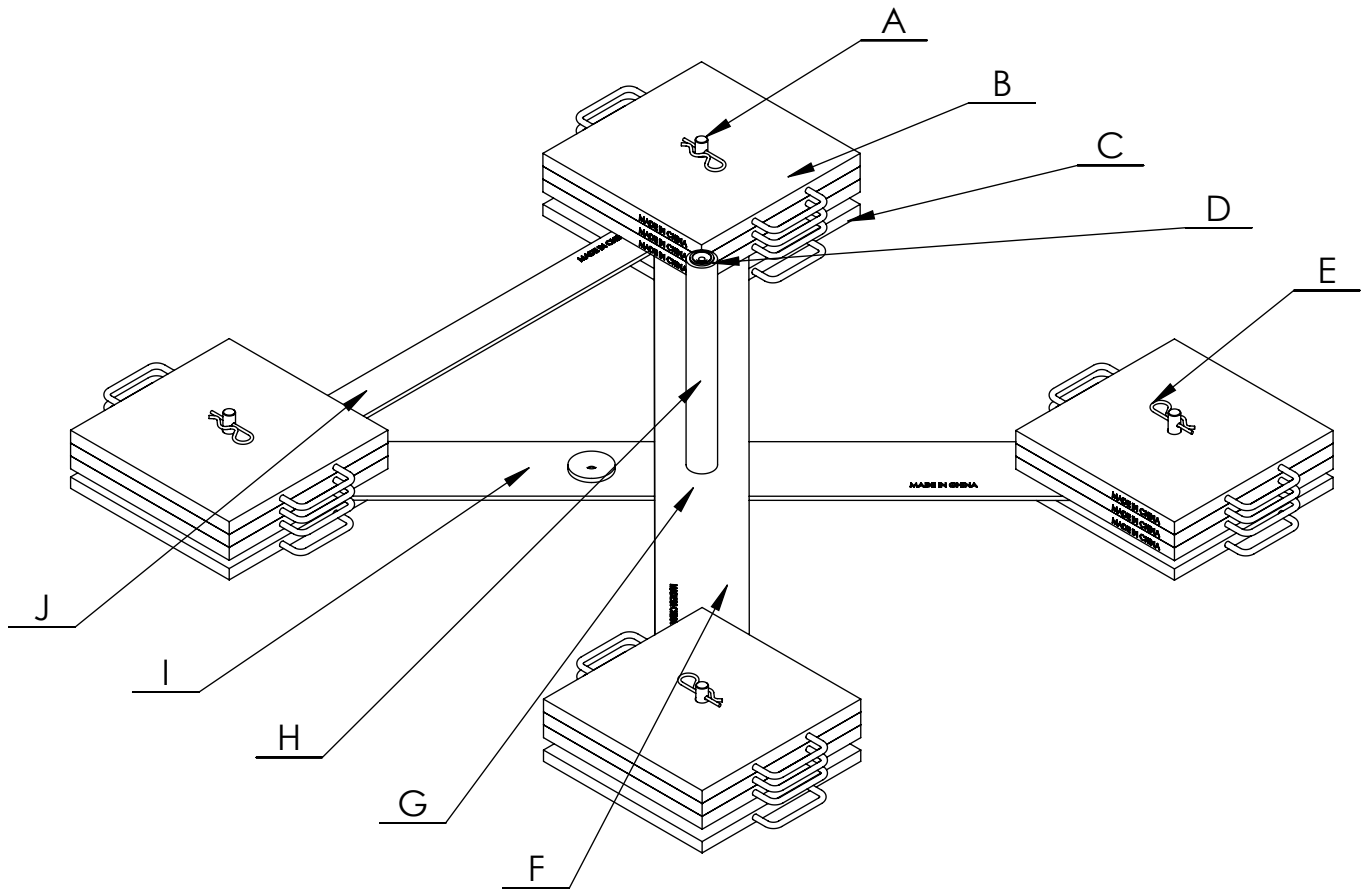
Material	Mild Steel 230M07 / 070M30 / Stainless Steel 316 / Rubber
Finish	Galvanised / Zinc Plated / Electropolished / Natural
Weight	254 kg

Technical Datasheet No: 0004

WIREANK12 - 400KG WIREANKA EXTREMITY ASSEMBLY

Part No: WRAB01210

Short Part No: WIREANK12



A	DW1016 010 - DWA101/6 - LOCATING PIN (4-OFF)
B	DW1012010 - 10DWA101/2 - 25KG GALV WEIGHT FOR DEADWEIGHT (12-OFF)
C	DW1013010 - DWA101-3 - RUBBER COATED 15KG WEIGHT FOR DEADWEIGHT (4-OFF)
D	PWH003840 - POLYWASH - 38MM O.D. SEALING WASHER (1-OFF)
E	DWACL010 - DWA-CLIP - CLIP FOR WEIGHT LOCATING PIN (4-OFF)
F	DW1015T10 - DWA101/5T - TOP CROSS ARM STRIP (1-OFF)
G	DWM207570 - DWA-BOLT20 - M20X75MM BZP CSK SOCKET SCREW (1-OFF)
H	DW1018110 - DWA101/8/1 - 400MM WIREANKA PEDESTAL M12 (1-OFF) OR DW1018210 - DWA101/8/2 - 400MM WIREANKA PEDESTAL M16 (1-OFF)
I	DW1015D10 - DWA101/5B - BOTTOM CROSS ARM & NUT (1-OFF)
J	DW1014010 - DWA101/4 - STABILISER ARM FOR DEADWEIGHT (1-OFF)

APPLICATION

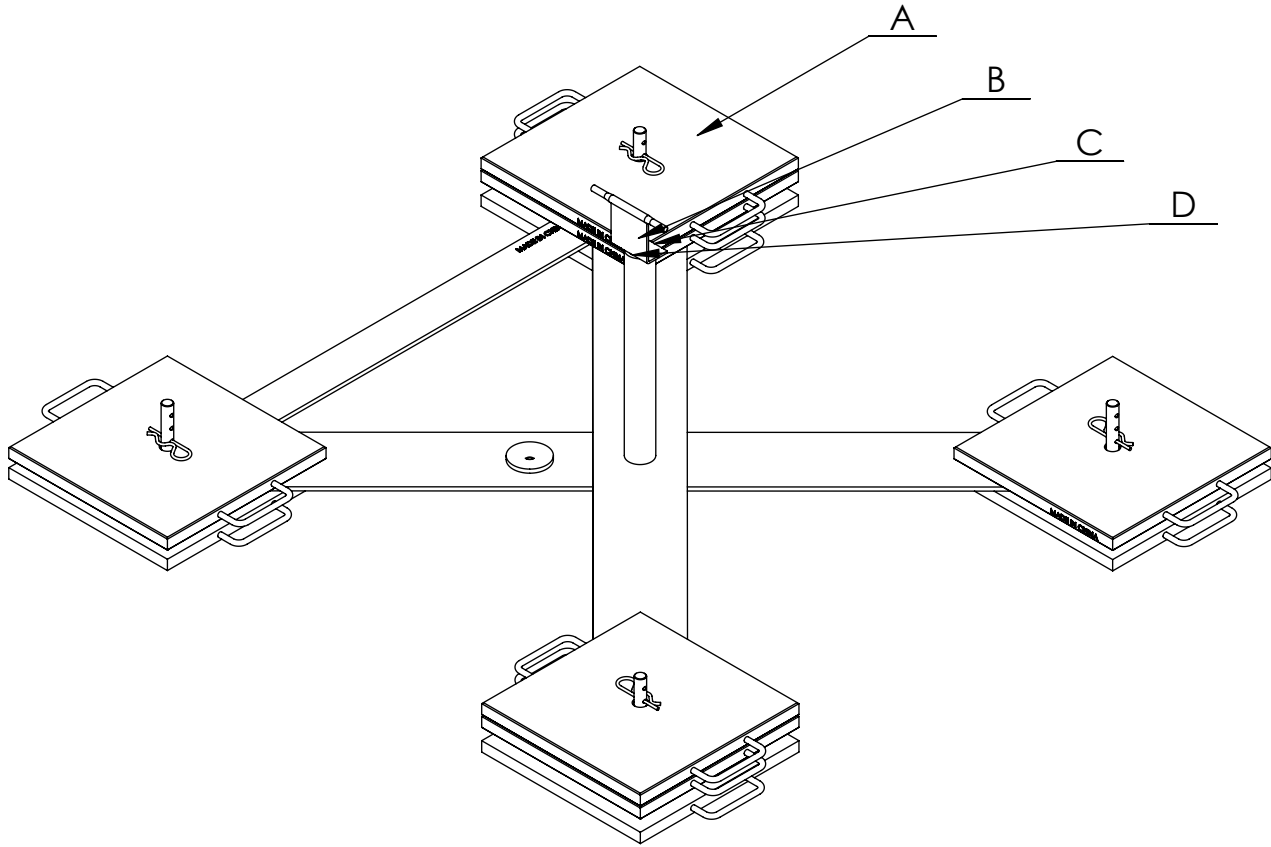
Wireanka is a deadweight anchor device for use as support for flexible anchor lines conforming to EN795 Class C and BS7883. It consists of a modular steel framework to which weights are attached. Various fittings may be provided for the attachment of the above anchor lines. Wireanka is made in several parts to ease mobility. A standard Wireanka supported wire system may support up to TWO users for Fall Arrest, and an unlimited number of users in RESTRAINT, depending upon layout and application.

COMPONENT SPECIFICATION

Material	Mild Steel 230M07 / 070M30 / Stainless Steel 316 / Rubber
Finish	Galvanised / Zinc Plated / Electropolished / Natural
Weight	254 kg

Technical Datasheet No: 0006

WIREANKA INTERMEDIATE BRACKET ASSEMBLY



A	WRAB00610 - WIREANK06 - 250KG WIREANKA INTERMEDIATE ASSEMBLY
B	LAM124050 - LA-BOLT X40 - M12 X 40MM HEX HEAD SET SCREW A4-80 (X1) LAW122450 - WASH12X24S - M12 X 24 FLAT WASHER A4-70 (X1) 531M12000250 - M12WASH - M12 SPRING WASHER A4 SS (X1)
C	LAIN0010 - INTW010 - KEELINE INTERMEDIATE BRACKET FOR STRUCTURES OR LAINTEXT0 - INTEW010 KEELINE EXTENDED INT BRACKET FOR STRUCTURES
D	PWH003840 - POLYWASH - 38MM O.D. SEALING WASHER (1-OFF)

APPLICATION

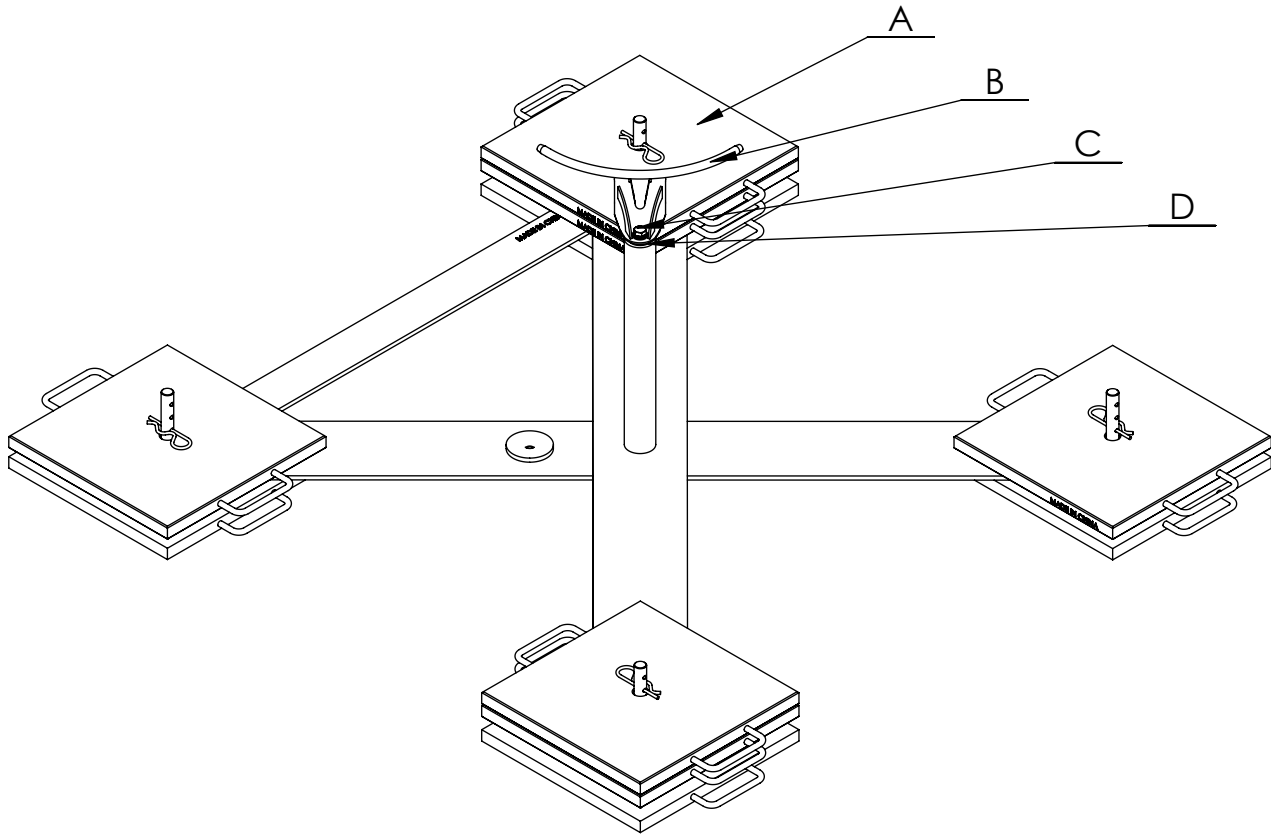
Allow the Traveller to pass over the brackets without detaching from the system. Maximum span of 15m between Intermediate Brackets.

COMPONENT SPECIFICATION

Material	Mild Steel 230M07 / 070M30 / Stainless Steel 316 / Rubber
Finish	Galvanised / Zinc Plated / Electropolished / Natural
Weight	254 kg

Technical Datasheet No: 0007

WIREANKA CORNER BRACKET ASSEMBLY



A	WRAB00610 - WIREANK06 - 250KG WIREANKA INTERMEDIATE ASSEMBLY
B	LAKL20090 - 90CNR - ROOF MOUNTED CORNER - 90 DEGREES OR LAKL20045 - 45CNR - ROOF MOUNTED CORNER - 45 DEGREES
C	LAM124050 - LA-BOLT X40 - M12 X 40MM HEX HEAD SET SCREW A4-80 (X1) LAW122450 - WASH12X24S - M12 X 24 FLAT WASHER A4-70 (X1) 531M12000250 - M12WASH - M12 SPRING WASHER A4 SS (X1)
D	PWH003840 - POLYWASH - 38MM O.D. SEALING WASHER (1-OFF)

APPLICATION

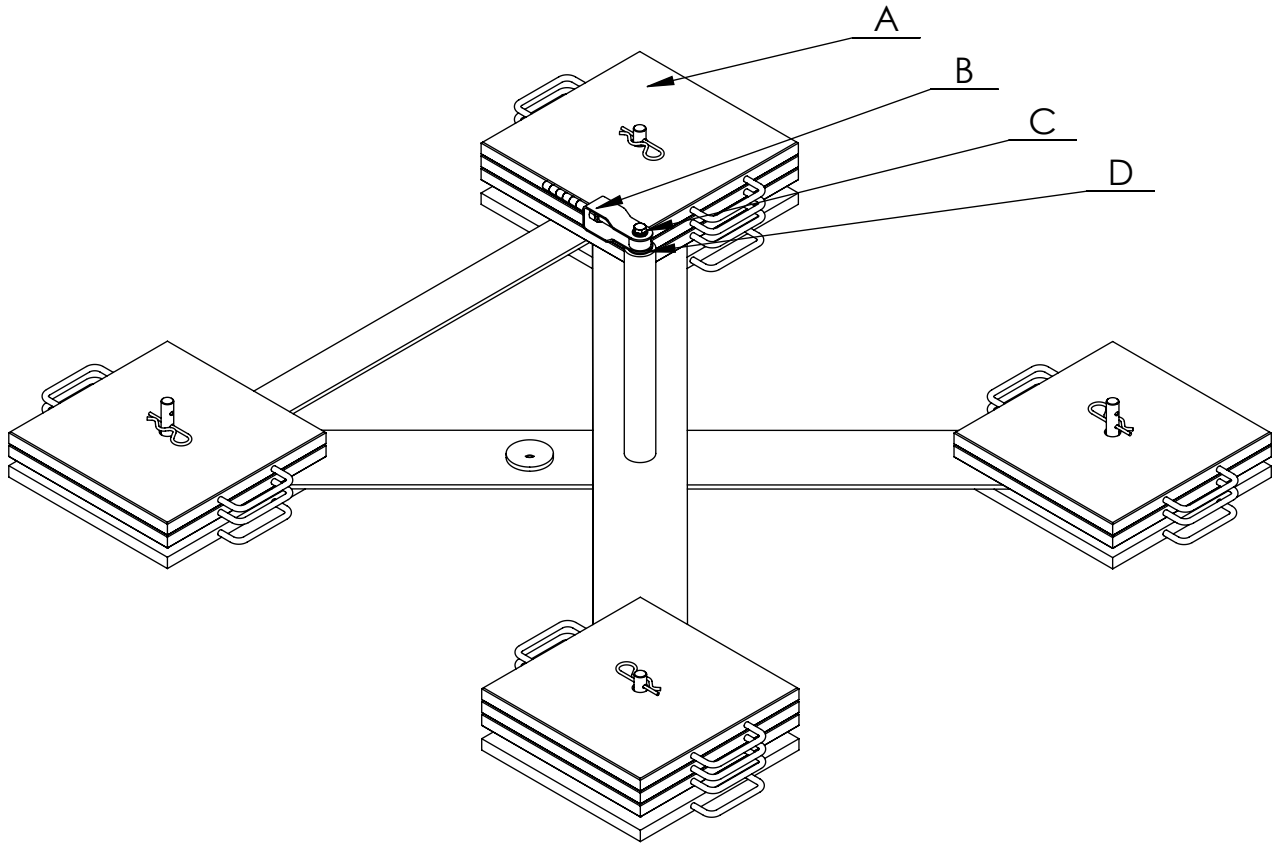
Allows the system to turn through 90° or 135° Other angles can be achieved via cutting the tube in order to form the required angle.

COMPONENT SPECIFICATION

Material	Mild Steel 230M07 / 070M30 / Stainless Steel 316 / Rubber
Finish	Galvanised / Zinc Plated / Electropolished / Natural
Weight	254 kg

Technical Datasheet No: 0008

WIREANKA TENSIONER ASSEMBLY



A	WRAB00810 - WIREANK08 - 300KG WIREANKA EXTREMITY ASSEMBLY OR WRAB01010 - WIREANK10 - 350KG WIREANKA EXTREMITY ASSEMBLY
B	LAB010010 - LINE-WAEXT - LINEANKA EXTREMITY FITTING (1-OFF)
C	LAM126050 - LA-BOLT X60 - M12 X 60MM HEX HEAD SET SCREW A4-80 (X1) LAW122450 - WASH12X24S - M12 X 24 FLAT WASHER A4-70 (X1) 531M12000250 - M12WASH - M12 SPRING WASHER A4 SS (X1)
D	PWH003840 - POLYWASH - 38MM O.D. SEALING WASHER (1-OFF)

APPLICATION

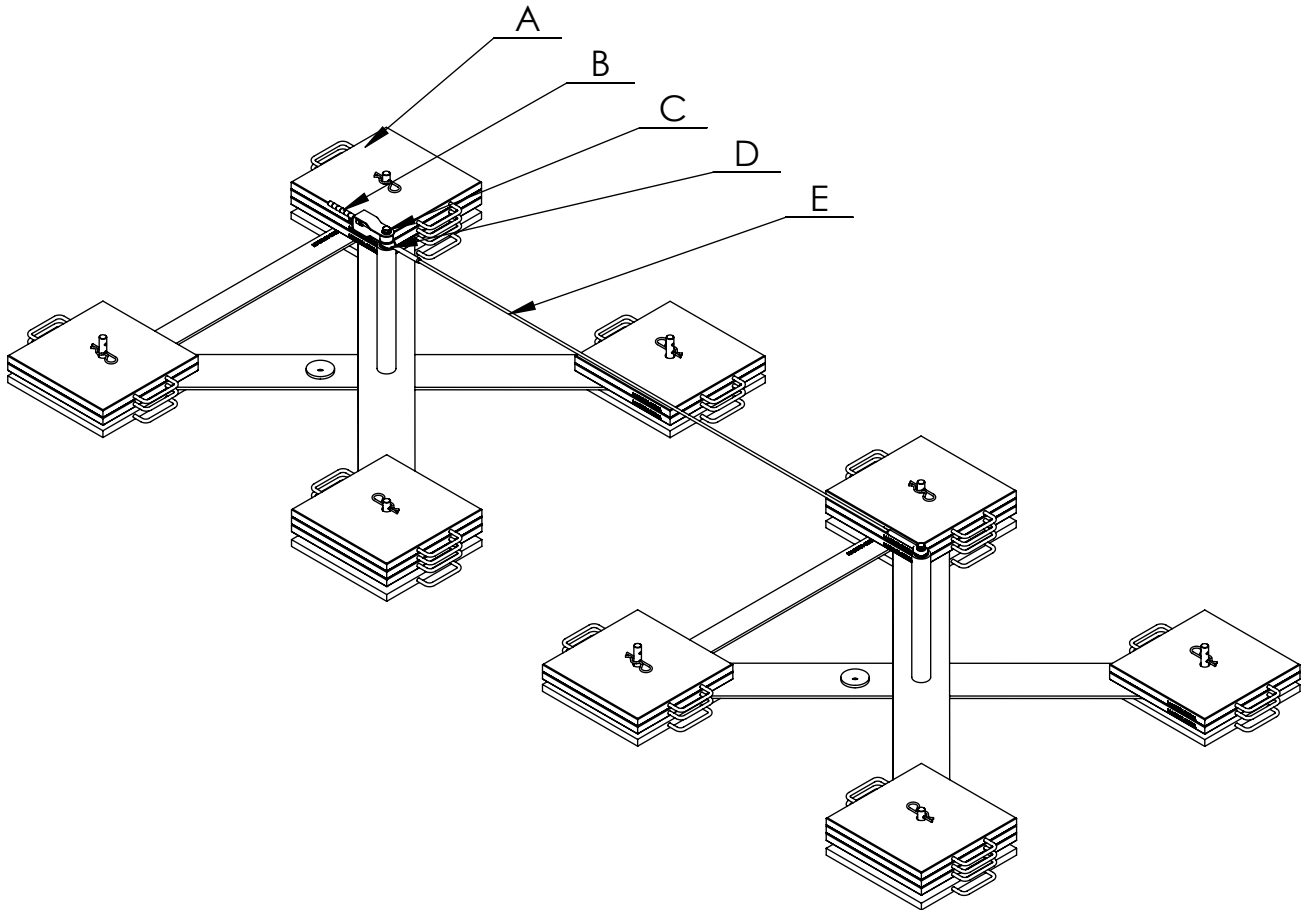
The Energy Absorber is designed to dissipate the energy generated throughout the system and reduce the end loadings to below 10kN. The pretension indicator is a way of instantly adjusting and checking the correct tension of the life line cable.

COMPONENT SPECIFICATION

Material	Mild Steel 230M07 / 070M30 / Stainless Steel 316 / Rubber
Finish	Galvanised / Zinc Plated / Electropolished / Natural
Weight	354 kg

Technical Datasheet No: 0009

ADDITIONAL EXTREMITY / CORNER CONNECTING AND TENSIONER ASSEMBLY



A	WRAB00810 - WIREANK08 - 300KG WIREANKA EXTREMITY ASSEMBLY (2-OFF) OR WRAB01010 - WIREANK10 - 350KG WIREANKA EXTREMITY ASSEMBLY (2-OFF)
B	LAB010010 - LINE-WAEXT - LINEANKA EXTREMITY FITTING (1-OFF)
C	LAM126050 - LA-BOLT X60 - M12 X 60MM HEX HEAD SET SCREW A4-80 (X2) LAW122450 - WASH12X24S - M12 X 24 FLAT WASHER A4-70 (X2) 531M12000250 - M12WASH - M12 SPRING WASHER A4 SS (X2)
D	PWH003840 - POLYWASH - 38MM O.D. SEALING WASHER (1-OFF)
E	DW1023010 - DWA102-3 - EXTREMITY CONNECTING KIT (1-OFF)

APPLICATION

Extremity / Corner Wireanka units must be installed in situation where two users are to work simultaneously in fall arrest situations, or more than three users simultaneously in restraint situations.

COMPONENT SPECIFICATION

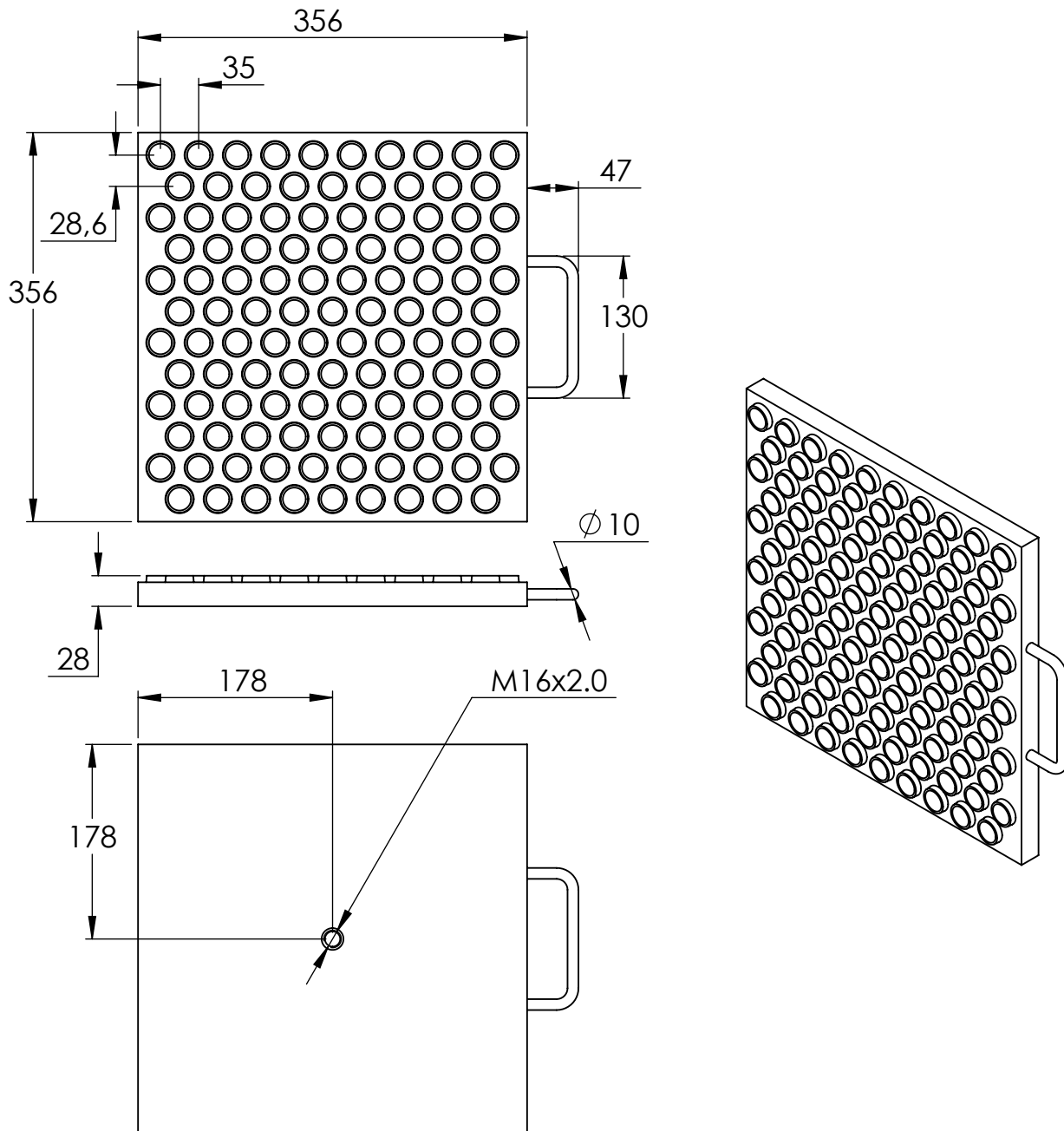
Material	Mild Steel 230M07 / 070M30 / Stainless Steel 316 / Rubber
Finish	Galvanised / Zinc Plated / Electropolished / Natural
Weight	354 kg

Technical Datasheet No: 0010

DWA101/3 - RUBBER COATED 15KG WEIGHT FOR DEADWEIGHT

Part No: DW1013010

Short Part No: DWA101/3



APPLICATION

Base plates to provide maximum friction and / or adhesion with the roof surface. It is important that the Rubber Coated Base Weights are installed with the suction cups facing down, in direct contact with the surface. Each rubber coated base weight has a central tapped hole to accept the weight Locating Pin.

COMPONENT SPECIFICATION

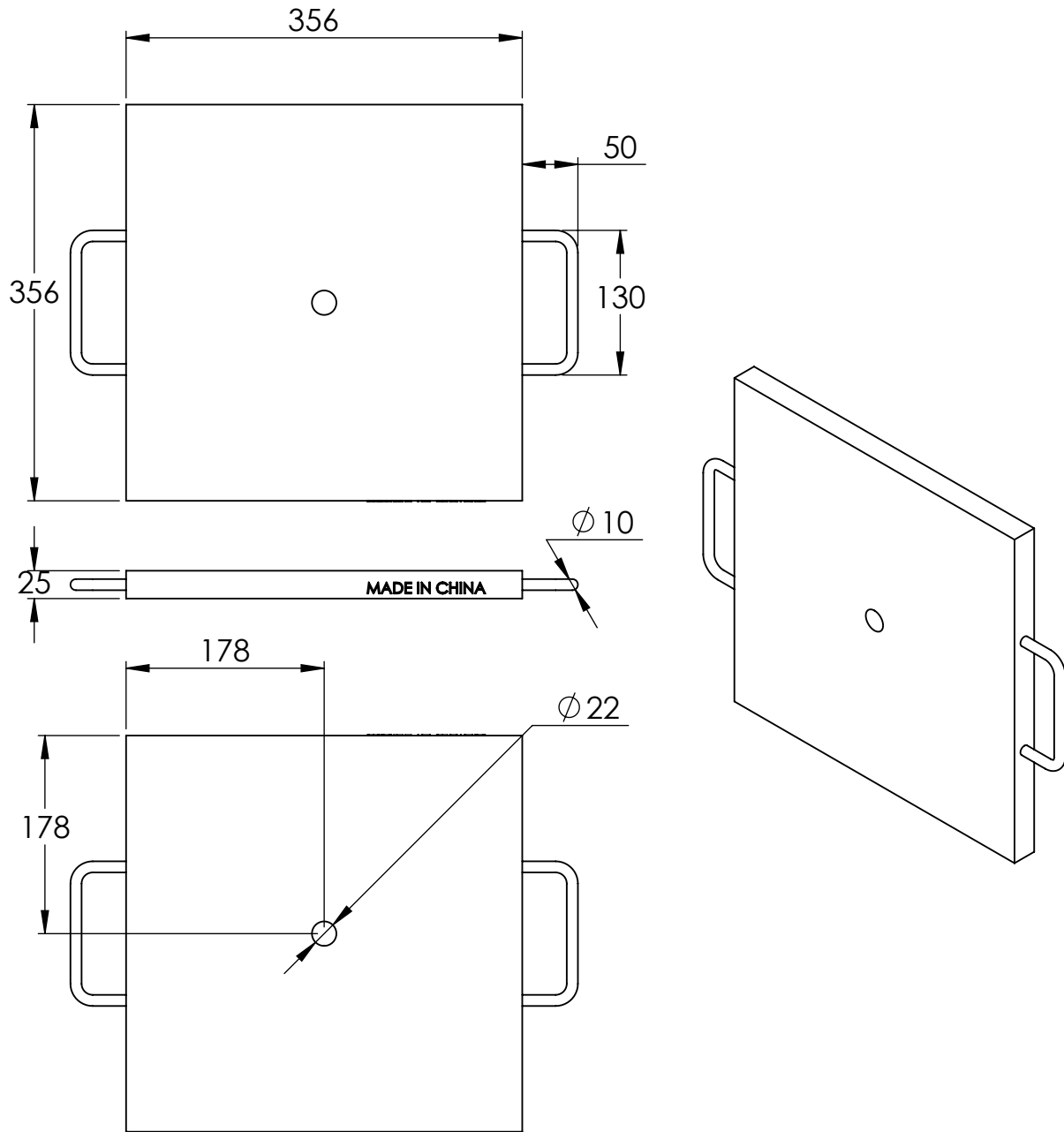
Material	Mild Steel Q235 / Rubber
Finish	Self Colour / Natural
Weight	15.00 kg

Technical Datasheet No: 0011

DWA101/2 25 KG GALV WEIGHT

Part No: DW1012010

Short Part No: DWA101/2



APPLICATION

The standard weights are Galvanised and have a bright silver appearance. They should not be confused with the Base weights which are rubber coated and black in appearance. The central hole of the standard weights is un-threaded, and designed to accept the unthreaded portion of the Weight locating pin

COMPONENT SPECIFICATION

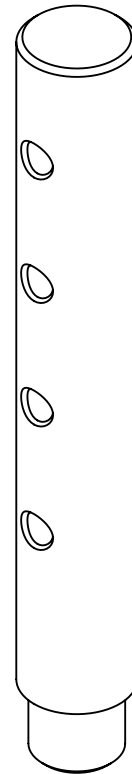
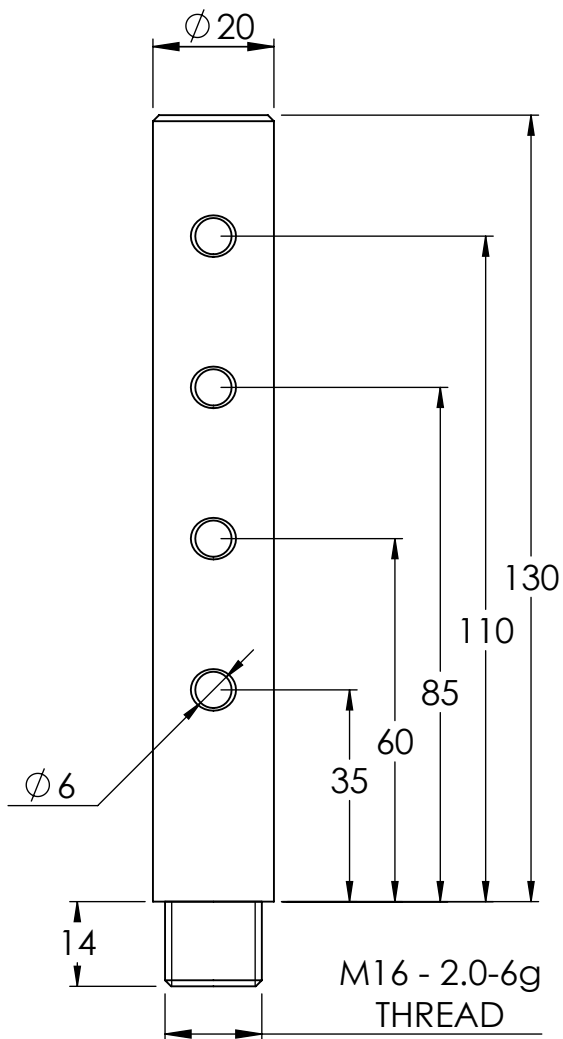
Material	Mild Steel Q235
Finish	Galvanise to BS EN ISO 1461
Weight	25.00 kg

Technical Datasheet No: 0012

DWA101/6 LOCATION PIN

Part No: DW1016010

Short Part No: DWA101/6



APPLICATION

Locates the position of the standard weights. The locating pins screw into the central tapped hole of each rubber coated base weight. Four drilled holes are provided at the top (unthreaded) end of the pin. Insert the securing pin into the lowest possible hole according to the number of weights being used.

COMPONENT SPECIFICATION

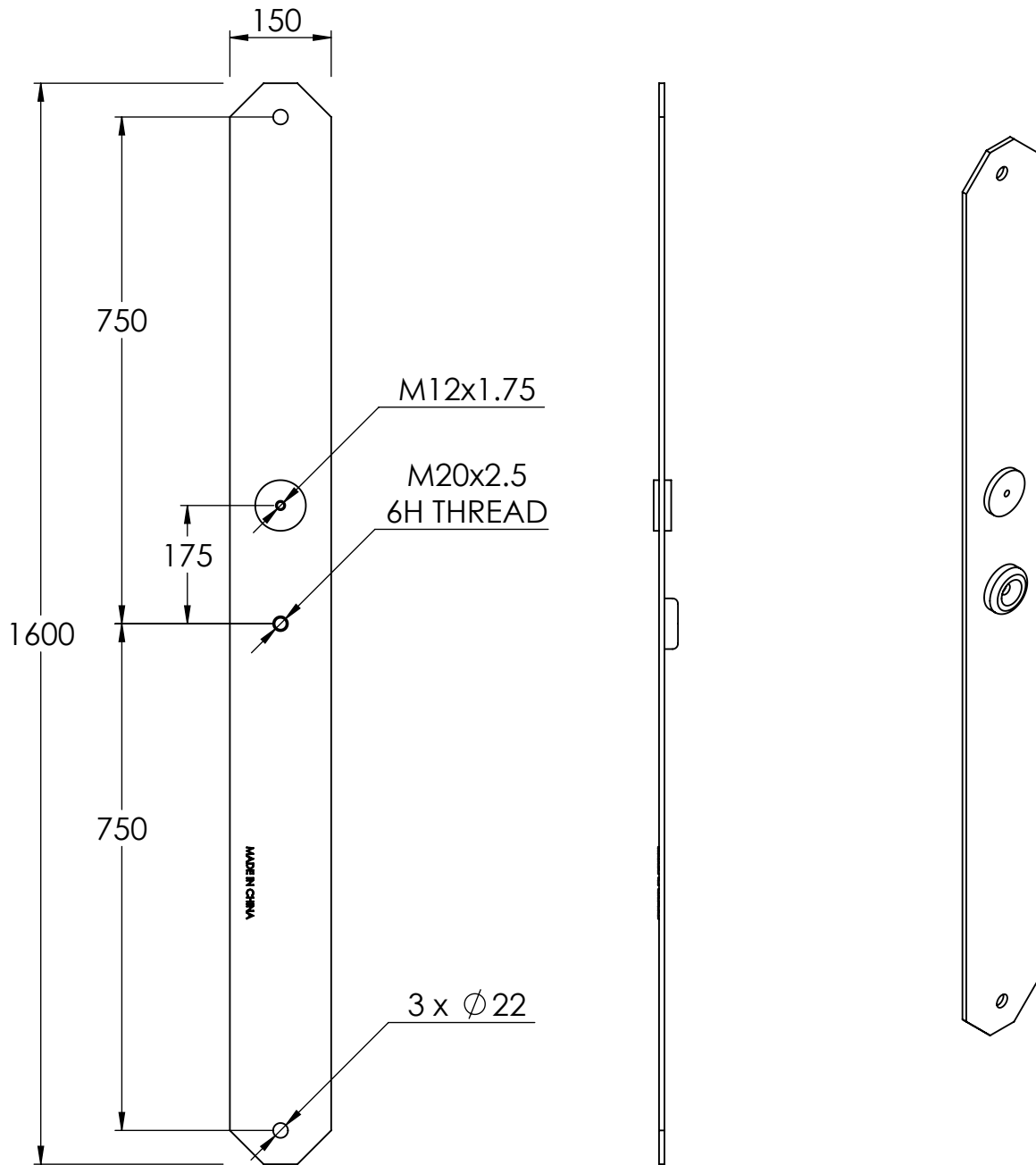
Material	Mild Steel 230M07
Finish	Galvanise to BS EN ISO 1461
Weight	0.32 kg

Technical Datasheet No: 0013

DWA101/5B BOTTOM CROSS ARM & NUT

Part No: DW1015B10

Short Part No: DWA101/5B



APPLICATION

To attach the base weights Length = 1600 mm; Bottom cross arm has threaded spreader plate to accept the pedestal fixing bolt. The bottom cross arm has a second tapped hole and spreader plate which is only utilised when the Weightanka is used in conjunction with Kee Anchor Accessanka.

COMPONENT SPECIFICATION

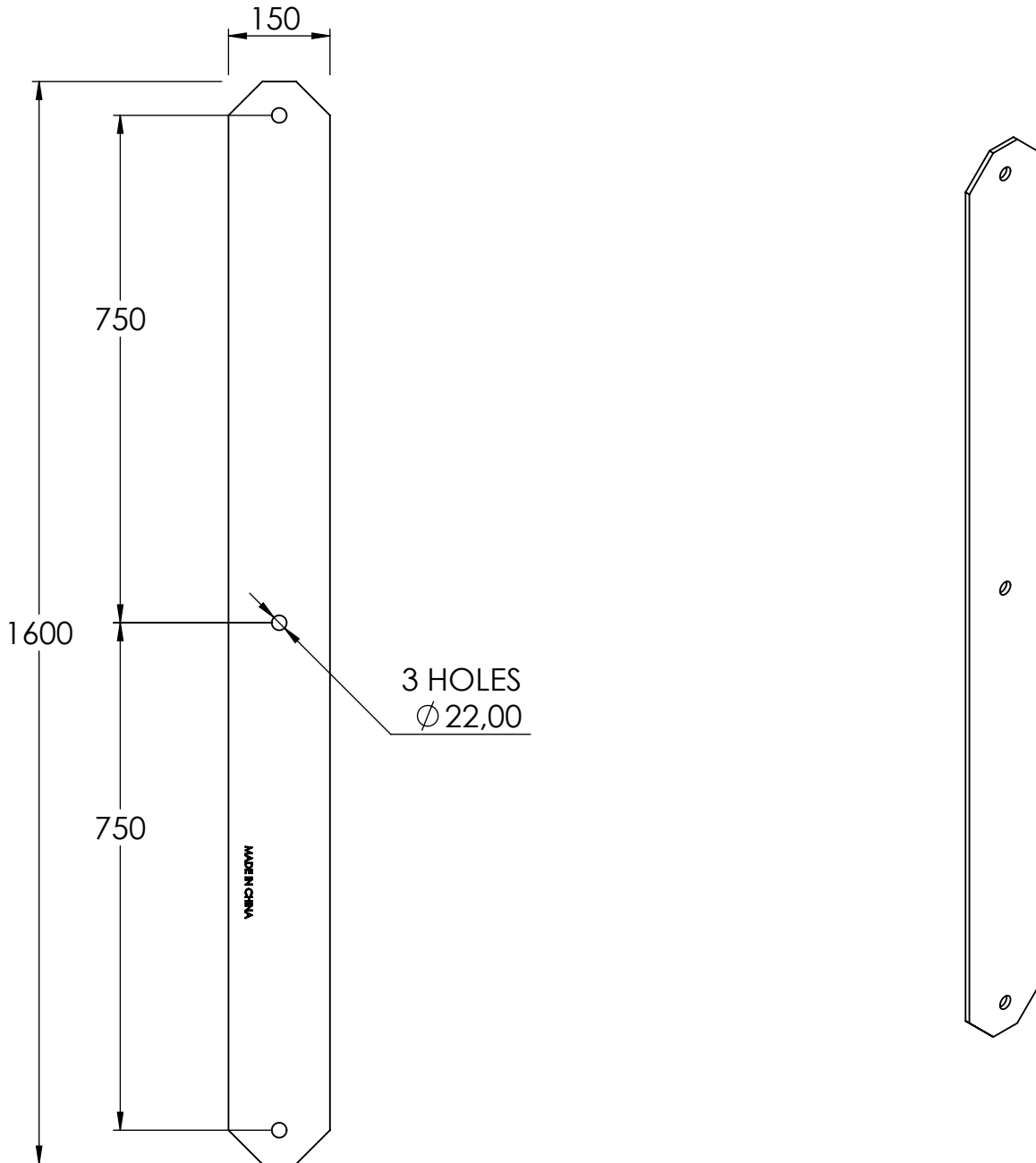
Material	Mild Steel 230M07 / S275
Finish	Galvanise to BS EN ISO 1461
Weight	15.77 kg

Technical Datasheet No: 0014

DWA101/5T - TOP CROSS ARM STRIP

Part No: DW1015T10

Short Part No: DWA101/5T



APPLICATION

To attach the base weights Length = 1600 mm. Top cross arm does NOT have threaded spreader plate to accept the pedestal fixing bolt.

COMPONENT SPECIFICATION

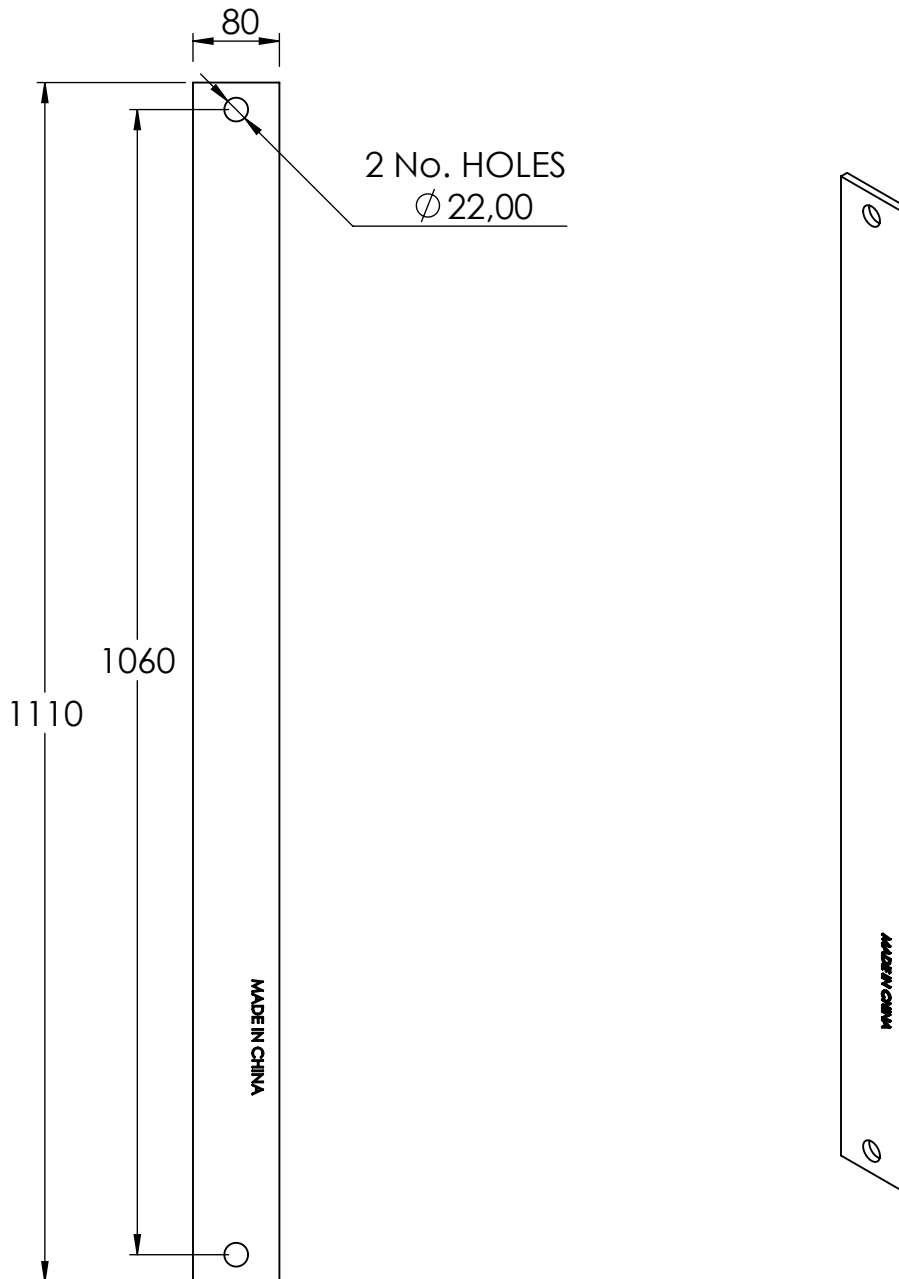
Material	1.0025 (S275)
Finish	Galvanised to BS EN ISO 1461
Weight	14.60 kg

Technical Datasheet No: 0015

DWA101/4 - STABILISER ARM FOR DEADWEIGHT

Part No: DW1014010

Short Part No: DWA101/4



APPLICATION

To attach the base weights Length = 1100 mm; Placed on top of adjacent rubber coated base weights prior to fitting top and bottom cross arms.

COMPONENT SPECIFICATION

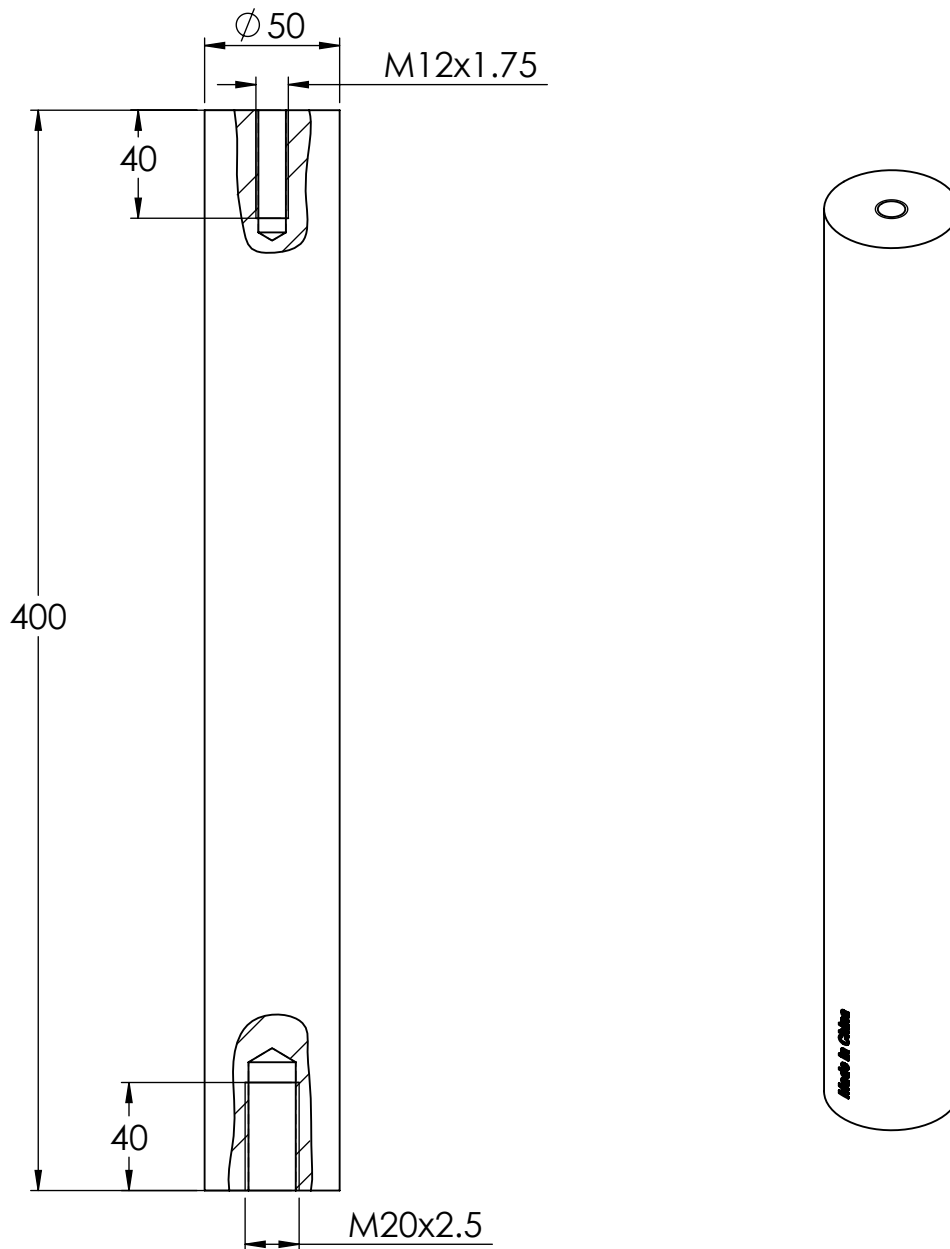
Material	Mild Steel 230M07
Finish	Galvanised to BS EN ISO 1461
Weight	5.50 kg

Technical Datasheet No: 0016

DWA101/8/1 - WIREANKA PEDESTAL M12

Part No: DW1018110

Short Part No: DWA101/8/1



APPLICATION

The central pedestal provides a raised position for the attachment point, thus increasing the performance of the system. The lower end of the central pedestal has an M20 threaded hole to accept the socket screw. The upper end of the pedestal has an M12 (or M16) tapped hole to accept proprietary line fittings.

COMPONENT SPECIFICATION

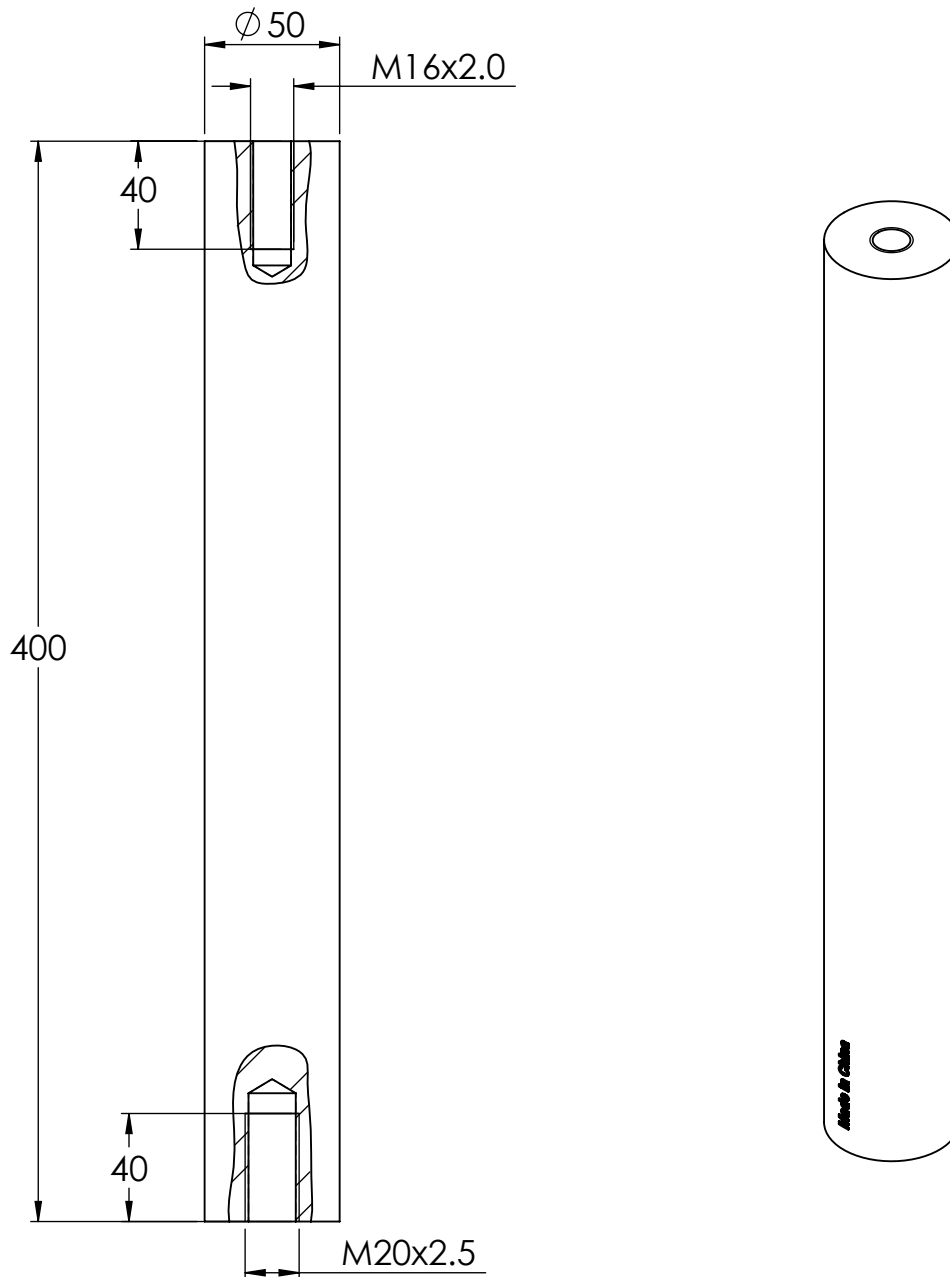
Material	Mild Steel 230M07
Finish	Galvanised to BS EN ISO 1461
Weight	6.00 kg

Technical Datasheet No: 0017

DWA101/8/2 - WIREANKA PEDESTAL M16

Part No: DW1018210

Short Part No: DWA101/8/2



APPLICATION

The central pedestal provides a raised position for the attachment point, thus increasing the performance of the system. The lower end of the central pedestal has an M20 threaded hole to accept the socket screw. The upper end of the pedestal has an M12 (or M16) tapped hole to accept proprietary line fittings.

COMPONENT SPECIFICATION

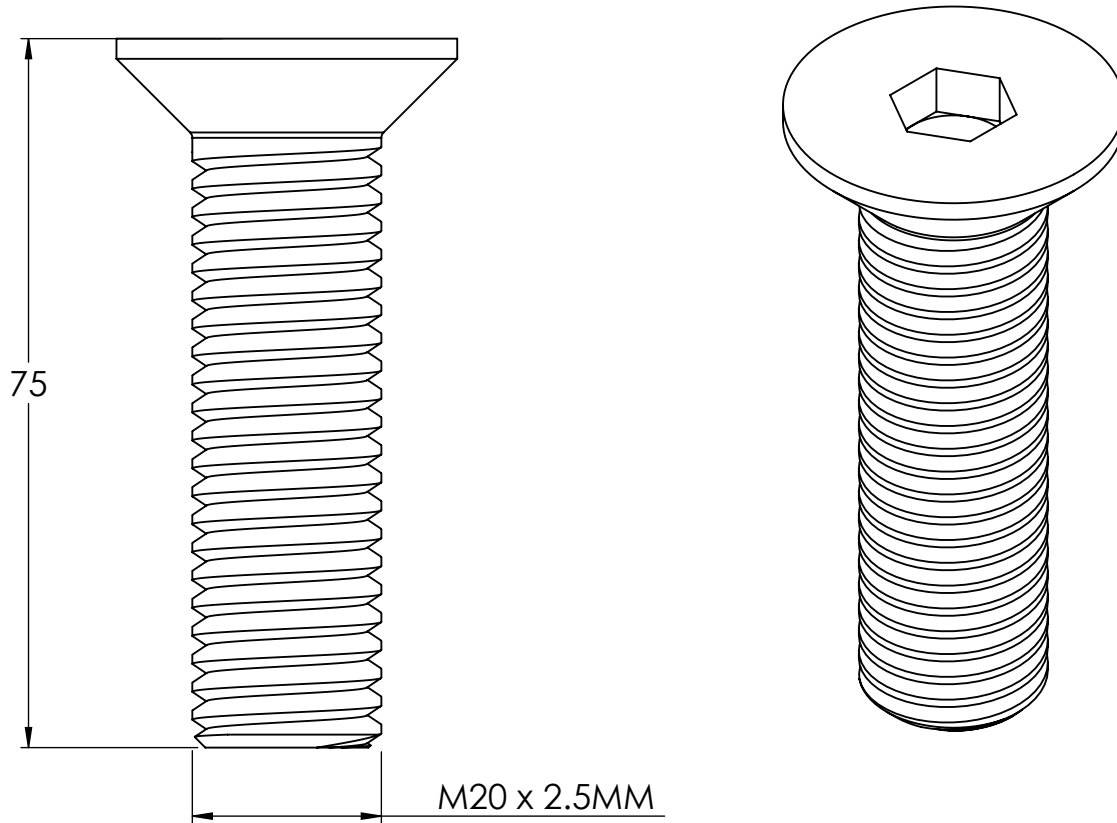
Material	Mild Steel 230M07
Finish	Galvanised to BS EN ISO 1461
Weight	5.98 kg

Technical Datasheet No: 0018

DWA-BOLT20 - M20X75MM BZP C/SK SOCKET SCREW

Part No: DWM207570

Short Part No: DWA-BOLT20



APPLICATION

Used to attach the central pedestal to the cross arm assembly. The socket screw is screwed through the bottom cross arm such that it passes through the spreader plate BEFORE passing through the bottom cross arm, and such that the countersunk head of the socket screw seats into the countersunk section of the spreader plate.

COMPONENT SPECIFICATION

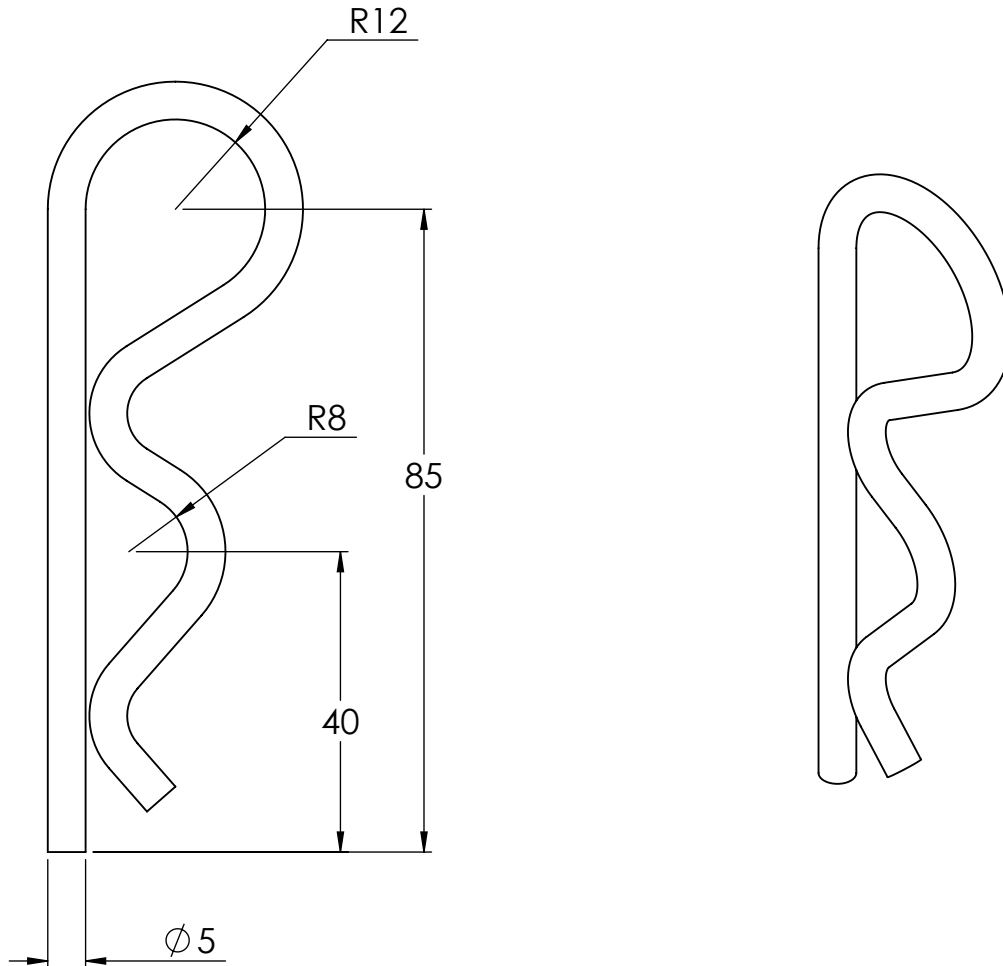
Material	Mild Steel - 070M20
Finish	Zinck Plated
Weight	0.19 kg

Technical Datasheet No: 0019

DWA-CLIP CLIP FOR WEIGHT LOCATING PIN

Part No: DWACLPO10

Short Part No: DWA-CLIP



APPLICATION

'R' clip type securing pins used to prevent accidental release of the standard weights from the Weight Locating Pins. Fit the securing pins into the first visible hole of the weight locating pin nearest to the top standard weight.

COMPONENT SPECIFICATION

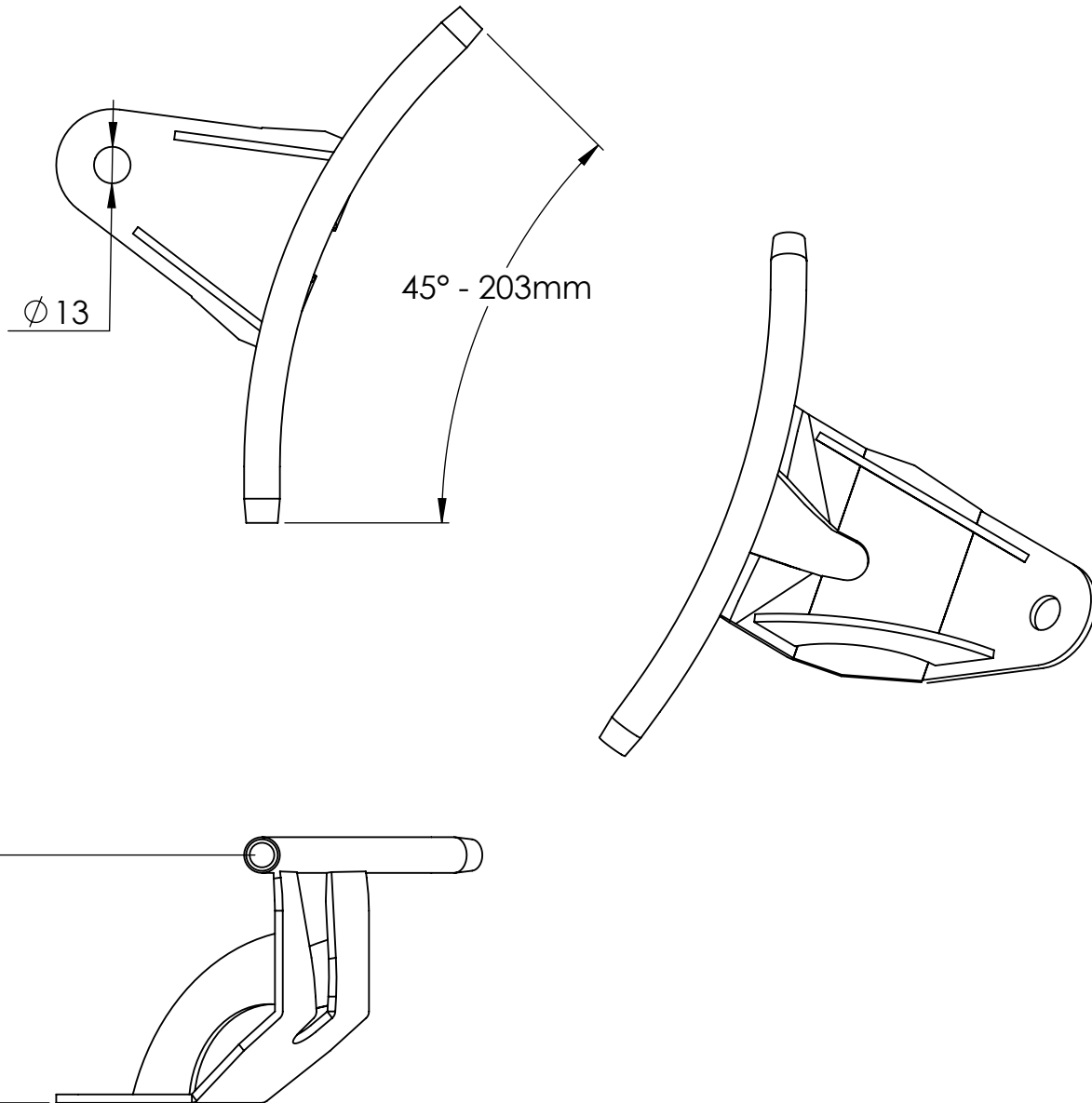
Material	Stainless Steel AISI 316L
Finish	Electropolished
Weight	0.04 kg

Technical Datasheet No: 0020

45CNR - ROOF MOUNTED CORNER - 45 DEGREES

Part No: LAKL20045

Short Part No: 45CNR



APPLICATION

Allows the system to turn through 135° Other angles can be achieved via cutting the tube in order to form the required angle.

COMPONENT SPECIFICATION

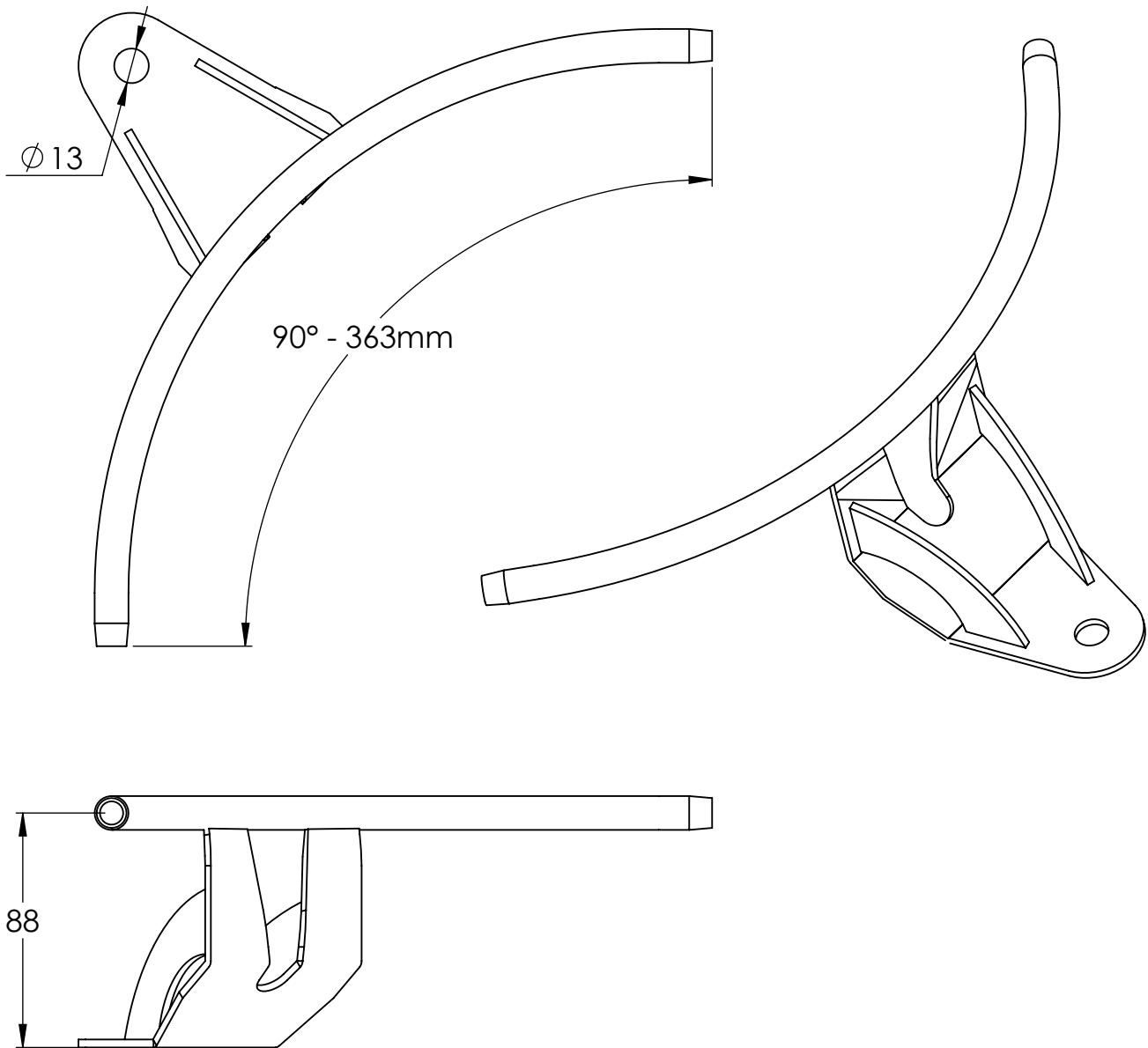
Material	Stainless steel AISI 316L. $\phi 13.5\text{mm}$
Finish	Electropolish
Weight	0.39 kg

Technical Datasheet No: 0021

90CNR - ROOF MOUNTED CORNER - 90 DEGREES

Part No: LAKL20090

Short Part No: 90CNR



APPLICATION

Allows the system to turn through 90°. Other angles can be achieved via cutting the tube in order to form the required angle.

COMPONENT SPECIFICATION

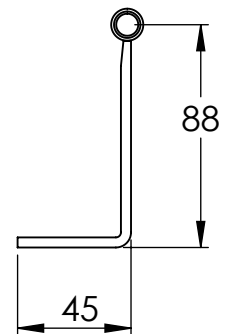
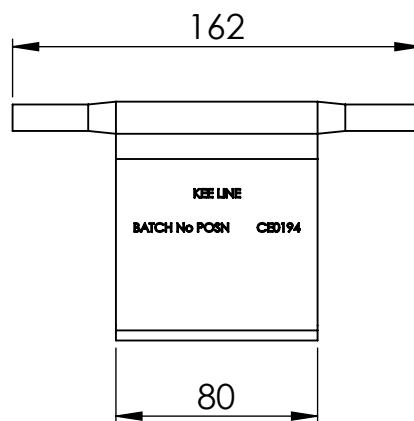
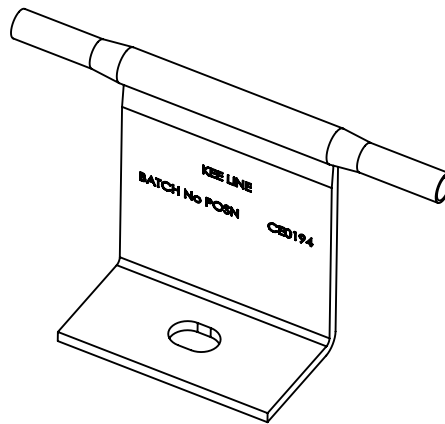
Material	Stainless steel AISI 316L. ϕ 13.5mm
Finish	Electropolish
Weight	0.46 kg

Technical Datasheet No: 0022

INTW010 - KEELINE INTERMEDIATE BRACKET FOR STRUCTURES

Part No: LAINT0010

Short Part No: INTW010



APPLICATION

Designed to allow the Traveller to pass over the brackets without detaching from the system. Maximum span of 15m between Intermediate Brackets.

COMPONENT SPECIFICATION

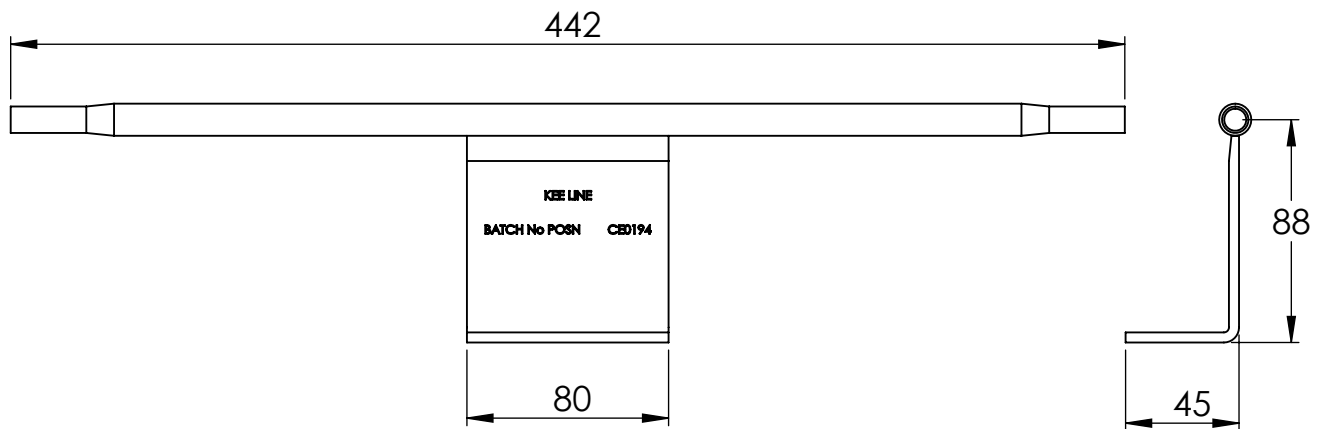
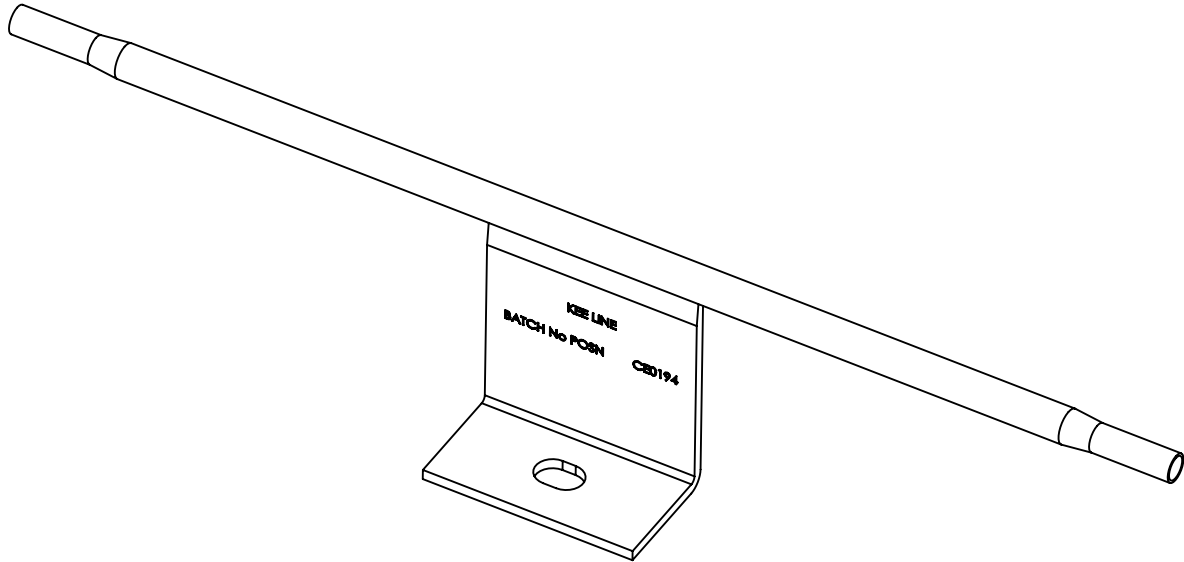
Material	Stainless steel AISI 316L Breaking strength >12kN.
Finish	Electropolish
Weight	0.49 kg

Technical Datasheet No: 0023

INTEW010 - KEELINE EXTENDED INT BRACKET FOR STRUCTURES

Part No: LAINTEXT0

Short Part No: INTEW010



APPLICATION

Designed to allow the Traveller to pass over the brackets without detaching from the system. Maximum span of 15m between Intermediate Brackets.

COMPONENT SPECIFICATION

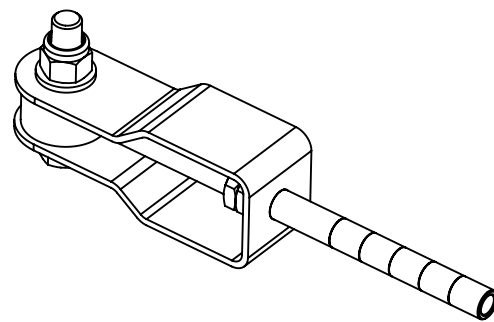
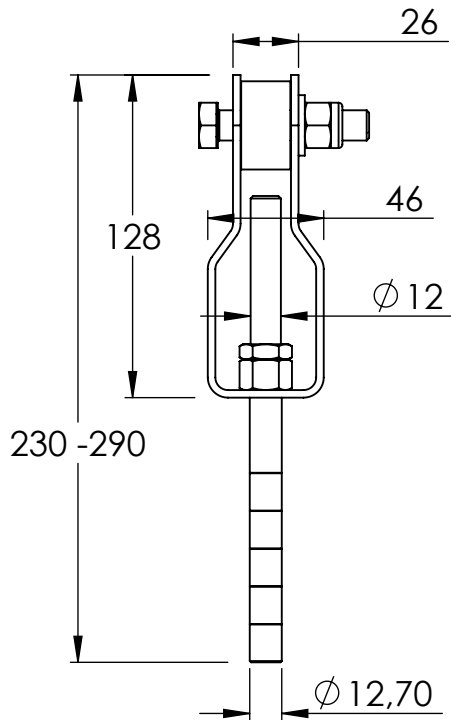
Material	Stainless steel AISI 316L Breaking strength >12kN.
Finish	Electropolish
Weight	0.63 kg

Technical Datasheet No: 0024

LINE-WAEXT - LINEANKA EXTREMITY FITTING

Part No: LAB010010

Short Part No: LINE-WAEXT



APPLICATION

The pretension is a way of instantly adjusting and the correct tension of the life line cable.

COMPONENT SPECIFICATION

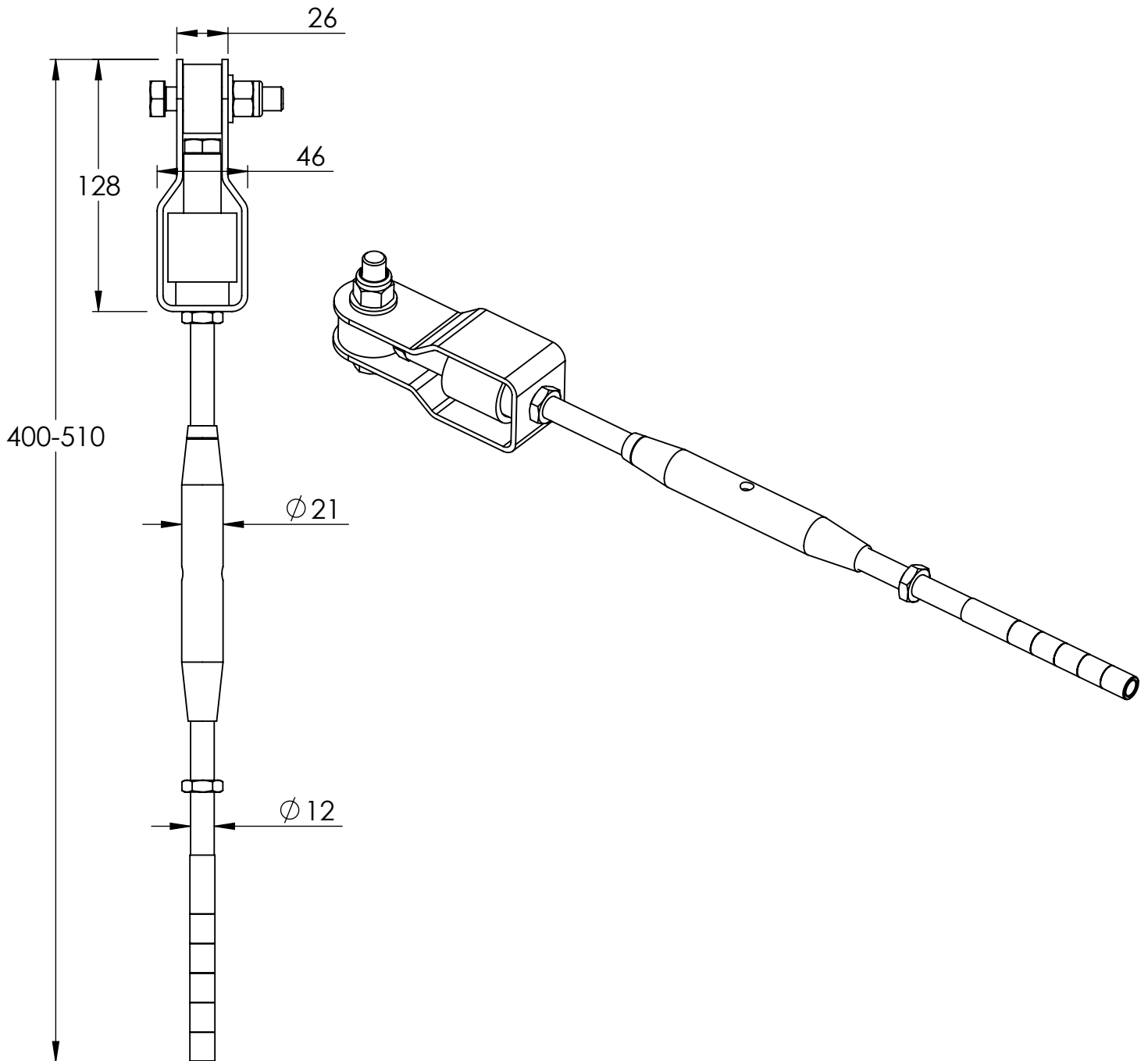
Material	Stainless steel AISI 316L
Finish	Electropolished
Weight	1.07 kg

Technical Datasheet No: 0024

TENS10 - KEELINE TENSIONER

Part No: LATENS010

Short Part No: TENS10



APPLICATION

The pretension indicator is a way of instantly adjusting and checking the correct tension of the life line cable. The Tension Indicator (red) is set to 1kN for horizontal systems.

COMPONENT SPECIFICATION

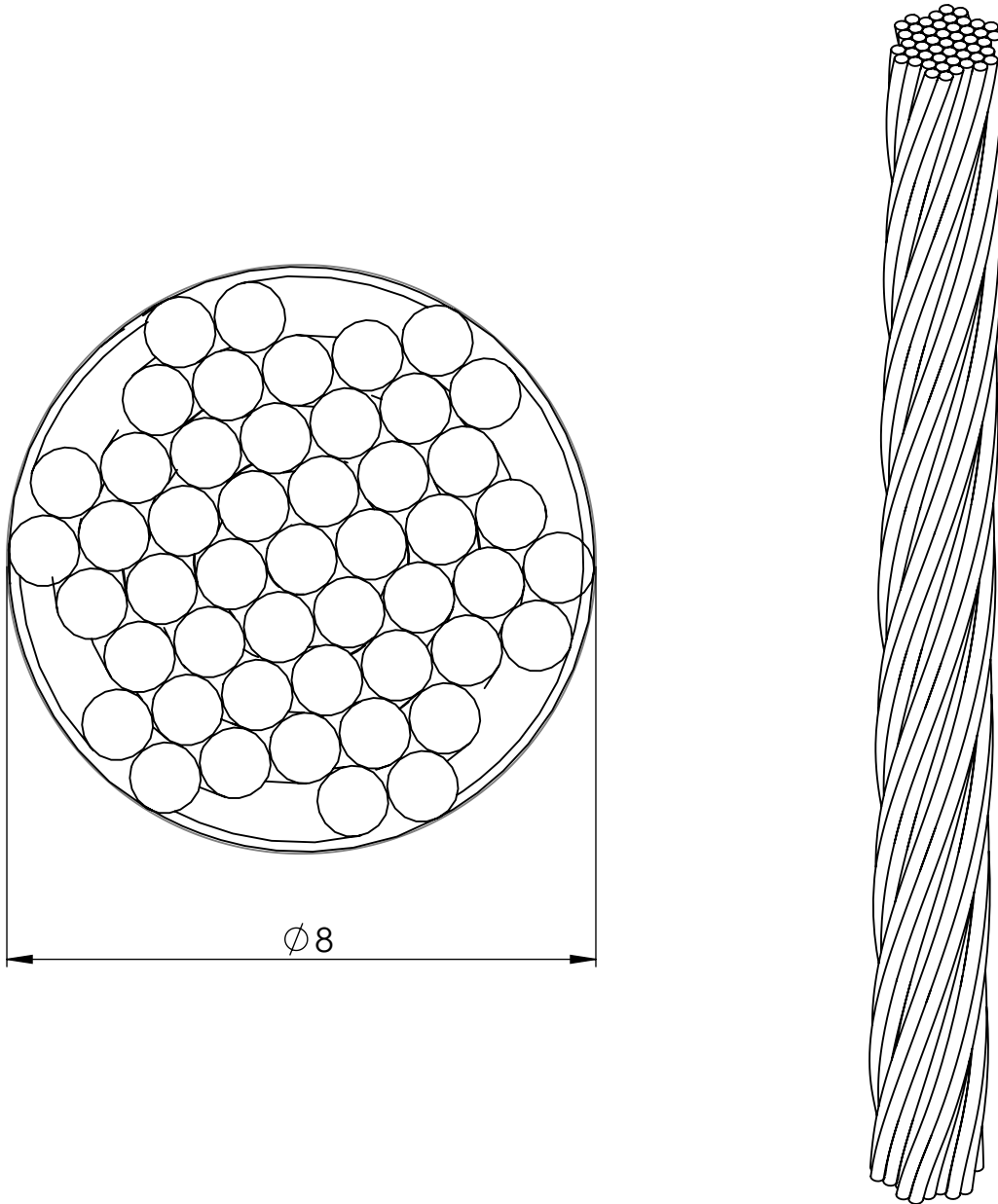
Material	Stainless steel AISI 316L Breaking strength >22kN.
Finish	Electropolished
Weight	1.07 kg

Technical Datasheet No: 0025

ROPE8SS7X7 - 8MM DIA ST/ST WIRE 7X7

Part No: LAR877050

Short Part No: ROPE8SS7X7



APPLICATION

Stainless steel AISI 316L 8mm diameter 7x7 structure with breaking strength >37kN is suitable for spans of up to 15m horizontal & overhead up to 24m between Intermediate Brackets.

COMPONENT SPECIFICATION

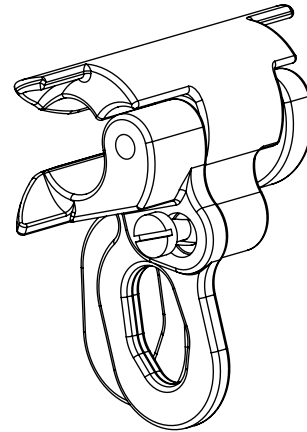
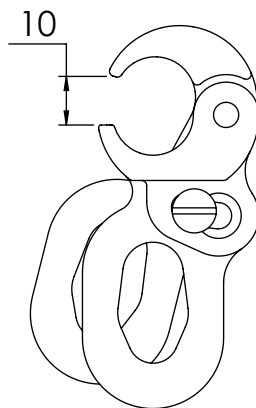
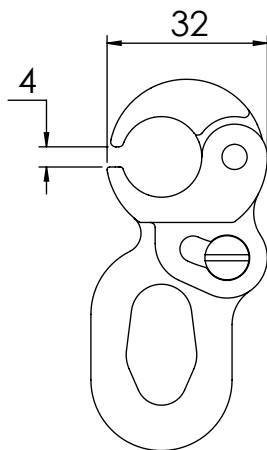
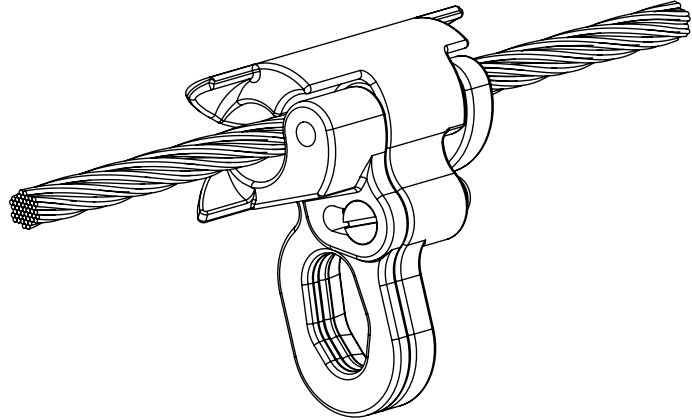
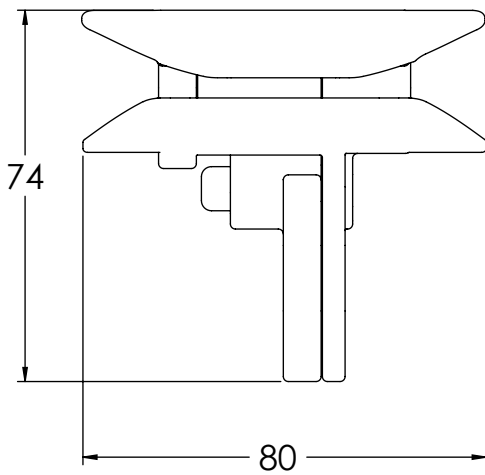
Material	Stainless Steel AISI 316L
Finish	Natural
Weight	0.03 kg

Technical Datasheet No: 0026

LINE-MINI - KEELINE MINI TRAVELLER

Part No: LAT000M10

Short Part No: LINE-MINI



APPLICATION

Designed to enable the user to move easily and safely along the Life Line. When mounted at roof level the user can move either side of the cable. A spring loaded pin fastens the Traveller on to the Cable. The connector is attached to the Traveller, thus locking the Traveller onto the Cable. The Traveller can be connected and disconnected at any point along the system.

COMPONENT SPECIFICATION

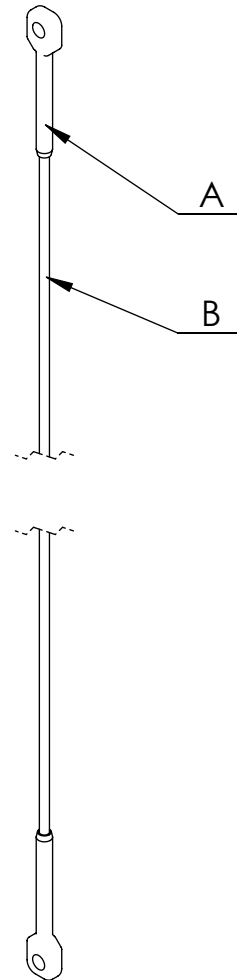
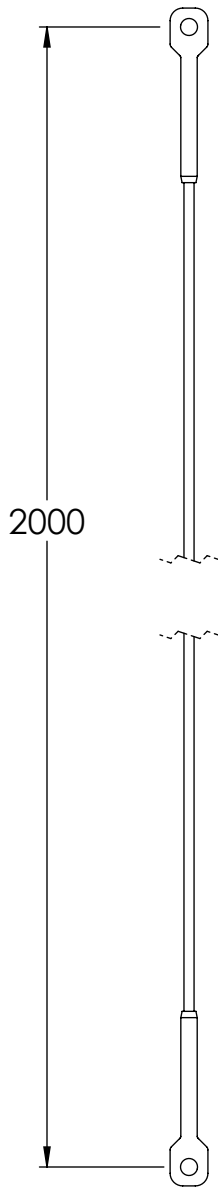
Material	Stainless steel Z8CND17 04 Breaking strength 12kN.
Finish	Electropolished
Weight	0.33 kg

Technical Datasheet No: 0027

DWA102-3 - EXTREMITY CONNECTING KIT

Part No: DW1023010

Short Part No: DWA102-3



A	LAKL2HEX8 - HEX-END - SWAGE END FITTING (2-OFF)
B	LAR877050 - ROPE8SS7X7 - Ø8MM ST/ST WIRE 7X7 (2M-OFF)

APPLICATION

Extremity / Corner Wireanka units must be installed in situation where two users are to work simultaneously in fall arrest situations, or more than three users simultaneously in restraint situations.

COMPONENT SPECIFICATION

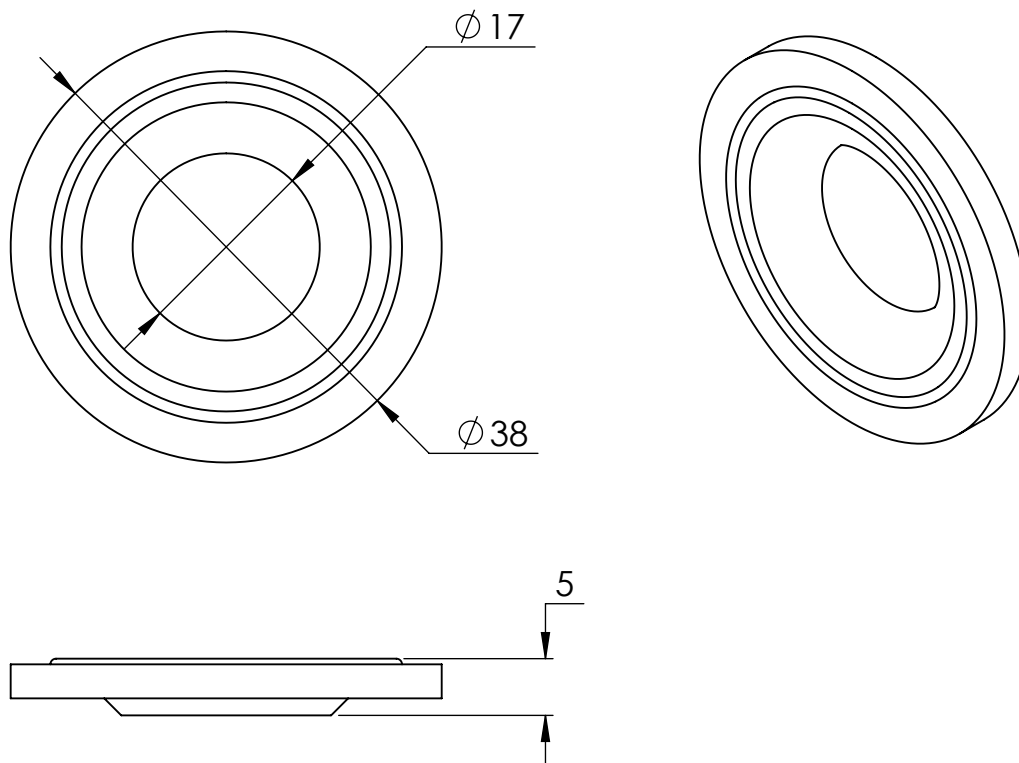
Material	Stainless Steel AISI 316L / Stainless Steel Wire
Finish	Electropolished / Self Colour
Weight	1.04 kg

Technical Datasheet No: 0029

POLYWASH - 38MM O.D. SEALING WASHER

Part No: PWH003840

Short Part No: POLYWASH



APPLICATION

Used to separate the dissimilar metals of the Galvanised post and the Stainless Wire Fittings

COMPONENT SPECIFICATION

Material	Nylon 101
Finish	Natural
Weight	0.05 kg

Technical Datasheet No: 0031

WIREANKA - EXTREMITY / CORNER PEDESTAL MASS



WEIGHTS REQUIRED ON VARIOUS ROOF SURFACES		
<u>EXTREMITY / CORNER PEDESTAL MASS</u>	QTY OF RUBBER WEIGHTS	QTY OF GALVANISED WEIGHTS
- Asphalt, Concrete - Mineral Felt - Stone Chippings Total Mass = 300kg	4	8
- Steel Clad Roofs Total Mass = 350kg	4	10
- Single Ply Membrane (FLAT, SMOOTH) Total Mass = 400kg	4	12
- Single Ply Membrane (EMBOSSSED) Total Mass = 500kg	4	16

APPLICATION

The 'mass' of Wireanka® units is determined by the type of use, i.e. FALL ARREST or RESTRAINT, the number of users, and the type of roof surface on which the system is installed. The minimum edge distance and minimum required free fall distance depends upon the span between Wireanka® units. The tables below and Figure 2 detail the safe conditions of use.

COMPONENT SPECIFICATION

Material	
Finish	
Weight	