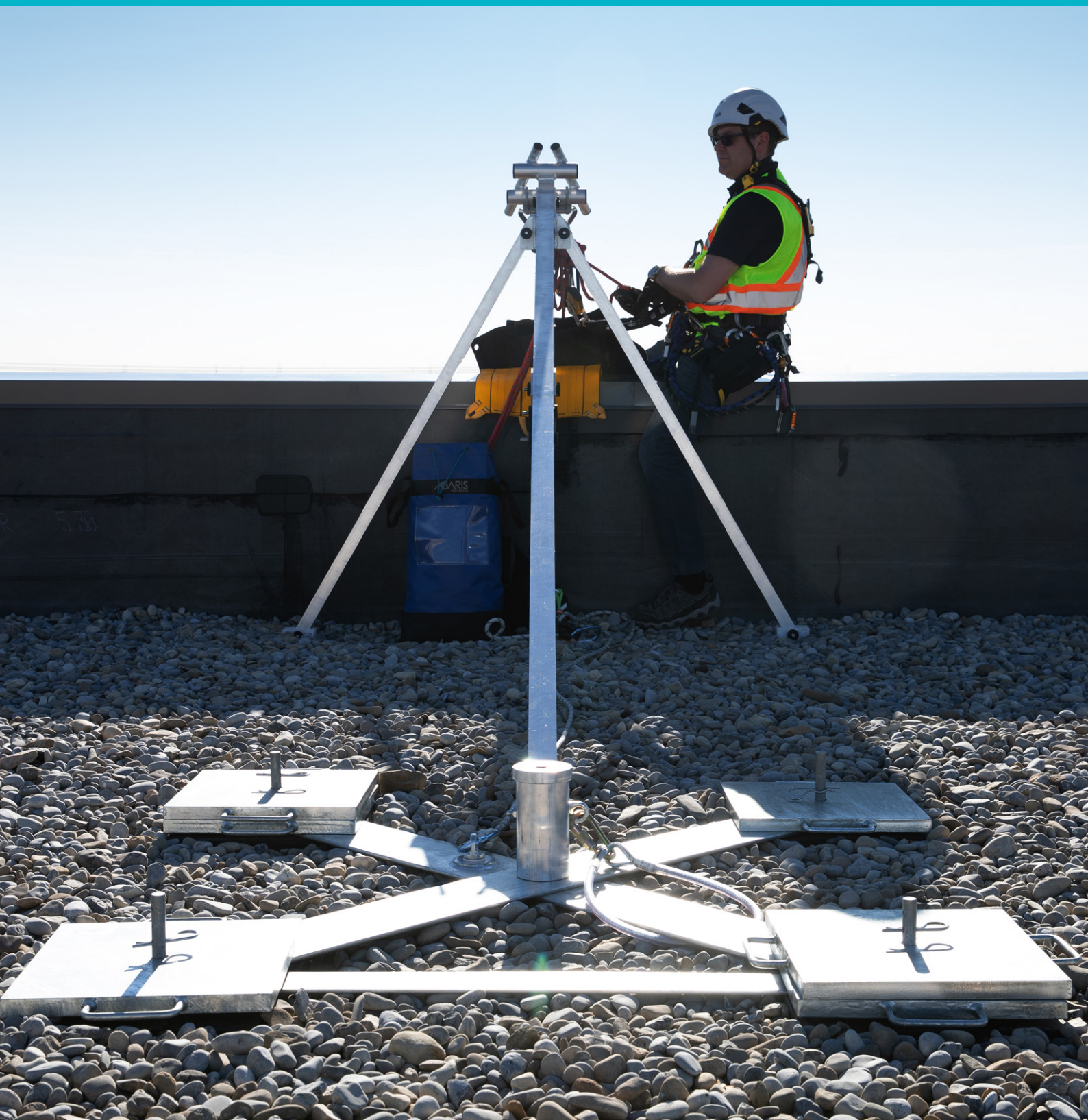


Kee Attach[®]

SAFETY AT THE HIGHEST LEVEL



Mobile Rope Access System





SAFE, RELIABLE & MOBILE ROPE ACCESS

Kee Attach® mobile rope access anchor allows you to quickly and safely deploy an abseil davit on a flat roof. Kee Attach utilises a counterbalanced anchor system to secure the system to the roof and eliminate the need for permanently installed anchor points.

The system assembles in minutes and can be moved around the roof or disassembled for storage. Designed and used by our IRATA-trained experts, this system is ideal for rope access professionals needing a deployable abseil anchor.

FEATURES THAT MATTER



Engineered by Experts

Development of the Kee Attach system is overseen by our own technical experts in the engineered rope access community. Their experience and engineering prowess have created a system suitable for global markets.



Global Compliance

Kee Attach has long been compliant for European markets. Recent reinforcements have made it compliant to North American standards, including: OSHA 29 CFR 1926.502 (d)(15), ANSI/ASSE Z359.18-2017 and CSA Z259.15-17.



Tested Reliability

The core Kee Attach system (formerly known as Accessanka) has been in place for over two decades. Updates for the North American market have driven a new level of testing in our world-class testing facility. All claims are not just calculated but tested.



Mobility

Moving the Kee Attach rope access system from place to place around the roof is simple. The weight is removed, and the system can be disassembled into seven core pieces. Reassembly takes minutes.



Non-Penetrating

Rope access has traditionally required physically connected anchors, which can be time-consuming and costly to install. Kee Attach eliminates this requirement by using weight and friction to secure the system to the roof.



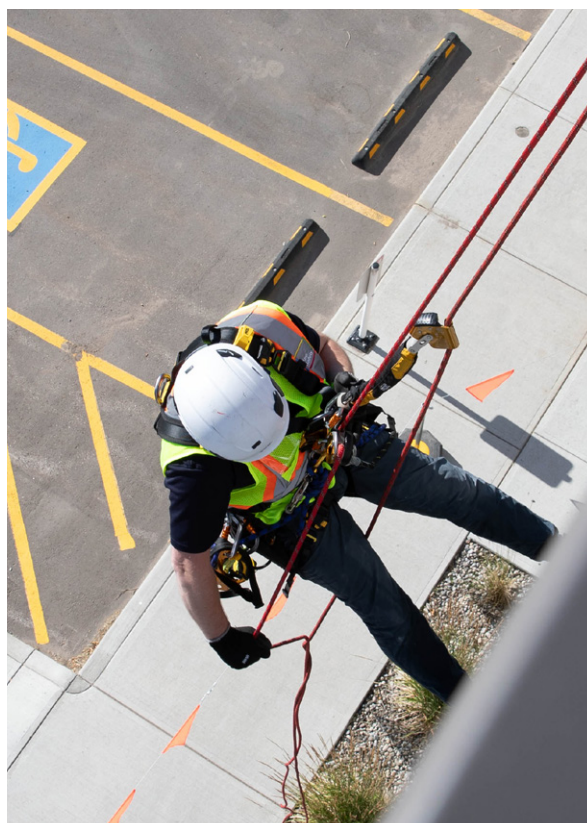
Quick & Easy Installation

It's simply installed with hand tools so there's no need to buy additional equipment.

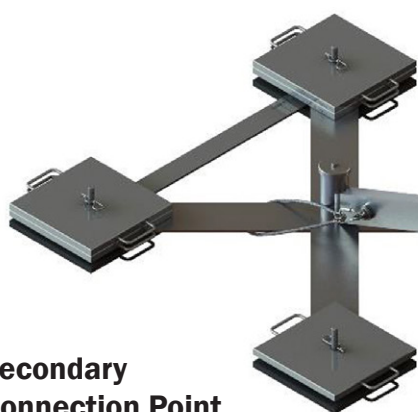
STAY ANCHORED TO SAFETY

The Keel Attach mobile rope access anchor is a single-user product solution designed to abseil building façades. It incorporates a paired anchor device for use in rope access operations following the Industrial Rope Access Trade Association (IRATA) International Code of Practice and/or BS 7985 - Code of Practice for the use of rope access methods for industrial purposes.

- › When correctly assembled, Keel Attach provides an ‘internally force-balanced’ system that does not require attaching to the roof or other structures.
- › The Keel Attach system is intended for one user plus tools to a max 136 kg SWL.
- › Keel Attach is suitable for rope access systems as qualified above. The combination is not intended as an anchor device for general fall arrest systems.
- › Keel Attach is suitable for use in locations where there are no suitable permanent anchors for the attachment of Personal Fall Protection Equipment (PFPE) utilised to perform rope access operations.



SYSTEM COMPONENTS



Secondary Connection Point

Provides a secondary connection between the arm and the base.

Middle and Front Brace

Additional middle and front braces enable the force to be loaded into the roof, achieving current compliance standards.

Front anchor

Attached to the front anchor are 2 single point anchors providing independent connection points.



HIGHEST STANDARDS FOR ACCESS SAFETY

Kee Safety's dedication to superior safety and reliability is embodied in Kee Attach, thanks to our meticulous design and testing regimen. Our in-house team of structural engineers leverages cutting-edge techniques within our advanced testing facility to ensure Kee Attach meets and exceeds relevant international fall protection standards.

Compliance

- › EN795:2012 Type B - Personal Fall Protection Equipment. Anchor Devices
- › BS8610:2017 - Personal Fall Protection Equipment. Anchor Systems
- › OSHA 29 CFR 1926.502 (d)(15) Fall Protection Criteria and Practices
- › ANSI/ASSE Z359.18-2017 Safety Requirements for Anchorage Connectors for Active Fall Protection Systems
- › CSA Z259.15-17 Anchorage Connectors

Certifying Body

- › Kee Attach was tested to the requirements of EN 795: 2012 Type B, and CE approval certification issued by Apave Exploitation France SAS
- › RCS Nanterre 903 869 618
- › Inspec International B.V. - the notified body ensuring compliance for EU & UKCA marking (Notified Body Number 2849)



CE 0082 Notified Body for Certification
UK CA 2849 Notified Body for Production Control



Kee Safety Limited
Cradley Business Park
Overend Road
Cradley Heath
West Midlands
B64 7DW
United Kingdom

Tel: +44 (0) 1384 632 188

Fax: +44 (0) 1384 632 192

Email: sales@keesafety.com

Web: www.keesafety.co.uk