



SAFETY AT THE HIGHEST LEVEL

## Kee Track® Fall Protection System







## STOP AN INJURY IN ITS TRACK

Falls from a height remain the leading cause of fatal accidents and serious injuries in the workplace. One of the primary culprits is a lack of suitable safety equipment.

The Kee Track® Fall Protection System (Kee Track®) is a rigid rail overhead track system. It offers the safety of short fall arrest distances with the ease, economy and flexibility of modular installation.

The unique range of mounting options ensures a secure installation for a wide variety of roof designs. It is particularly effective when users work at short free fall distances, such as carrying out operations on trains, trucks and aircraft with low ground clearances. Additionally, the lightweight trolley with sealed bearings allows complete hands-free movement throughout the system.

## THE SYSTEM THAT MAKES SENSE

### Easier installation

Unlike other fall arrest systems, Kee Track is designed for an easier and speedier installation. Your system can be specified through simple on-site measurements, and constructed with our off-the-shelf components. You'll be safely up and running with the least interruption to your schedule.

### Built to last

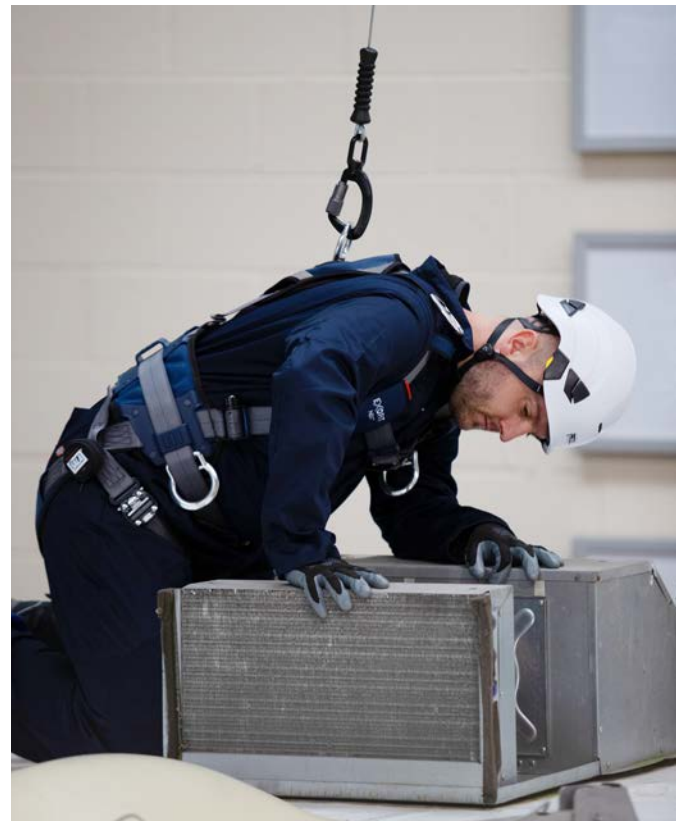
With standard usage and annual maintenance, Kee Track is designed to last up to 25 years. The steel is galvanised to EN ISO 1461 standard. This protective barrier provides a long life and, if required, allows the system to be installed outside.

### Less expense

Rigid rail systems are less susceptible to degradation and need less maintenance than other systems. This saves money by reducing downtime and interruptions. What's more, the simplicity of Kee Track allows for full safety compliance with minimal training\*, ensuring productivity and safety are kept to a maximum.

### A safer system

The Kee Track system's rigid track stops a fall with a shorter drop. This reduces the chance of worker injury and damage to sensitive equipment. The system also eliminates the pendulum effect that can tug at other workers on the system and cause further damage or injury.



### Peace of mind is Kee®

Safety is one area where no company can afford to go wrong. Kee Track was designed and created by professional engineers and is backed by a global network of support. Rigorous testing to global standards has been completed in our internationally recognised test facility.

\* Please refer to the Operation & Maintenance manual for safe use of Kee Track.

# WHY CHOOSE KEE TRACK?

There are several track systems available but Kee Track offers distinct advantages that make it the preferred choice.

## Quicker to fit

Kee Track can be fitted using standard tools and lifting devices. No welding equipment is required. A typical system can be up and running in a day, ensuring less down time and minimal disruption to productivity.

## Greater flexibility

Many overhead safety systems require expensive engineering or offer limited flexibility due to their size. Overhead electrical, plumbing and ventilation systems can limit their scope and effectiveness. Unlike engineered systems, Kee Track has been designed to be attached to existing roof purlins and secondary steel.

## Multiple users

A majority of fall protection systems allow a maximum of two, sometimes three users at any one time. But Kee Track can be configured for up to four users (with a maximum of 140kg per user). If you're up against a tight deadline and you need more hands to get the work done, Kee Track is the choice.

## Future-proof installation

Change is constant. When you need to rearrange your working environment, Kee Track can be adapted to fit in. Unlike engineered systems, the modular design can be moved and re-configured.

## Rigorously tested

Peace of mind is priceless, especially when safety is concerned. Like all Kee Safety products, Kee Track has been developed in consultation with experts who have decades of experience in the field of fall protection. Overseen by members of global safety committees, Kee Track has undergone extensive testing to the following recognised standards:

- EN 795: 2012 / CEN TS 16415:2013 (anchor devices intended for one or more users simultaneously)
- BS 8610:2017 (anchor systems intended for one or more users simultaneously)
- OSHA 29 CFR 1910.140 & 1926.502 (performance, care, and use criteria for all personal fall protection systems)

# TRACK AND CABLE SYSTEMS COMPARED

TRACK	CABLE
Stops a fall with a shorter drop. This can be critical when working on sensitive equipment.	Falls can cause a "V" deflection with potential of user injury and equipment damage.
More initial expense but requires less maintenance and replacement over time.	Less initial expense but subject to more wear and tear, and requires more frequent inspections.
Potential for multiple users to work simultaneously.	Usually limited to a maximum of three users at any one time.
Restricted to straight line installation.	Can flow around corners and up and down height deviations.





## IS KEE TRACK RIGHT FOR YOUR INDUSTRY?

More often than not, floor space is precious. The Kee Track system's roof mounted low-profile rails maintain an open floor plan for production, storage and material handling while providing exceptional overhead fall protection.

The system complements warehouses and facilities with both high and standard roof heights. It requires no column supports and works around most roof infrastructures.

### Protecting your most valuable assets

Whenever the distance required to stop a fall is small, a track system should be utilised. A short fall distance is not only vital for protecting an individual, but also the equipment being worked on. A fall on equipment such as an aircraft wing or delicate manufacturing equipment can result in expensive repairs.



Aviation



Trackside



Transportation



Distribution



Repair Facilities



Manufacturing



Facade Maintenance

# HOW IS KEE TRACK INSTALLED?

After a site survey or a review of a building's drawing, a technician who is qualified in fall protection can configure and supervise the installation of your Kee Track system.

The system can be configured from a list of standard parts, consisting of the following:

- Rigid rails – supplied in 3m lengths for easy shipping
- Clamshell rail clamps to support the rigid rail
- Brackets and hangers to fix the system to the roof structure
- Splice components to join sections of rigid rail
- Travellers that run along the rail and attach to the user



Patent pending clamshell brackets are used to fix the rail to the hangers.



The clamshell brackets allow the rail to be lifted, instead of slid, into place.



A standard retractable fall arrest block attaches to this smooth-gliding traveller and acts like a seat belt to restrain a fall.

Assembly is done on site. All it takes is a team of two and suitable lifting equipment such as a mobile elevated work platform.

No additional bracing is needed. While other systems often require the installation of additional beams, Kee Track attaches to the purlins, and so only the included bracketry is required.

Multiple connections spread the weight of the system across a large area and minimises load on the building structure. For more technical information, please contact your Kee Safety representative.



## A solution for all types of roof

One of the main advantages of Kee Track is the unique range of mounting options. The system can be made secure to internal roof structures such as beams, trusses, and concrete. Where necessary, bespoke connectors can be supplied.

For primary and secondary steelwork: Kee Track works with the columns, rafters and bracing of primary steelwork, and the purlins of secondary steelwork.

Parallel or perpendicular: Up and down or side to side? Or both? Whichever way you organise your facility, the flexible mounting options ensure Kee Track is optimised to work the way you do.

No limits: Whatever the length and breadth of your roof, Kee Track can cover it. The only restriction is that the system is configured in straight lines.



Two installers using an elevated platform secure the rail to the roof infrastructure.

## KEE TRACK INSTALLATION AND WORKING DISTANCES

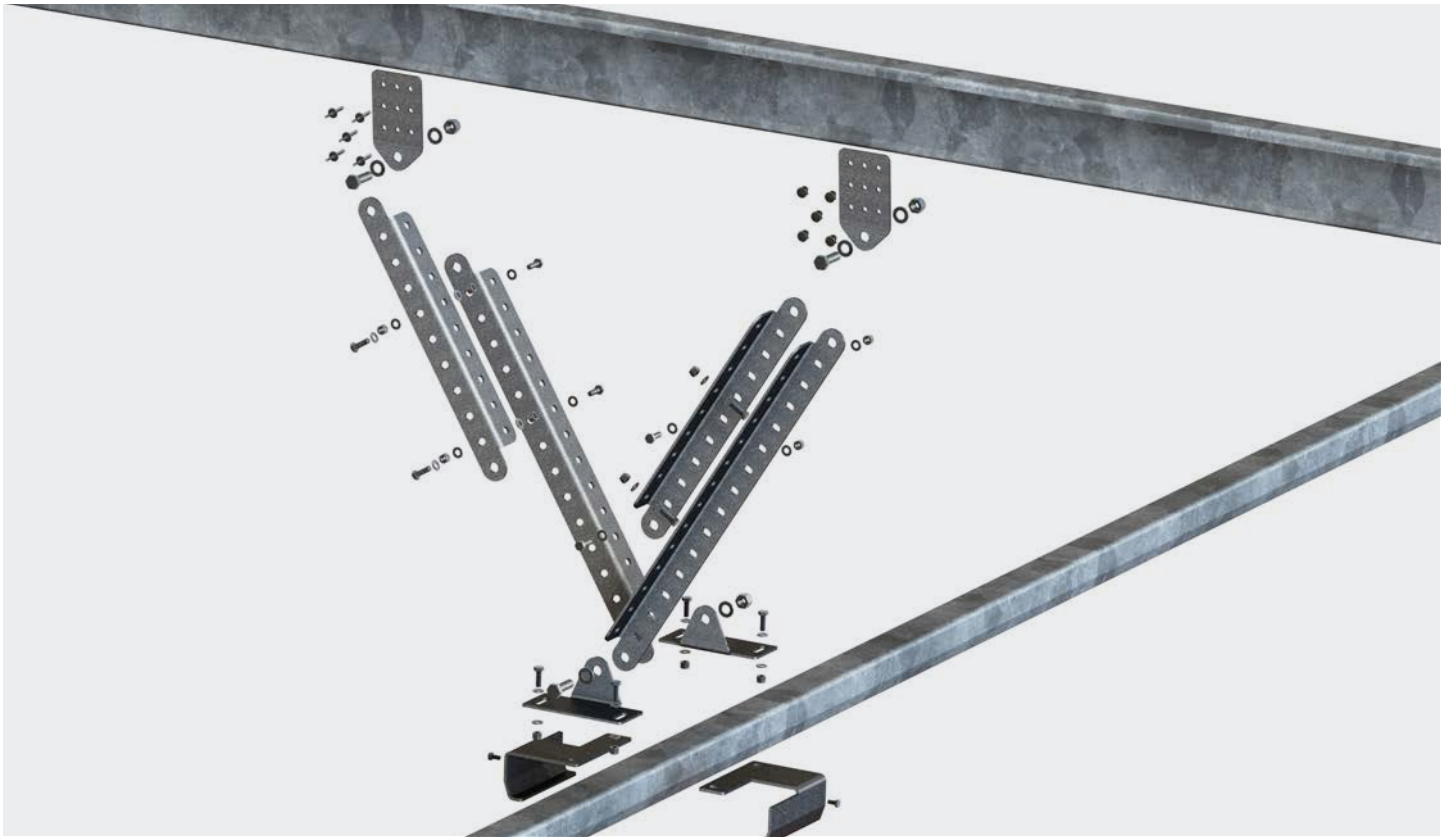
Track should be installed as high as possible but 0.5m / 19-5/8" below lowest support structure.

Minimum clearance distance from floor to work surface should be 2.0m / 6'6".

Minimum track height should be work surface height plus 2.5m / 8'2".

Maximum angle of deflection from vertical to work surface should not be greater than 30 degrees.

# COMPONENTS OF A KEETRACK SYSTEM



An exploded view of a perpendicular installation.



An example of a finished parallel installation.



## KEE TRACK AT A GLANCE

FEATURE	BENEFIT
Kee Track is a rigid rail track system	Reduces maintenance and replacement costs when compared to cable
Kee Track arrests a fall in a very short distance	Provides your users and equipment with superior protection
Kee Track is pre-engineered and quicker to install than more complicated engineered systems	Reduces downtime and disruption to the work of your facility
Kee Track is constructed from a small number of modular components	Minimises time your staff needs to specify the system
Kee Track is easy to use	Enhances safety by reducing the chance your employees will accidentally misuse the equipment
Kee Track is tested to global standards	Offers you peace of mind that your system has been tested and engineered to high standards, backed by a global brand

# SAFETY RECOGNISED AROUND THE WORLD



Keep Safety is a global provider of fall protection and safe access products, systems, training and consulting. Established in the UK in 1934, the range has expanded from our original Keep Klamp product into a portfolio of safety equipment.

We provide the highest level of safety solutions and products to every industry and niche around the world. No project is too big, no safety requirement too small.

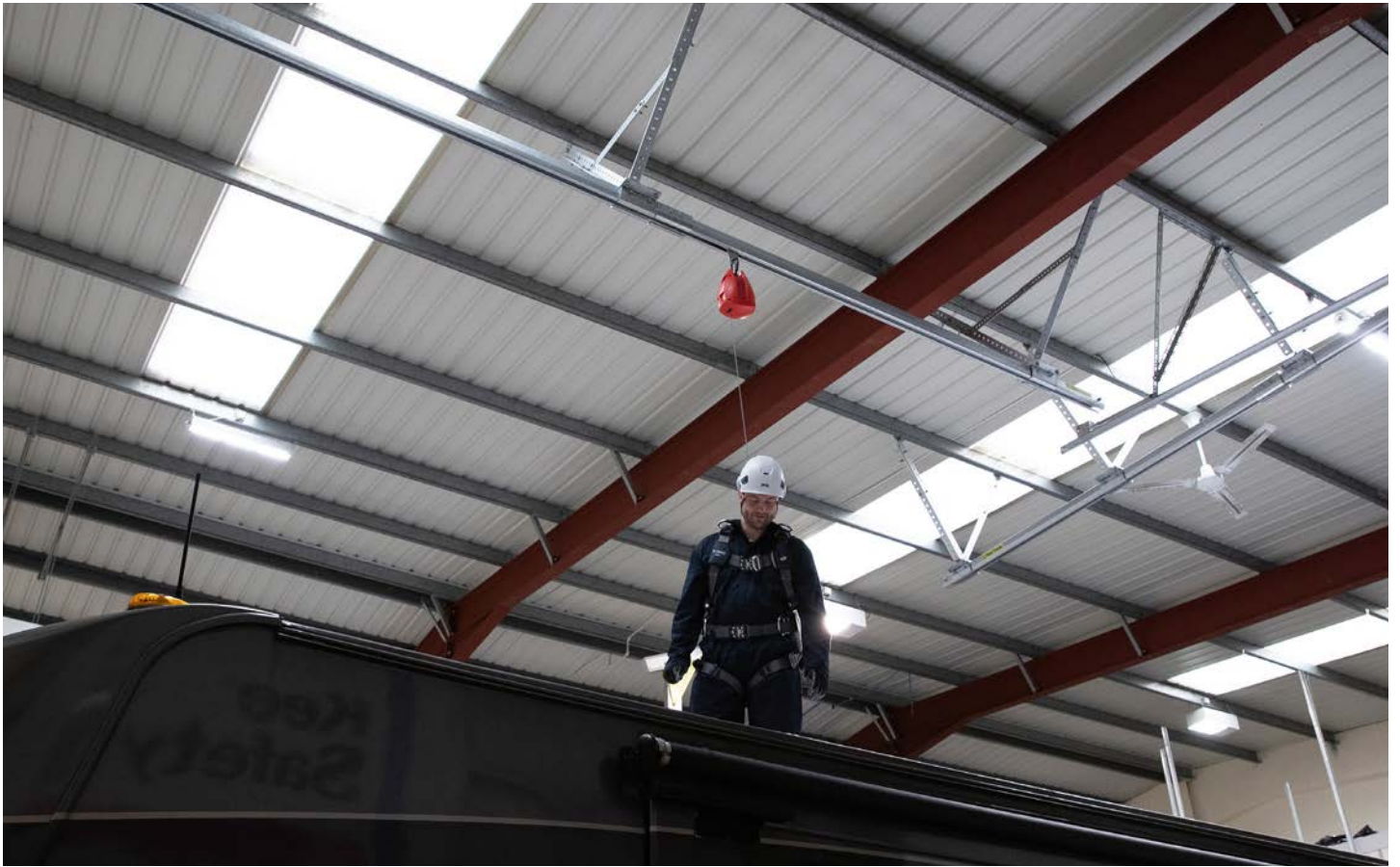
## Advanced testing facility

As the continued evolution and development of new product standards drives compliance across the globe, Keep Safety has ensured it remains at the forefront of global innovation by creating one of the world's leading test and training centres at its UK Head Office.

Run by a team of industry experts, this state-of-the-art facility ensures Keep Safety meets the needs of its customers, provides them with fully compliant products, and drives new innovation with the purpose of separating people from hazards.

The layout of the facility allows walls and roof structures to be built to mirror actual installations. This real-world testing gives clients total peace of mind as to exactly how the products will perform when installed. All tests are filmed, so Keep Safety has a visual record of performance in each environment and the test parameters to which an installation was subject.





### International recognition

Many customers require third party verification of test results for added reassurance that what they are buying is properly tested and complies fully with the recognised standards.

Kee Safety works with a number of internationally recognised test houses and a number of leading consultants during its development programmes to ensure it produces optimum products for our clients.

Kee Safety are actively involved and work on Global Standards Committees. In many instances our employees serve as Convenor or Co-Chair which ensures we are at the forefront of standards development, innovation, and implementation. Consequently, our experts are well placed to run in-house testing or bring third parties to our facility to witness our test programmes.



**Kee Safety Services and Systems India  
Private Limited**  
Kogilu Layout  
Bellahalli Main Road Yelahanka PO  
Bangalore – 560 064  
Karnataka, India

Tel.: +91 8454 878180  
Email: [indiasales@keesafety.com](mailto:indiasales@keesafety.com)  
Website: [www.keesafety.in](http://www.keesafety.in)