

## Alternate Base Options



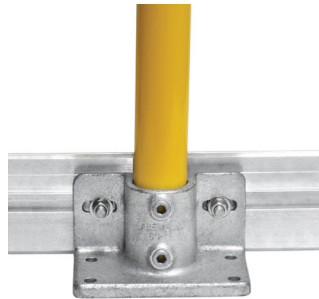
### Benefits of the Kwik Kit® System

- Meets or exceeds OSHA requirements for safety railings
- No welding, bending or threading on site
- Sections can be added and changed on site
- The visible advantage of Safety Yellow
- Modular versatile construction
- Installed with simple hand tools

### Features of the Kwik Kit® System

- Pre assembled uprights
- Utilizes reliable Kee Klamp® or Kee Lite® safety components
- Fitted with Kee Koat® corrosion protected grub screws and Thread Koat® recess protection
- Pipe outside diameter is 1.90"

	Corner Kit		Straight Kit		Extension Kit	
	Type	Weight (lb.)	Type	Weight (lb.)	Type	Weight (lb.)
Galvanized	Kwik SC	96	Kwik SS	96	Kwik SE	43
Aluminum	Kwik AC	50	Kwik AS	50	Kwik AE	25



### Toe Board Options

Toe board; Kee Klamp® Type 69. Meets OSHA's requirement for toe board. Stainless steel hardware included. Easy to install with no drilling or welding.



### Ground Socket Option

Ground Socket; Kee Klamp® Type 66. Designed for concrete installations where uprights are required to be removable. It incorporates a socket set screw fixing on top of flange and can be supplied with a plug to fill the hole when the pipe is removed.



## Installation Instructions



- PRE ASSEMBLED UPRIGHTS FOR QUICK INSTALLATION
- SAFETY YELLOW COATING FOR HIGH VISIBILITY
- MEETS OR EXCEEDS OSHA AND IBC STANDARDS
- AVAILABLE IN GALVANIZED STEEL OR ALUMINUM



Canada  
 Kee Safety, Ltd.  
 40 North Rivermede, Units 6-7  
 Concord, Ontario L4K 2H3  
 Tel: (905) 669 1494  
 Fax: (905) 669 4347  
 Toll Free: (877) 505 5003  
 www.keesafety.ca  
 Email: info@keesafety.ca

Kee Klamp, Kee Lite, Kee Stainless, Kee Guard, Kee Dome, Kee Hatch, Kee Mark, Kee Access, Kwik Kit, Beam Clamp, and Box Bolt are all registered trademarks of Kee Safety, Inc. While every effort has been made to ensure the accuracy of the information contained in this brochure, Kee Safety, Inc cannot be held responsible for any errors or omissions. Kee Safety, Inc. reserves the right to alter or withdraw products without prior notice. Kee Safety, Inc accepts no responsibility for any loss or damage arising from improper use of their products. Copyright 2018 Kee Safety, Inc. All Rights Reserved.

CSI 077200  
 August 2018



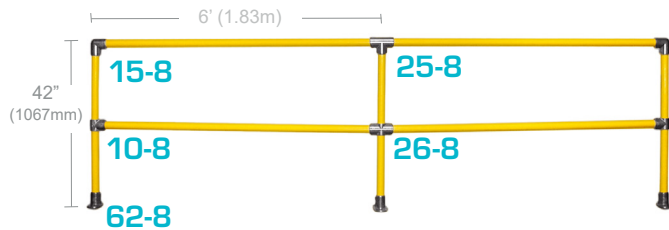
Independently tested to  
**OSHA Standard 29 CFR 1910.23**  
**Ontario OHS Act**  
**Meets ANSI Standards**

Kwik Kit® Safety Railing kits allow you to create a sturdy railing section that can stand the test of time. The kits do not require any welding or threading. Pre-assembled uprights make installation safe, fast, and easy.

## SS Straight Kit Installation Instructions

### Kit Includes:

- (3) prebuilt uprights including following:
  - (2) end uprights each containing (1) 15-8, (1) 10-8, (1) Rail
  - (1) intermediate upright containing (1) 25-8, (1) 26-8, (1) Rail
- (3) 62-8 Bases
- (4) Rails - 69" (1.75m) Tubing



### To Install:

1. Insert the 39-3/4" (1010mm) upright cuts into the base 62-8 fittings.
2. Insert the yellow 69" (1.75m) tubing into the 15-8, 10-8, 25-8, and 26-8 fittings
3. Tighten set screws on the fittings to 29 ft/lbs with a standard hex tool
4. Kits are secured using bolts or chemical anchors (not supplied by Kee Safety)

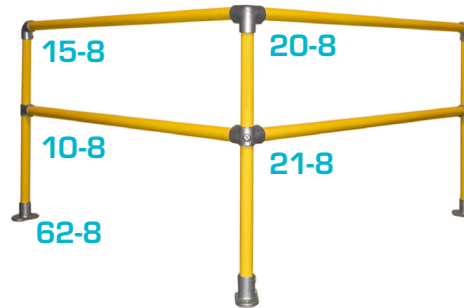
1.



## Corner Kit Installation Instructions

### Kit Includes:

- (3) prebuilt uprights including following:
  - (2) end uprights each containing (1) 15-8, (1) 10-8, (1) Rails
  - (1) corner upright containing (1) 20-8, (1) 21-8, (1) Rail
- (3) 62-8 Bases
- (4) Rails - 69" (1.75m) Tubing



### To Install:

1. The 39-3/4" (1010mm) upright cuts insert into the base 62-8 fittings.
2. Insert the yellow 69" (1.75m) tubing into the 15-8, 10-8, 20-8, and 21-8 fittings
3. Tighten set screws on the fittings to 29 ft/lbs with a standard hex tool
4. Kits are secured using bolts or chemical anchors (not supplied by Kee Safety)

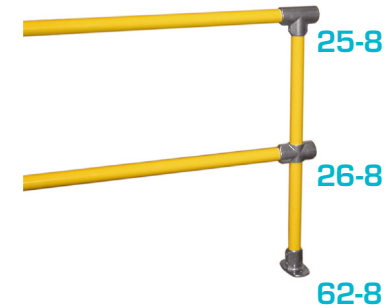
2.



## 6' Extension Kit Installation Instructions

### Kit Includes:

- (1) prebuilt uprights including following:
  - (1) upright containing: (1) 25-8, (1) 26-8, (1) Rail
- (1) 62-8 Bases
- (2) Rails - 69" (1.75m) Tubing



### To Install:

1. The 39-3/4" (1010mm) upright cuts insert into the base 62-8 fittings.
2. Insert the yellow 69" (1.75m) tubing into the 25-8, and 26-8 fittings
3. Tighten set screws on the fittings to 29 ft/lbs with a standard hex tool
4. Kits are secured using bolts or chemical anchors (not supplied by Kee Safety)

3.

