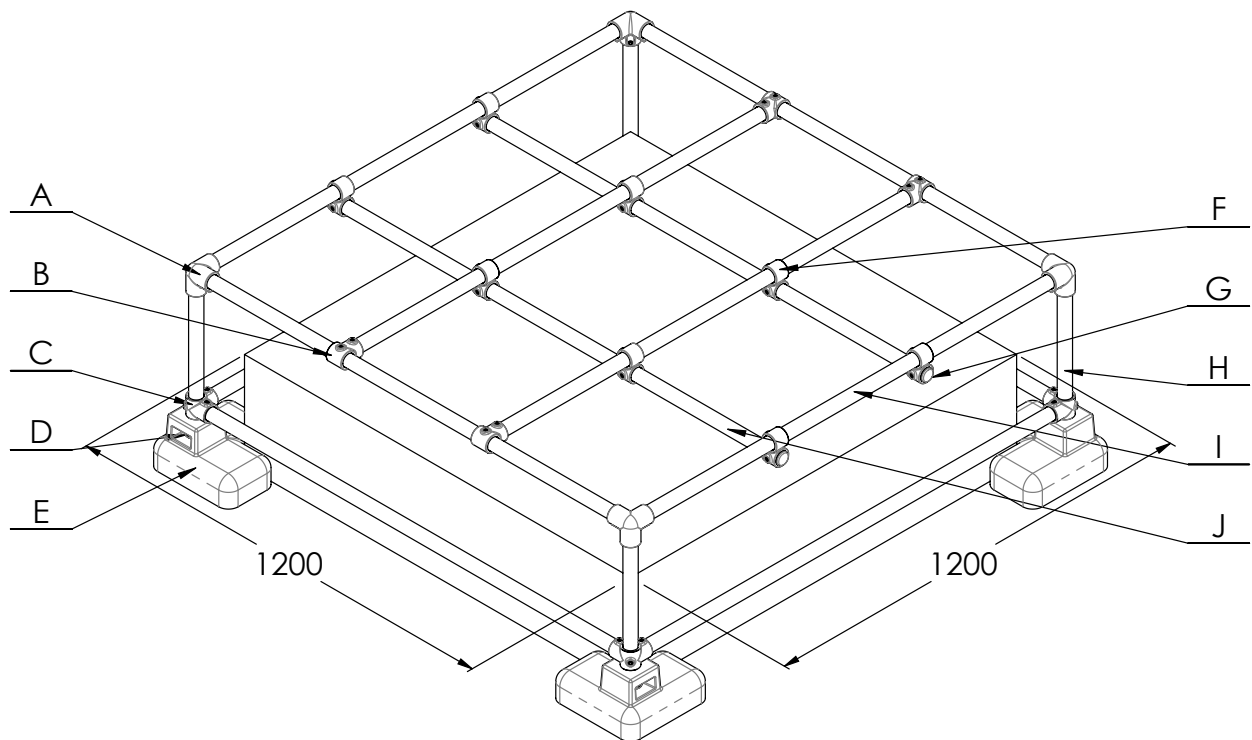




SAFETY AT THE HIGHEST LEVEL

Kee Dome Technical Datasheet Pack



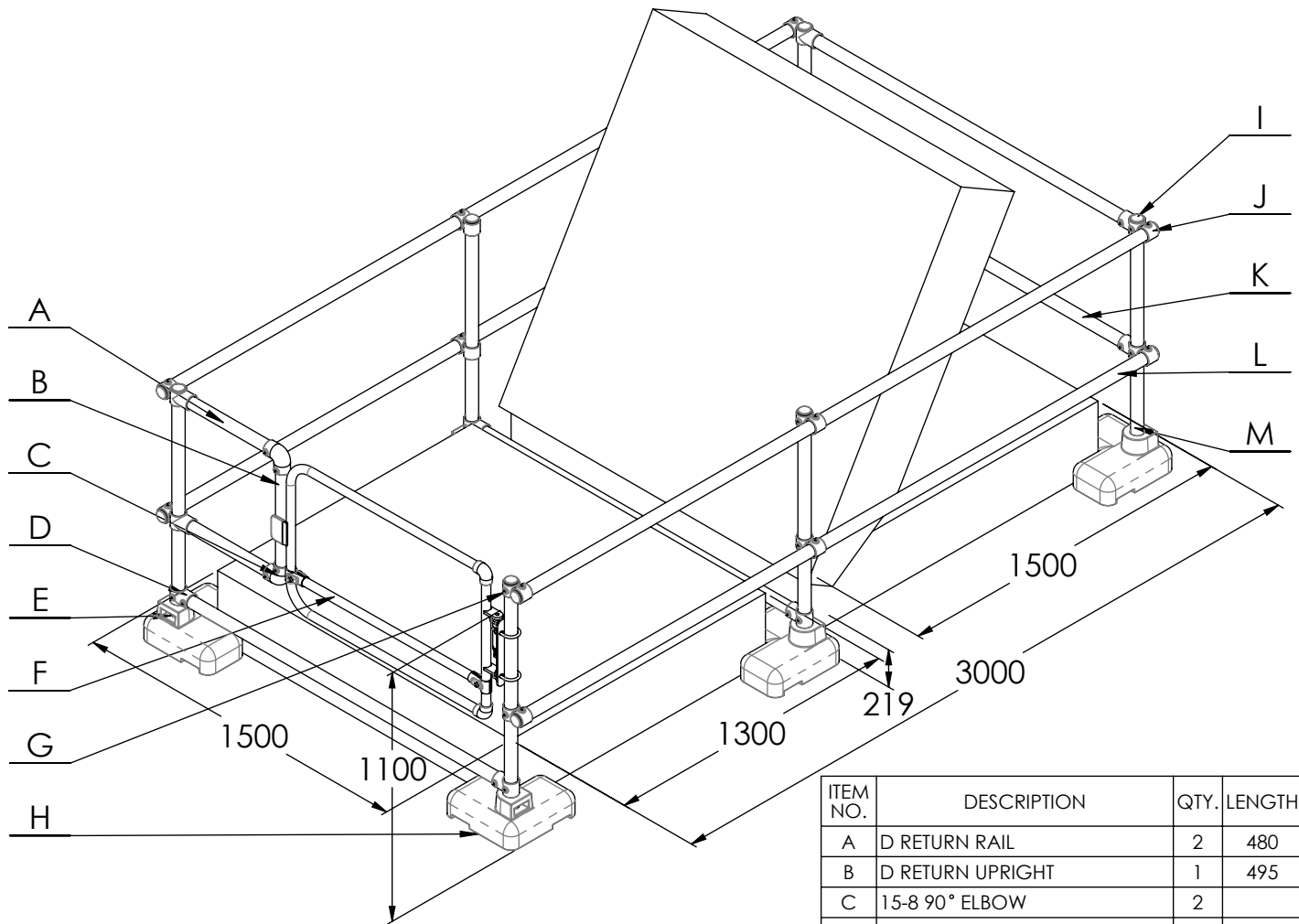
Revision 9
Issue November 2020

Technical Datasheet No: 0001

KDH1 - KEE DOME HATCH GUARD WITH GATE 1.5m Max X 3.2m Max

Part No: KDH181810

Short Part No: KDH1



ITEM NO.	DESCRIPTION	QTY.	LENGTH
A	D RETURN RAIL	2	480
B	D RETURN UPRIGHT	1	495
C	15-8 90° ELBOW	2	
D	10-8 SINGLE SOCKET TEE	4	
E	75-8 COLLAR	6	
F	SINGLE EU GATE - POWDER COATED	1	
G	45-8 CROSSOVER	6	
H	250-8 SKYLIGHT BASE WEIGHT	6	
I	77-8 PLASTIC PLUG	14	
J	46-8 COMBINATION SOCKET TEE AND CROSSOVER	6	
K	RAIL SIZE 8	4	1650
L	RAIL SIZE 8	4	3260
M	UPRIGHT	6	1086

APPLICATION

The Kee Dome® range has been designed specifically to provide protection for personnel accessing near to fragile rooflights whilst carrying out maintenance or inspections on a flat roof. The system is modular in design. The system is a modular design and features recycled PVC bases which lock the posts into position around the rooflight's perimeter. Kee Klamp® fittings and standard length tubes (1.5, 2.0 and 3.2m) provide a rigid frame around the rooflight.

COMPONENT SPECIFICATION

Material	MALLEABLE CAST IRON, MILD STEEL, PVC, POLYETHYLENE
Finish	GALVANISED, NATURAL
Weight	221 kg

Issue Date: 03/04/2018

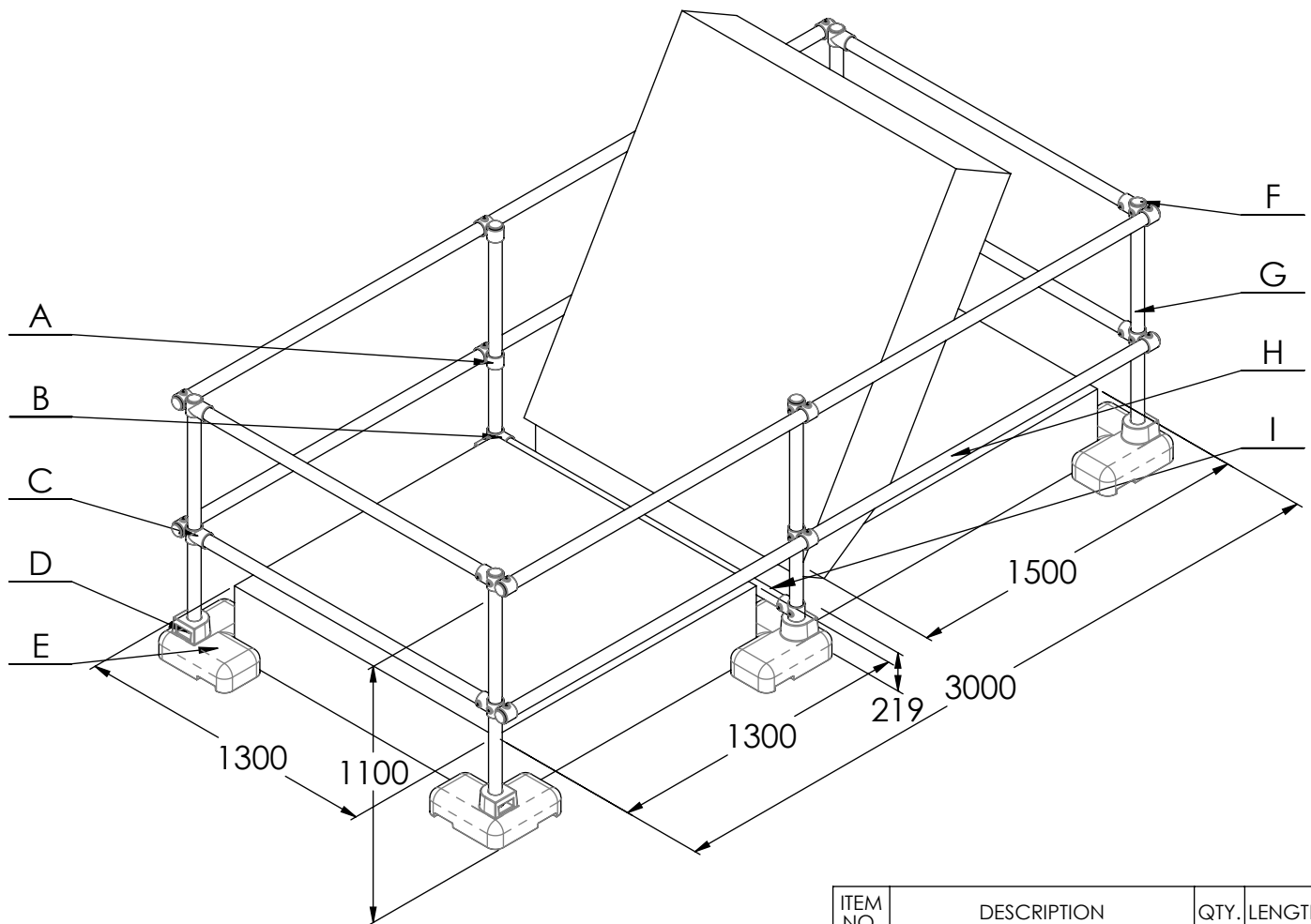
Issue No: 3

Technical Datasheet No: 0002

KDH2 - KEE DOME SMOKE EXTRACTOR GUARD 1.5m Max X 3.2m Max

Part No: KDH281810

Short Part No: KDH2



ITEM NO.	DESCRIPTION	QTY.	LENGTH
A	45-8 CROSSOVER	4	
B	10-8 SINGLE SOCKET TEE	2	
C	46-8 COMBINATION SOCKET TEE AND CROSSOVER	8	
D	75-8 COLLAR	6	
E	250-8 SKYLIGHT BASE WEIGHT	6	
F	77-8 PLASTIC PLUG	14	
G	UPRIGHT	6	1086
H	RAIL SIZE 8	4	3260
I	RAIL SIZE 8	5	1450

APPLICATION

The Kee Dome® range has been designed specifically to provide protection for personnel accessing near to fragile rooflights whilst carrying out maintenance or inspections on a flat roof. The system is modular in design. The system is a modular design and features recycled PVC bases which lock the posts into position around the rooflight's perimeter. Kee Klamp® fittings and standard length tubes (1.5, 2.0 and 3.2m) provide a rigid frame around the rooflight.

COMPONENT SPECIFICATION

Material	MALLEABLE CAST IRON, MILD STEEL, PVC, POLYETHYLENE
Finish	GALVANISED, NATURAL
Weight	200 kg

Issue Date: 21/06/2017

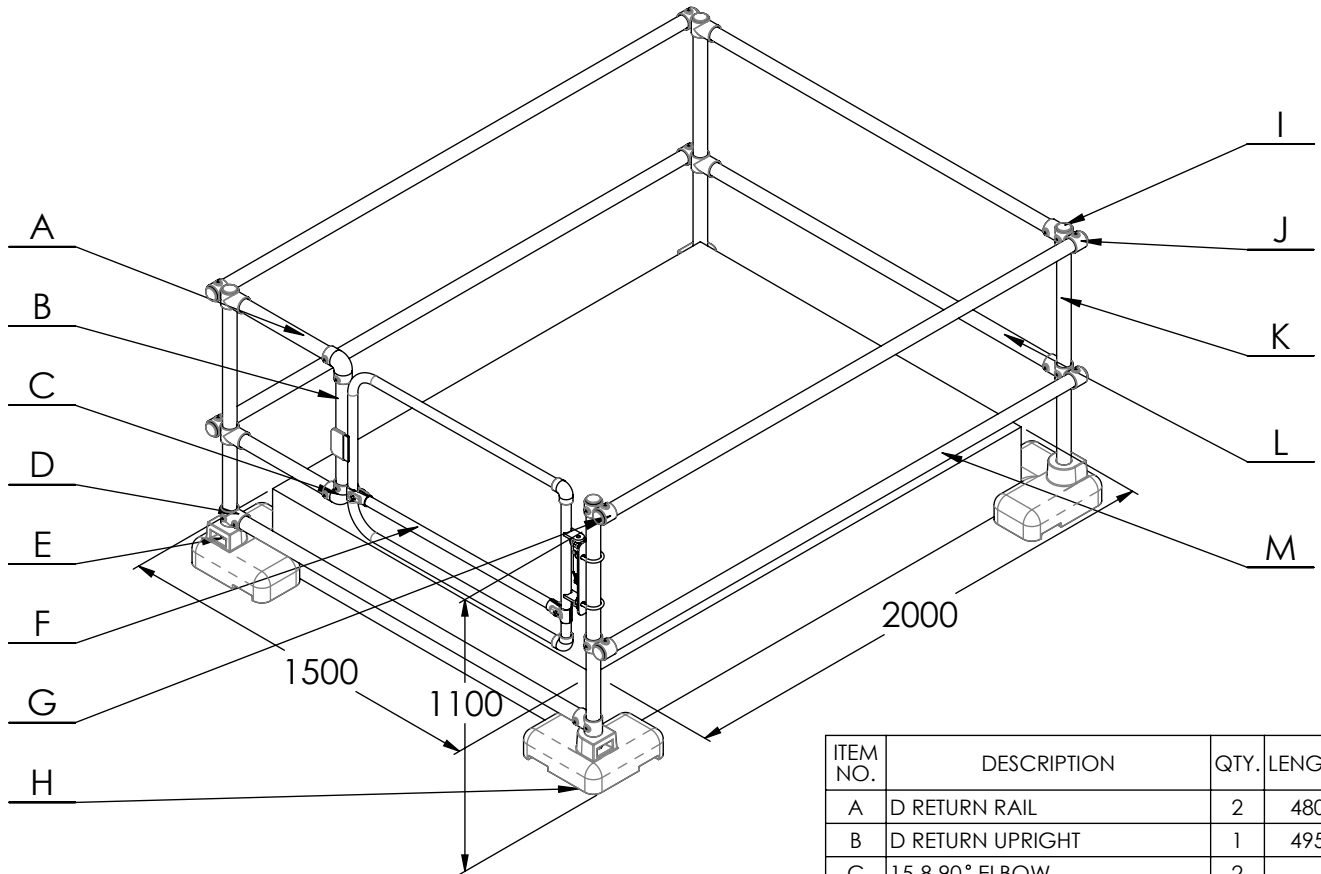
Issue No: 2

Technical Datasheet No: 0003

KDH3 - KEE DOME HATCH GUARD SHORT

Part No: KDH315210

Short Part No: KDH3



ITEM NO.	DESCRIPTION	QTY.	LENGTH
A	D RETURN RAIL	2	480
B	D RETURN UPRIGHT	1	495
C	15-8 90° ELBOW	2	
D	10-8 SINGLE SOCKET TEE	2	
E	75-8 COLLAR	4	
F	SINGLE EU GATE - POWDER COATED	1	
G	45-8 CROSSOVER	2	
H	250-8 SKYLIGHT BASE WEIGHT	4	
I	77-8 PLASTIC PLUG	12	
J	46-8 COMBINATION SOCKET TEE AND CROSSOVER	6	
K	UPRIGHT	4	1086
L	RAIL SIZE 8	3	1650
M	RAIL SIZE 8	4	2260

APPLICATION

The Kee Dome® range has been designed specifically to provide protection for personnel accessing near to fragile rooflights whilst carrying out maintenance or inspections on a flat roof. The system is modular in design. The system is a modular design and features recycled PVC bases which lock the posts into position around the rooflight's perimeter. Kee Klamp® fittings and standard length tubes (1.5, 2.0 and 3.2m) provide a rigid frame around the rooflight.

COMPONENT SPECIFICATION

Material	MALLEABLE CAST IRON, MILD STEEL, PVC, POLYETHYLENE
Finish	GALVANISED, NATURAL
Weight	130 kg

Issue Date: 03/04/2018

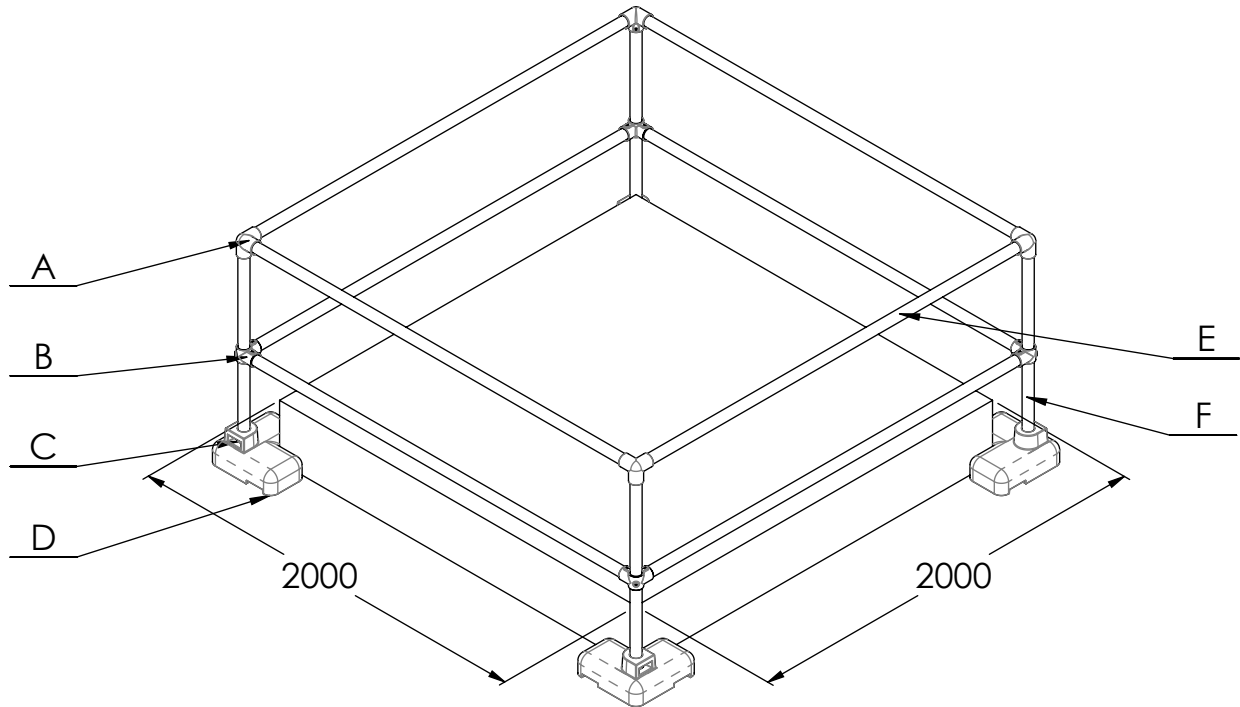
Issue No: 3

Technical Datasheet No: 0004

KDK2 - KEE DOME KWIK KIT FOR 2.0m X 2.0m

Part No: KDK200010

Short Part No: KDK2



ITEM NO.	DESCRIPTION	QTY.	LENGTH
A	20-8 SIDE OUTLET ELBOW	4	
B	21-8 SIDE OUTLET TEE	4	
C	75-8 COLLAR	4	
D	250-8 SKYLIGHT BASE WEIGHT	4	
E	RAIL SIZE 8	8	2150
F	UPRIGHT SIZE 8	4	1030

APPLICATION

The Kee Dome® range has been designed specifically to provide protection for personnel accessing near to fragile rooflights whilst carrying out maintenance or inspections on a flat roof. The system is modular in design. The system is a modular design and features recycled PVC bases which lock the posts into position around the rooflight's perimeter. Kee Klamp® fittings and standard length tubes (1.5, 2.0 and 3.2m) provide a rigid frame around the rooflight.

COMPONENT SPECIFICATION

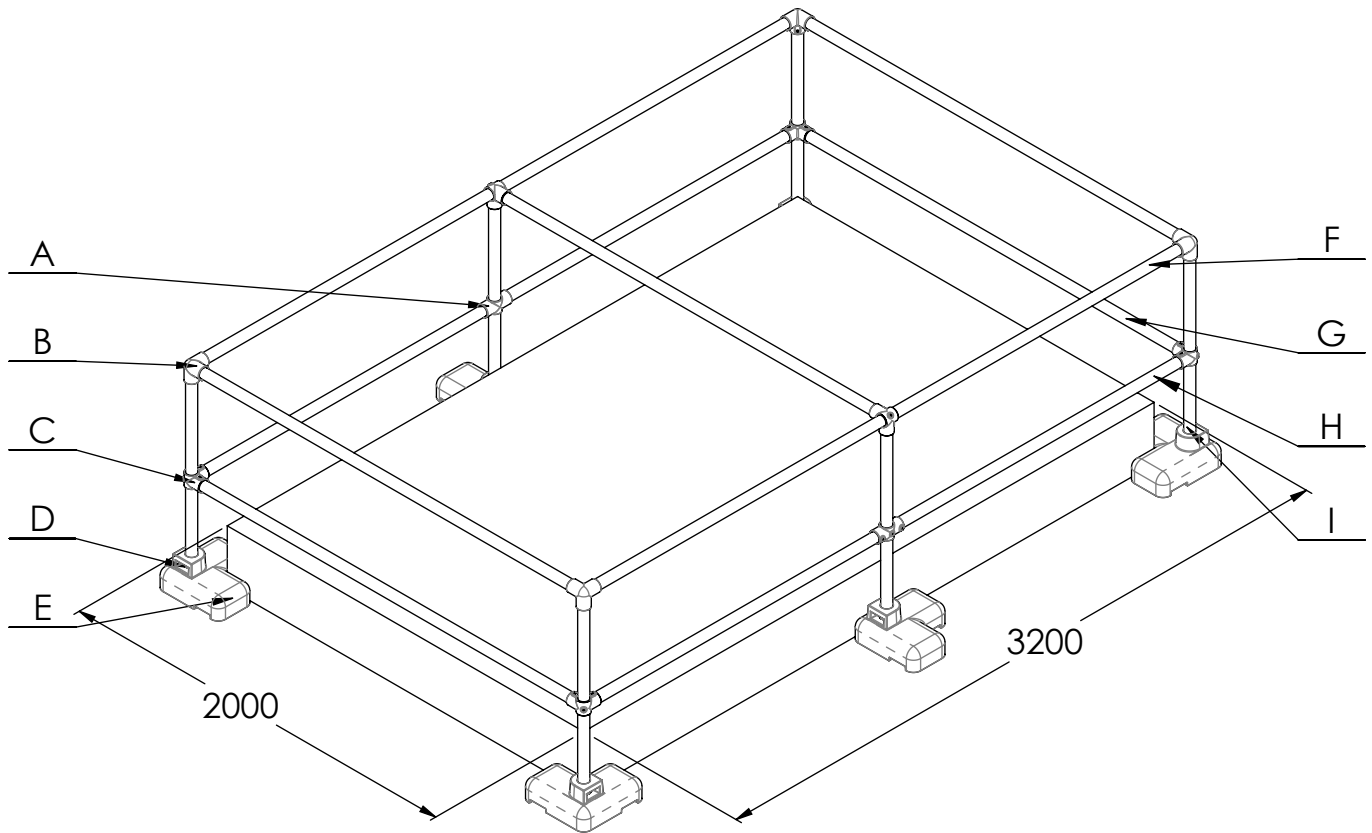
Material	MALLEABLE CAST IRON, MILD STEEL, PVC, POLYETHYLENE
Finish	GALVANISED, NATURAL
Weight	122,5 kg

Technical Datasheet No: 0005

KDK3 - KEE DOME KWIK KIT

Part No: KDK324010

Short Part No: KDK3



ITEM NO.	DESCRIPTION	QTY.	LENGTH
A	26-8 TWO SOCKET CROSS	2	
B	20-8 SIDE OUTLET ELBOW	4	
C	21-8 SIDE OUTLET TEE	6	
D	75-8 COLLAR	6	
E	250-8 SKYLIGHT BASE WEIGHT	6	
F	RAIL SIZE 8	2	3350
G	RAIL SIZE 8	5	2150
H	RAIL SIZE 8	4	1650
I	UPRIGHT SIZE 8	6	1030

APPLICATION

The Kee Dome® range has been designed specifically to provide protection for personnel accessing near to fragile rooflights whilst carrying out maintenance or inspections on a flat roof. The system is modular in design. The system is a modular design and features recycled PVC bases which lock the posts into position around the rooflight's perimeter. Kee Klamp® fittings and standard length tubes (1.5, 2.0 and 3.2m) provide a rigid frame around the rooflight.

COMPONENT SPECIFICATION

Material	MALLEABLE CAST IRON, MILD STEEL, PVC, POLYETHYLENE
Finish	GALVANISED, NATURAL
Weight	180 kg

Issue Date: 21/06/2017

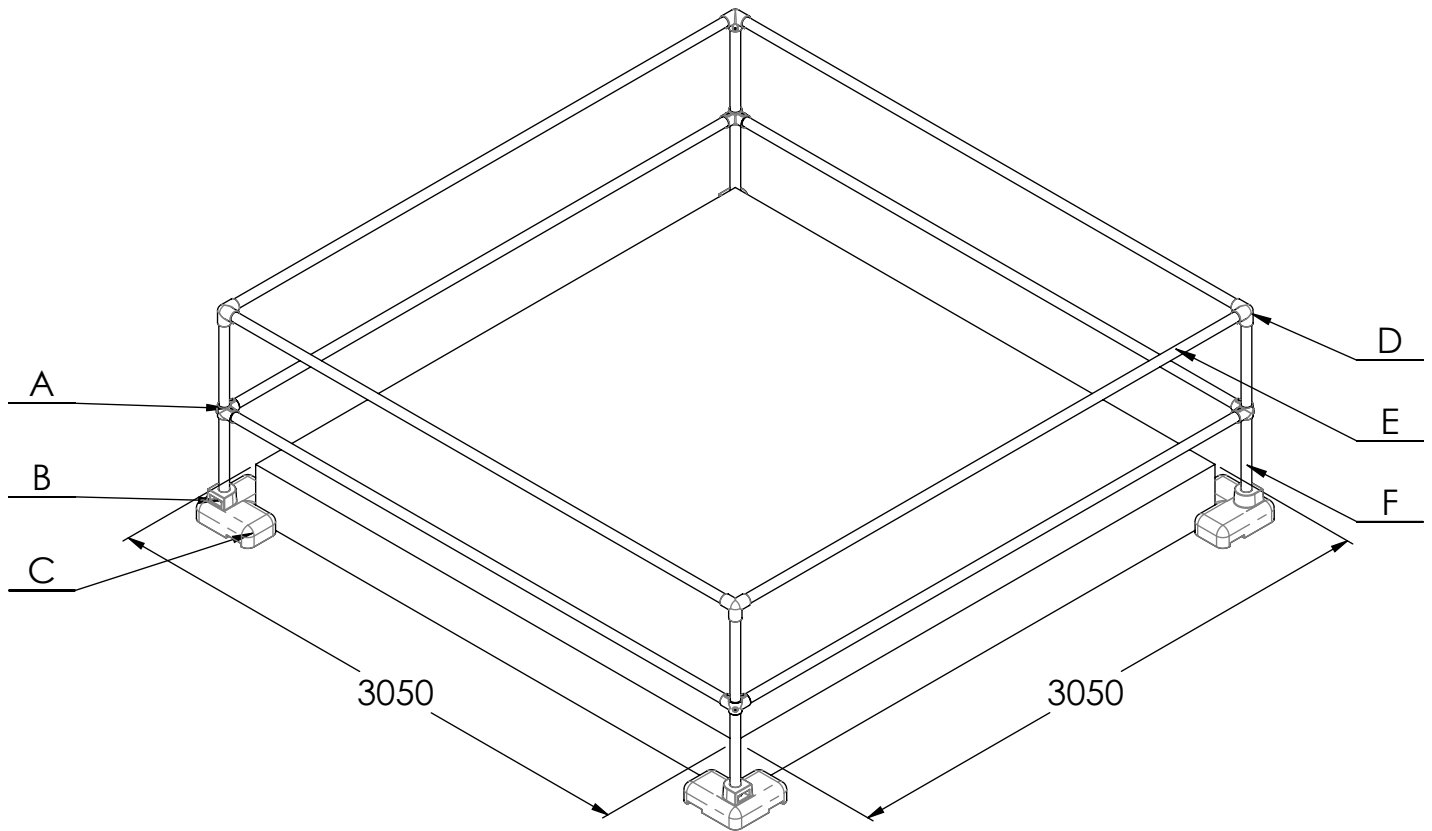
Issue No: 2

Technical Datasheet No: 0006

KDK32 - KEE DOME 3.2m Square

Part No: KDK320010

Short Part No: KDK32



ITEM NO.	DESCRIPTION	QTY.	LENGTH
A	21-8 SIDE OUTLET TEE	4	
B	75-8 COLLAR	4	
C	250-8 SKYLIGHT BASE WEIGHT	4	
D	20-8 SIDE OUTLET ELBOW	4	
E	RAIL SIZE 8	8	3200
F	TUBE SIZE 8 @ 1100mm	4	1100

APPLICATION

The Kee Dome® range has been designed specifically to provide protection for personnel accessing near to fragile rooflights whilst carrying out maintenance or inspections on a flat roof. The system is modular in design. The system is a modular design and features recycled PVC bases which lock the posts into position around the rooflight's perimeter. Kee Klamp® fittings and standard length tubes (1.5, 2.0 and 3.2m) provide a rigid frame around the rooflight.

COMPONENT SPECIFICATION

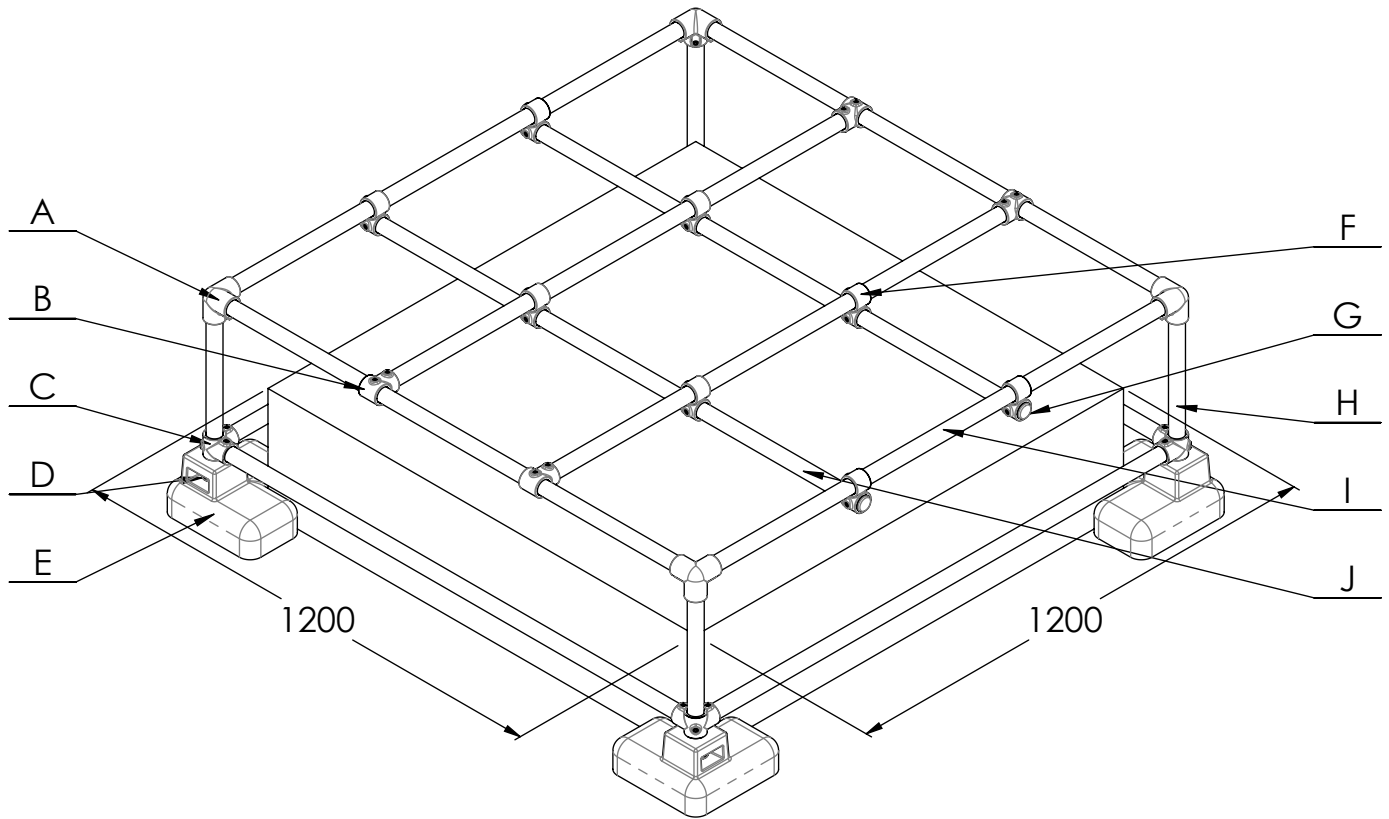
Material	MALLEABLE CAST IRON, MILD STEEL, PVC, POLYETHYLENE
Finish	GALVANISED, NATURAL
Weight	186 kg

Technical Datasheet No: 0007

KDK4 - KEE DOME MINI KWIK KIT 1.2m x 1.2m

Part No: KDK481810

Short Part No: KDK4



ITEM NO.	DESCRIPTION	QTY.	LENGTH
A	20-6 SIDE OUTLET ELBOW	4	
B	10-6 SINGLE SOCKET TEE	4	
C	21-6 SIDE OUTLET TEE	4	
D	75-6 COLLAR	4	
E	250-6 SKYLIGH BASE WEIGHT	4	
F	45-6 CROSSOVER	8	
G	77-6 PLASTIC PLUG	4	
H	UPRIGHT SIZE 6	4	500
I	RAIL SIZE 6	10	1315
J	RAIL SIZE 6	2	1390

APPLICATION

Kee Dome® Mini provides a less obtrusive, low level solution making it ideal for instances where building aesthetics need to be taken into consideration. The Kee Dome® Mini can be used on rooflights from 1.2m x 1.2m up to 1.8m x 1.8m.

COMPONENT SPECIFICATION

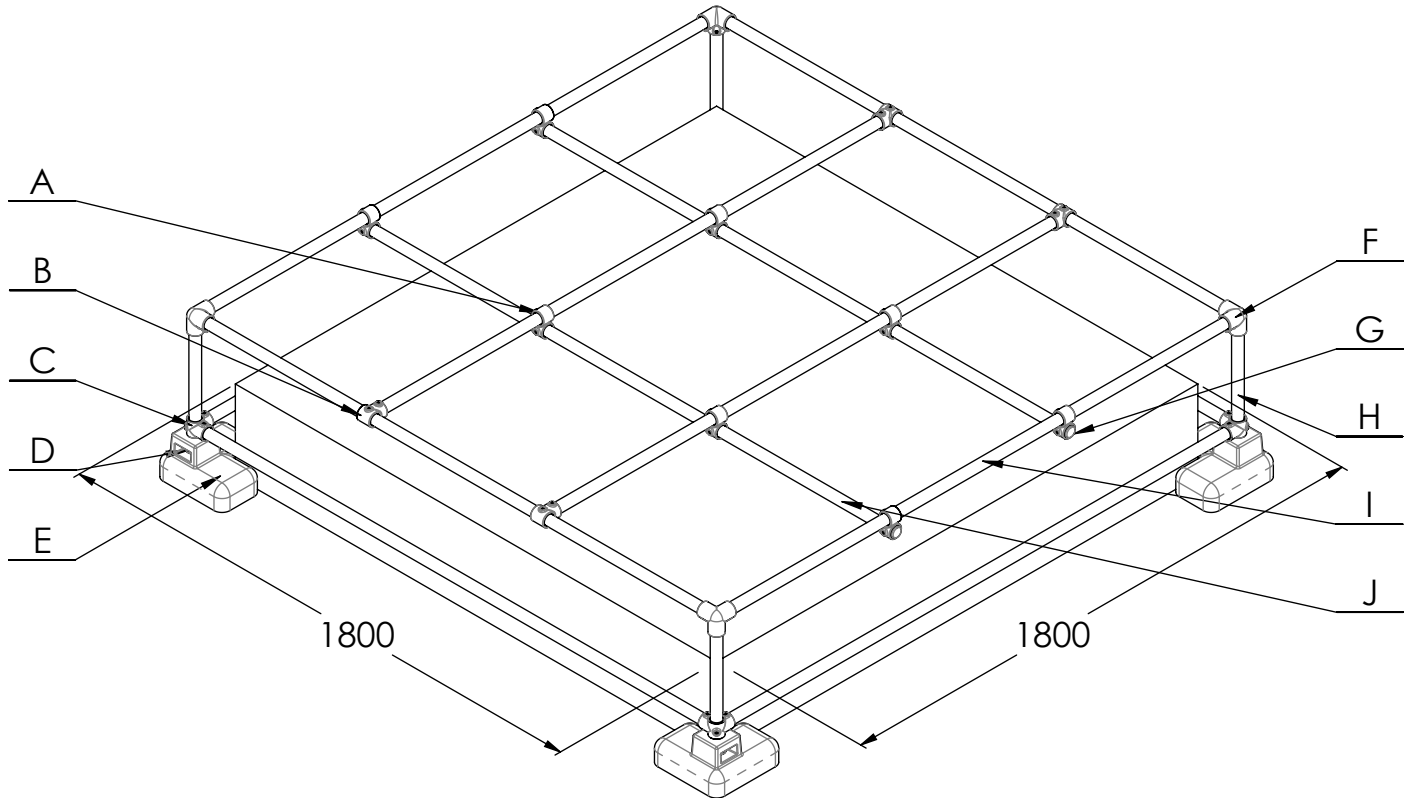
Material	MALLEABLE CAST IRON, MILD STEEL, PVC, POLYETHYLENE
Finish	GALVANISED, NATURAL
Weight	70 kg

Technical Datasheet No: 0008

KDK5 - KEE DOME MINI KWIK KIT 1.8m x 1.8m

Part No: KDK482010

Short Part No: KDK5



ITEM NO.	DESCRIPTION	QTY.	LENGTH
A	45-6 CROSSOVER	8	
B	10-6 SINGLE SOCKET TEE	4	
C	21-6 SIDE OUTLET TEE	4	
D	75-6 COLLAR	4	
E	250-6 SKYLIGH BASE WEIGHT	4	
F	20-6 SIDE OUTLET ELBOW	4	
G	77-6 PLASTIC PLUG	4	
H	UPRIGHT SIZE 6	4	500
I	RAIL SIZE 6	10	1915
J	RAIL SIZE 6	2	1990

APPLICATION

Kee Dome® Mini provides a less obtrusive, low level solution making it ideal for instances where building aesthetics need to be taken into consideration. The Kee Dome® Mini can be used on rooflights from 1.2m x 1.2m up to 1.8m x 1.8m.

COMPONENT SPECIFICATION

Material	MALLEABLE CAST IRON, MILD STEEL, PVC, POLYETHYLENE
Finish	GALVANISED, NATURAL
Weight	73 kg

Issue Date: 21/06/2017

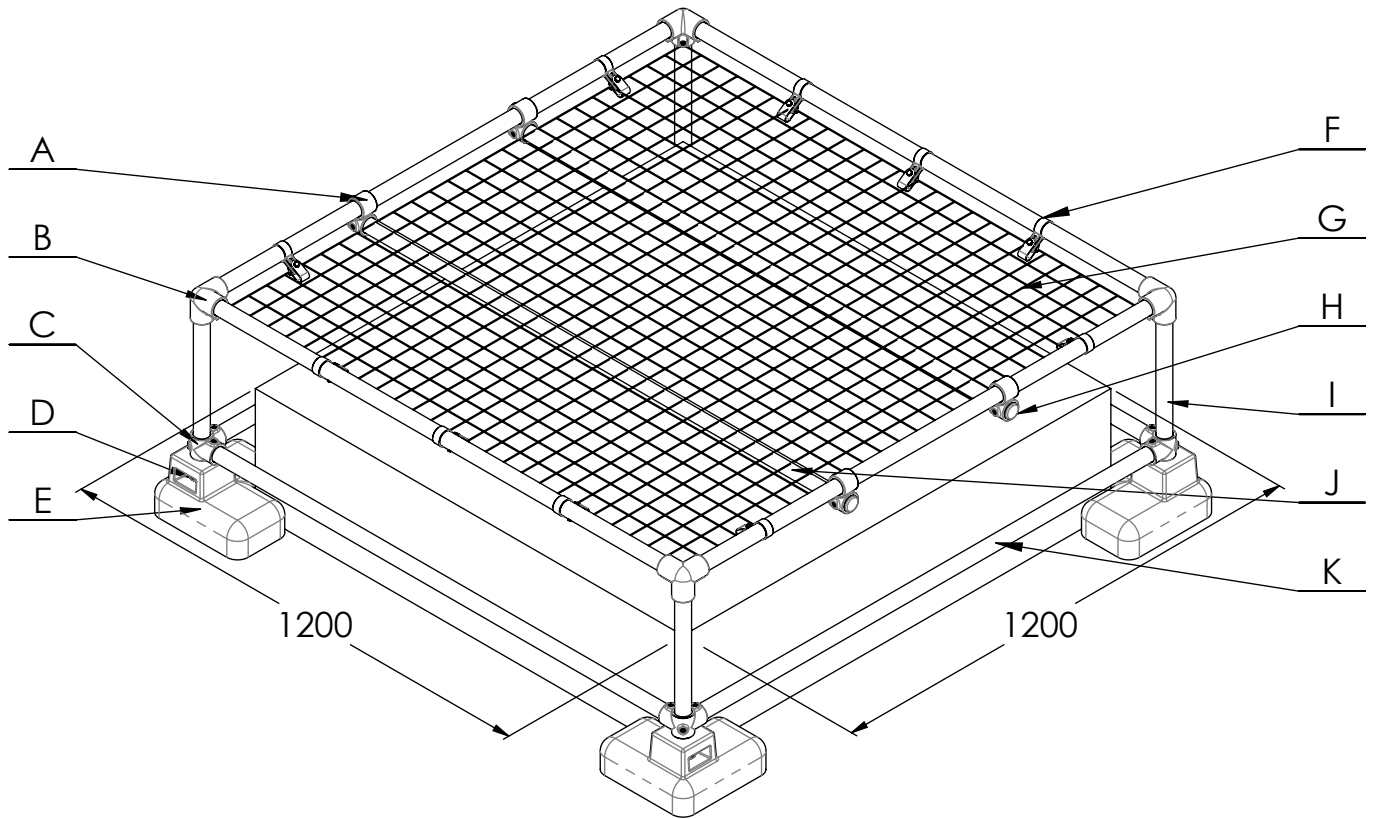
Issue No: 2

Technical Datasheet No: 0009

KDK12 - KEE DOME MINI KWIK KIT C/W MESH 1.2m x 1.2m

Part No: KDK483010

Short Part No: KDK12



ITEM NO.	DESCRIPTION	QTY.	LENGTH
A	45-6 CROSSOVER	4	
B	20-6 SIDE OUTLET ELBOW	4	
C	21-6 SIDE OUTLET TEE	4	
D	75-6 COLLAR	4	
E	250-6 SKYLIGH BASE WEIGHT	4	
F	81-6 SINGLE SIDED CLIP	10	
G	MP1212G- 50x50x3mm MESH PANEL 1275mmx1275mm GALVANISED	1	
H	77-6 PLASTIC PLUG	4	
I	UPRIGHT SIZE 6	4	500
J	RAIL SIZE 6	2	1390
K	RAIL SIZE 6	8	1315

APPLICATION

Kee Dome® Mini provides a less obtrusive, low level solution making it ideal for instances where building aesthetics need to be taken into consideration. The Kee Dome® Mini can be used on rooflights from 1.2m x 1.2m up to 1.8m x 1.8m.

COMPONENT SPECIFICATION

Material	MALLEABLE CAST IRON, MILD STEEL, PVC, POLYETHYLENE
Finish	GALVANISED, NATURAL
Weight	63,4 kg

Issue Date: 21/06/2017

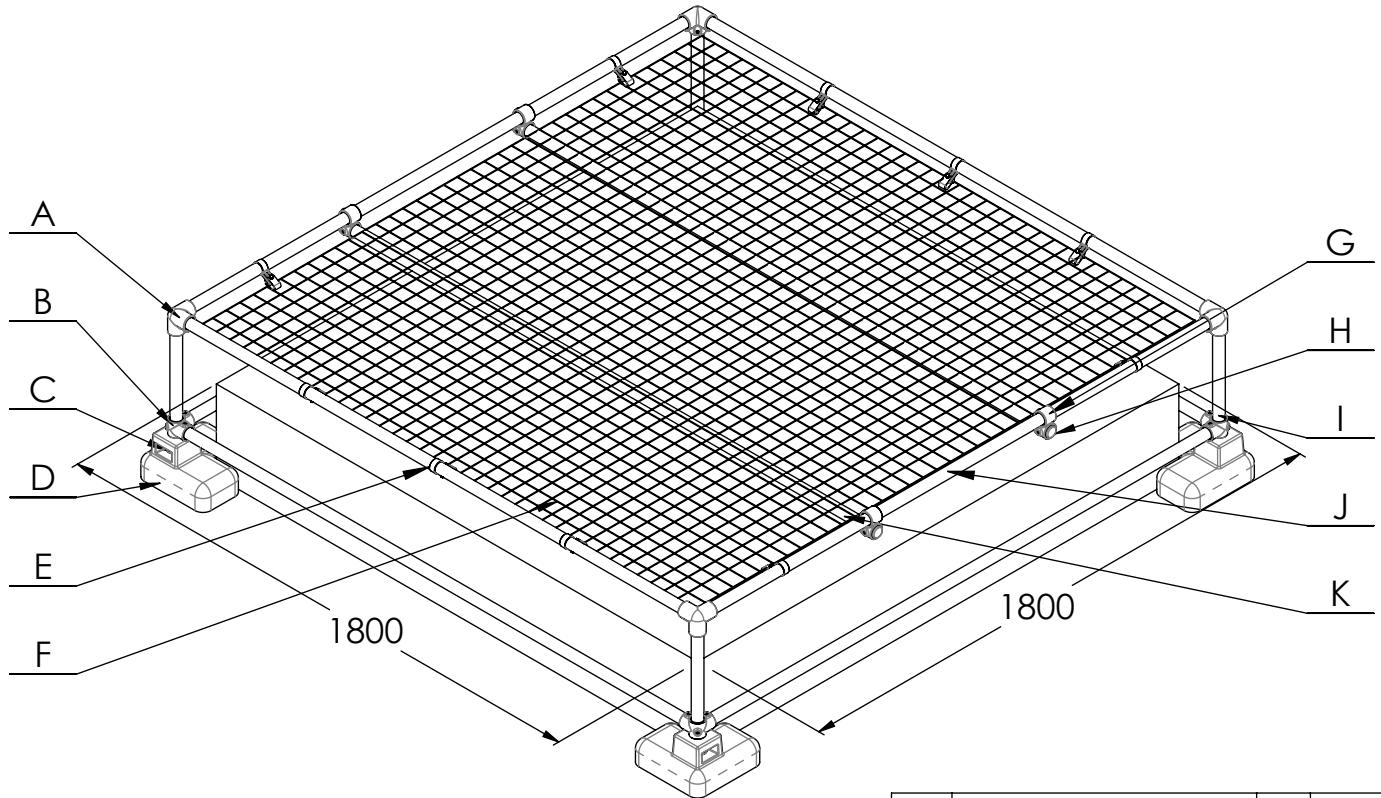
Issue No: 2

Technical Datasheet No: 0010

KDK18 - KEE DOME MINI KWIK KIT C/W MESH 1.8m x 1.8m

Part No: KDK484010

Short Part No: KDK18



ITEM NO.	DESCRIPTION	QTY.	LENGTH
A	20-6 SIDE OUTLET ELBOW	4	
B	21-6 SIDE OUTLET TEE	4	
C	75-6 COLLAR	4	
D	250-6 SKYLIGHT BASE WEIGHT	4	
E	81-6 SINGLE SIDED CLIP	10	
F	MP1818G- 50x50x3mm MESH PANEL 1875mmx1875mm GALVANISED	1	
G	45-6 CROSSOVER	4	
H	77-6 PLASTIC PLUG	4	
I	UPRIGHT SIZE 6	4	500
J	RAIL SIZE 6	8	1915
K	RAIL SIZE 6	2	1990

APPLICATION

Kee Dome® Mini provides a less obtrusive, low level solution making it ideal for instances where building aesthetics need to be taken into consideration. The Kee Dome® Mini can be used on rooflights from 1.2m x 1.2m up to 1.8m x 1.8m.

COMPONENT SPECIFICATION

Material	MALLEABLE CAST IRON, MILD STEEL, PVC, POLYETHYLENE
Finish	GALVANISED, NATURAL
Weight	82 kg

Issue Date: 21/06/2017

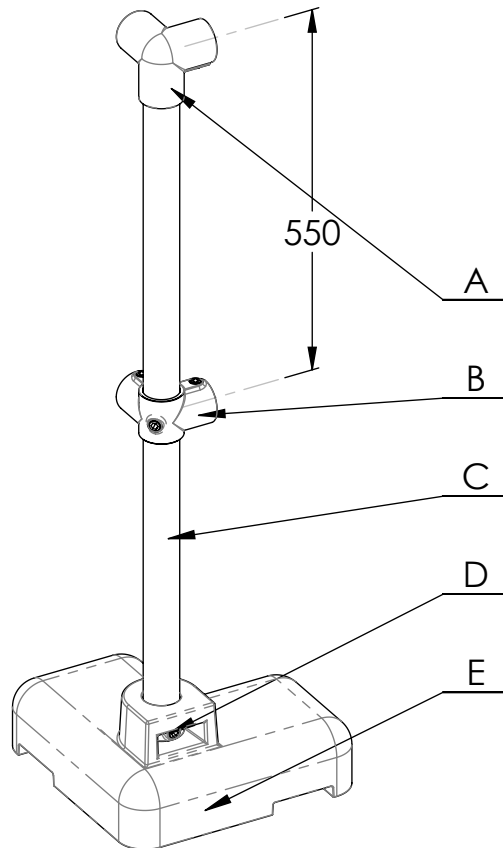
Issue No: 2

Technical Datasheet No: 0011

KEEDOME CORNER UPRIGHT ASSEMBLY

Part No: 025180180

Short Part No: KDU



ITEM NO.	DESCRIPTION	QTY.	LENGTH
A	20-8 SIDE OUTLET ELBOW	1	
B	21-8 SIDE OUTLET TEE	1	
C	TUBE SIZE 8 @ 1100mm	1	1100
D	75-8 COLLAR	1	
E	250-8 SKYLIGHT BASE WEIGHT	1	

APPLICATION

The Kee Dome® range has been designed specifically to provide protection for personnel accessing near to fragile rooflights whilst carrying out maintenance or inspections on a flat roof. The system is modular in design. The system is a modular design and features recycled PVC bases which lock the posts into position around the rooflight's perimeter. Kee Klamp® fittings and standard length tubes (1.5, 2.0 and 3.2m) provide a rigid frame around the rooflight.

COMPONENT SPECIFICATION

Material	MALLEABLE CAST IRON, MILD STEEL, PVC, POLYETHYLENE
Finish	GALVANISED, NATURAL
Weight	15,2 kg

Issue Date: 13/07/2018

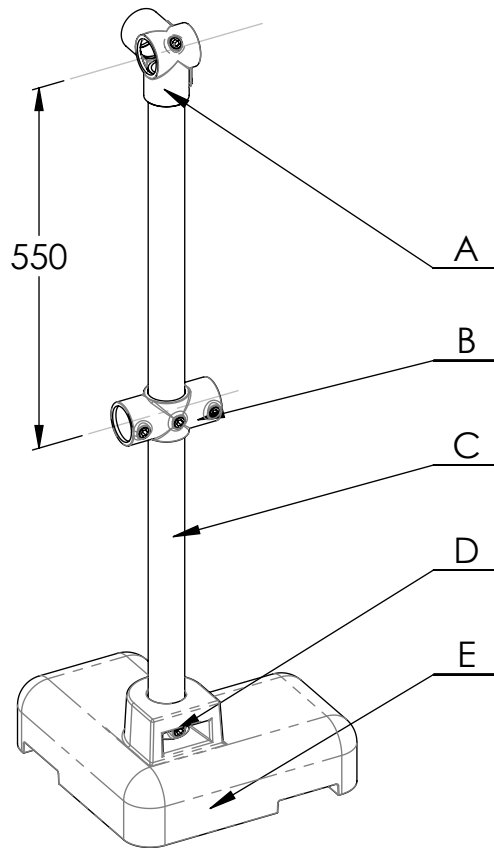
Issue No: 4

Technical Datasheet No: 0012

KEEDOME INTERMEDIATE UPRIGHT ASSEMBLY

Part No: 025280180

Short Part No: KDU-INT



ITEM NO.	DESCRIPTION	QTY.	LENGTH
B	26-8 TWO SOCKET CROSS	1	
A	21-8 SIDE OUTLET TEE	1	
C	TUBE SIZE 8 @ 1100mm	1	1100
D	75-8 COLLAR	1	
E	250-8 SKYLIGHT BASE WEIGHT	1	

APPLICATION

The Kee Dome® range has been designed specifically to provide protection for personnel accessing near to fragile rooflights whilst carrying out maintenance or inspections on a flat roof. The system is modular in design. The system is a modular design and features recycled PVC bases which lock the posts into position around the rooflight's perimeter. Kee Klamp® fittings and standard length tubes (1.5, 2.0 and 3.2m) provide a rigid frame around the rooflight.

COMPONENT SPECIFICATION

Material	MALLEABLE CAST IRON, MILD STEEL, PVC, POLYETHYLENE
Finish	GALVANISED, NATURAL
Weight	15,2 kg

Issue Date: 17/07/2018

Issue No: 5