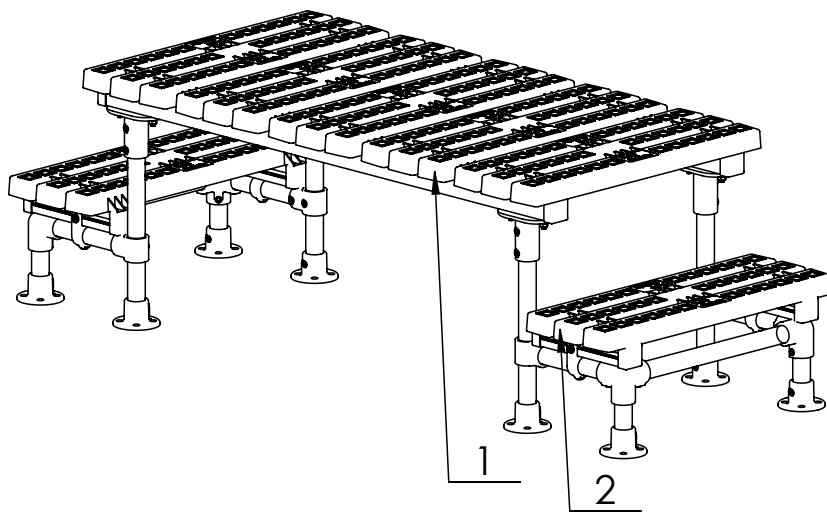




SAFETY AT THE HIGHEST LEVEL

Kee Walk Mini Step Overs Technical Datasheet Pack



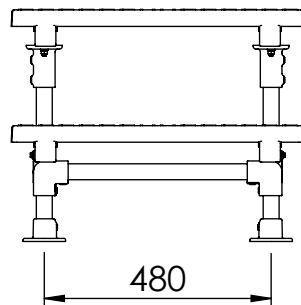
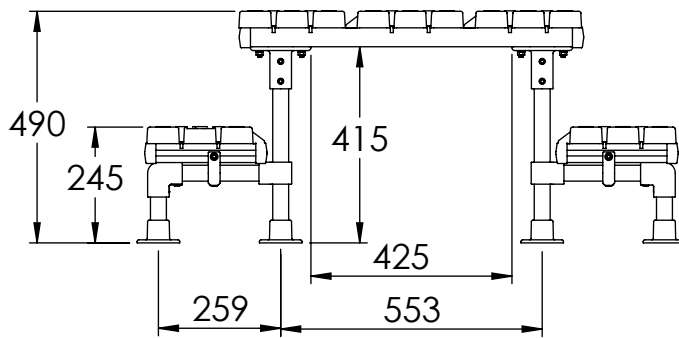
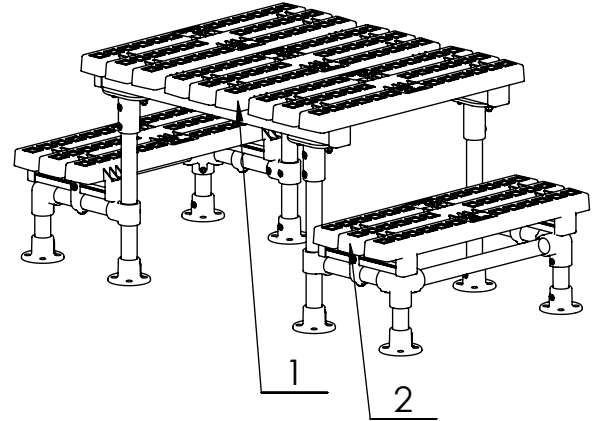
Revision 6
Issued December 2022

Technical Datasheet No: 0001

STMFx43 - FIXED STEP OVER 400

Part No: STMFx4003

Short Part No: STMFx43



ITEM NO.	SHORTNo.	DESCRIPTION	QTY.
1	STM3P	3 TREAD PLATFORM	1
2	STMFx4A	FREESTANDING LEG ASSEMBLY 400	2

APPLICATION

Kee Walk® Step Over System provides a safe, anti-slip, level walking surface for means of access to and across roofs. It provides a demarcation route which protects the roof membrane from unnecessary foot traffic and potential damage. Supplied partially assembled. For flat roofs.

COMPONENT SPECIFICATION

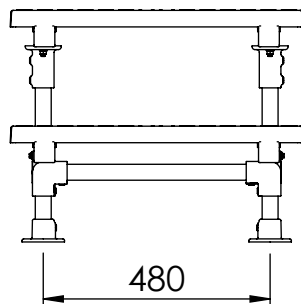
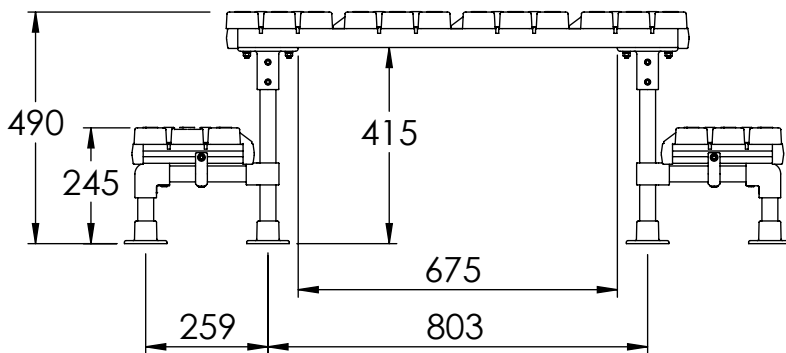
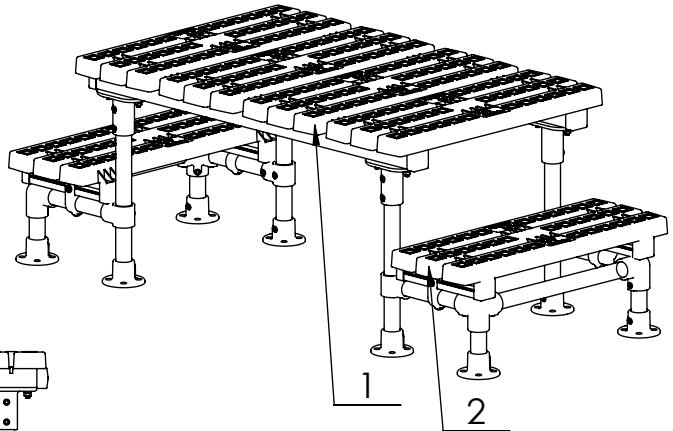
Material	Malleable Cast Iron / Aluminium Alloy / High Grade Nylon / Mild Steel
Finish	Galvanised to BS EN ISO 1461 / Natural / HDG
Weight	36.24kg

Technical Datasheet No: 0002

STMFx44 - FIXED STEP OVER 400

Part No: STMFx4004

Short Part No: STMFx44



ITEM NO.	SHORTNo.	DESCRIPTION	QTY.
1	STM4P	4 TREAD PLATFORM	1
2	STMFx4A	FREESTANDING LEG ASSEMBLY 400	2

APPLICATION

Kee Walk® Step Over System provides a safe, anti-slip, level walking surface for means of access to and across roofs. It provides a demarcation route which protects the roof membrane from unnecessary foot traffic and potential damage. Supplied partially assembled. For flat roofs.

COMPONENT SPECIFICATION

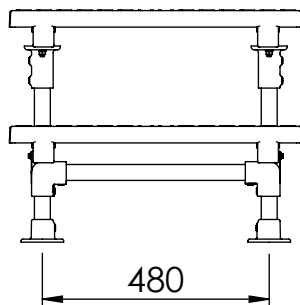
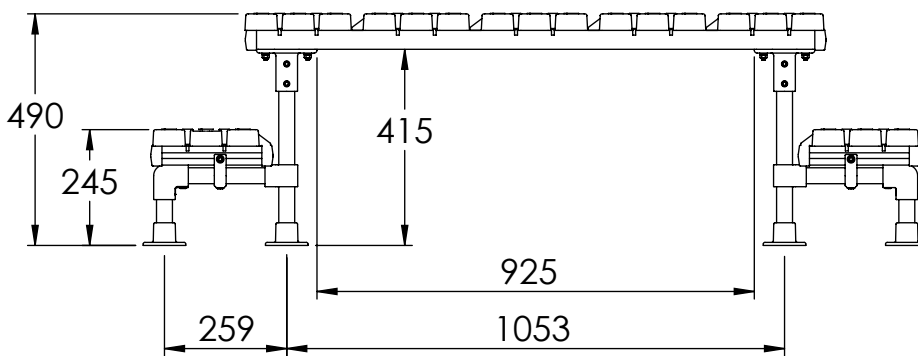
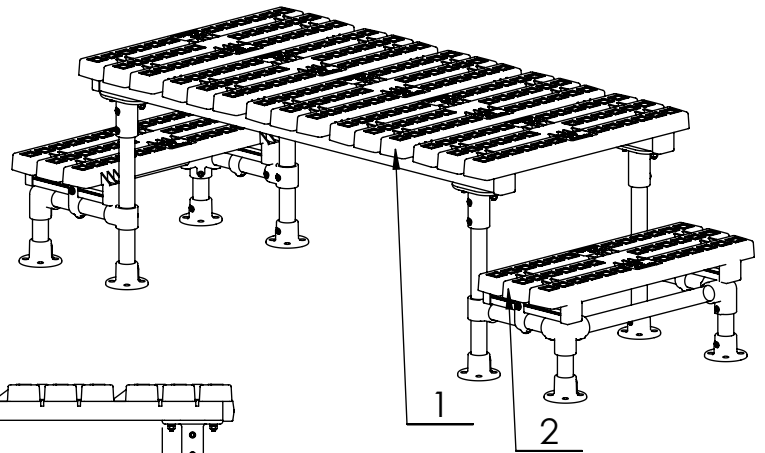
Material	Malleable Cast Iron / Aluminium Alloy / High Grade Nylon / Mild Steel
Finish	Galvanised to BS EN ISO 1461 / Natural / HDG
Weight	27.00kg

Technical Datasheet No: 0003

STMFx45 - FIXED STEP OVER 400

Part No: STMFx4005

Short Part No: STMFx45



ITEM NO.	SHORTNo.	DESCRIPTION	QTY.
1	STMN5P	5 TREAD PLATFORM	1
2	STMFx4A	FREESTANDING LEG ASSEMBLY 400	2

APPLICATION

Kee Walk® Step Over System provides a safe, anti-slip, level walking surface for means of access to and across roofs. It provides a demarcation route which protects the roof membrane from unnecessary foot traffic and potential damage. Supplied partially assembled. For flat roofs.

COMPONENT SPECIFICATION

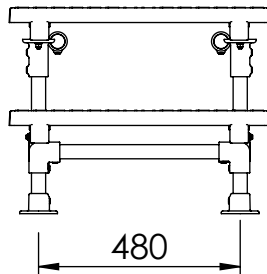
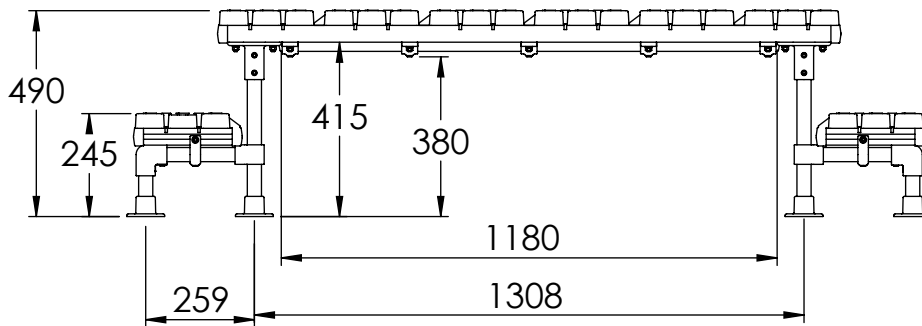
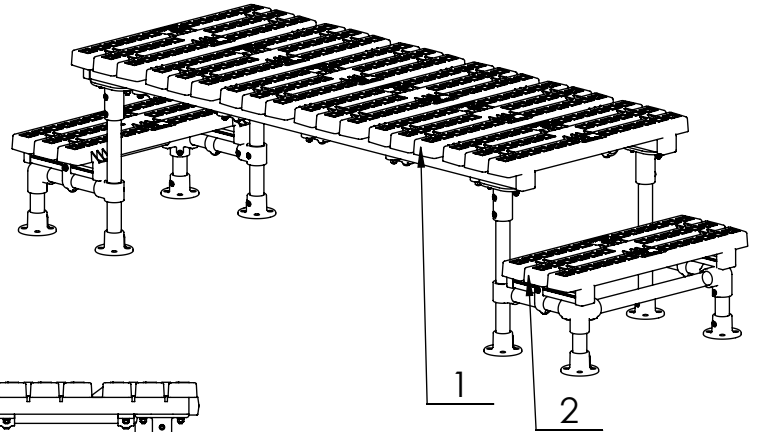
Material	Malleable Cast Iron / Aluminium Alloy / High Grade Nylon / Mild Steel
Finish	Galvanised to BS EN ISO 1461 / Natural / HDG
Weight	39.24kg

Technical Datasheet No: 0004

STMFx4SP6 - FIXED STEP OVER 380

Part No: STMFx4SP6

Short Part No: STMFx4SP6



ITEM NO.	SHORTNo.	DESCRIPTION	QTY.
1	KWMSUP006	6 TREAD PLATFORM	1
2	STMFx4A	FREESTANDING LEG ASSEMBLY 400	2

APPLICATION

Kee Walk® Step Over System provides a safe, anti-slip, level walking surface for means of access to and across roofs. It provides a demarcation route which protects the roof membrane from unnecessary foot traffic and potential damage. Supplied partially assembled. For flat roofs.

COMPONENT SPECIFICATION

Material	Malleable Cast Iron / Aluminium Alloy / High Grade Nylon / Mild Steel
Finish	Galvanised to BS EN ISO 1461 / Natural / HDG
Weight	43.10kg

Issue Date: 13/05/2021

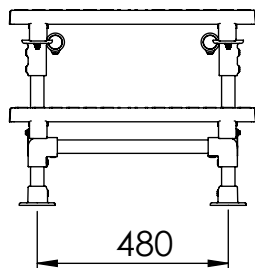
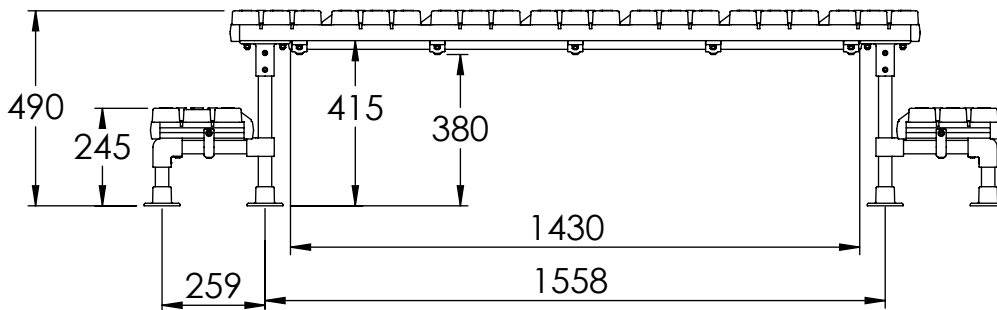
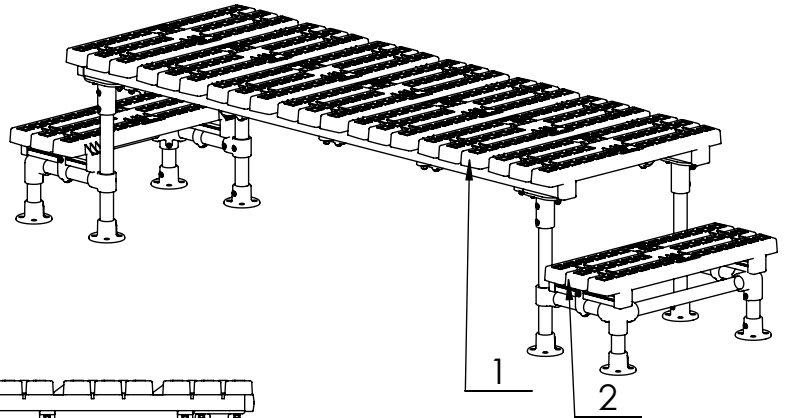
Issue No: 2

Technical Datasheet No: 0005

STMFx4SP7 - FIXED STEP OVER 380

Part No: STMFx4SP7

Short Part No: STMFx4SP7



ITEM NO.	SHORTNo.	DESCRIPTION	QTY.
1	KWMSUP007	7 TREAD PLATFORM	1
2	STMFx4A	FREESTANDING LEG ASSEMBLY 400	2

APPLICATION

Kee Walk® Step Over System provides a safe, anti-slip, level walking surface for means of access to and across roofs. It provides a demarcation route which protects the roof membrane from unnecessary foot traffic and potential damage. Supplied partially assembled. For flat roofs.

COMPONENT SPECIFICATION

Material	Malleable Cast Iron / Aluminium Alloy / High Grade Nylon / Mild Steel
Finish	Galvanised to BS EN ISO 1461 / Natural / HDG
Weight	44.77kg

Issue Date: 13/05/2021

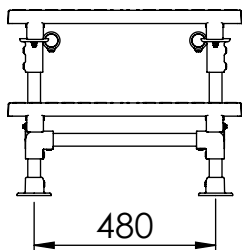
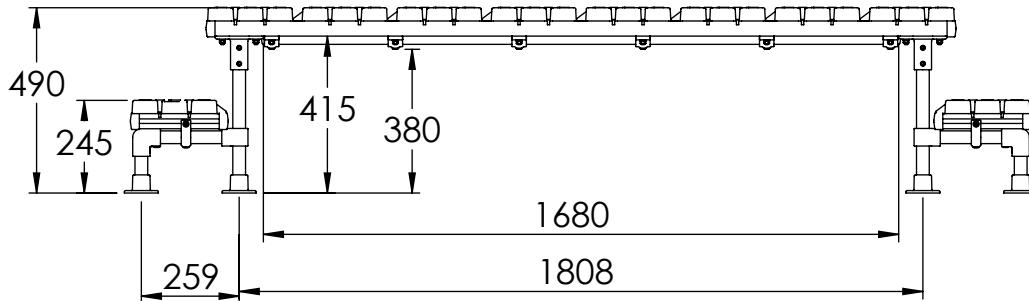
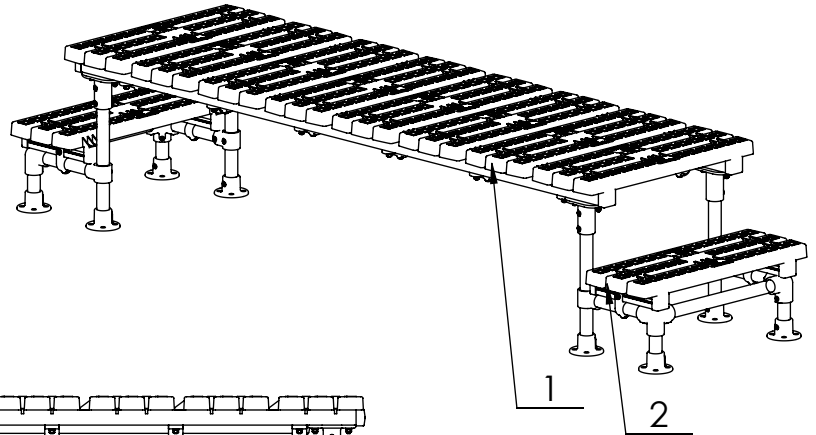
Issue No: 2

Technical Datasheet No: 0006

STMFx4SP8 - FIXED STEP OVER 380

Part No: STMFx4SP8

Short Part No: STMFx4SP8



ITEM NO.	SHORTNo.	DESCRIPTION	QTY.
1	KWMSUP008	8 TREAD PLATFORM	1
2	STMFx4A	FREESTANDING LEG ASSEMBLY 400	2

APPLICATION

Kee Walk® Step Over System provides a safe, anti-slip, level walking surface for means of access to and across roofs. It provides a demarcation route which protects the roof membrane from unnecessary foot traffic and potential damage. Supplied partially assembled. For flat roofs.

COMPONENT SPECIFICATION

Material	Malleable Cast Iron / Aluminium Alloy / High Grade Nylon / Mild Steel
Finish	Galvanised to BS EN ISO 1461 / Natural / HDG
Weight	48.37kg

Issue Date: 13/05/2021

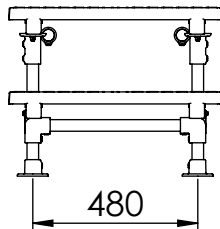
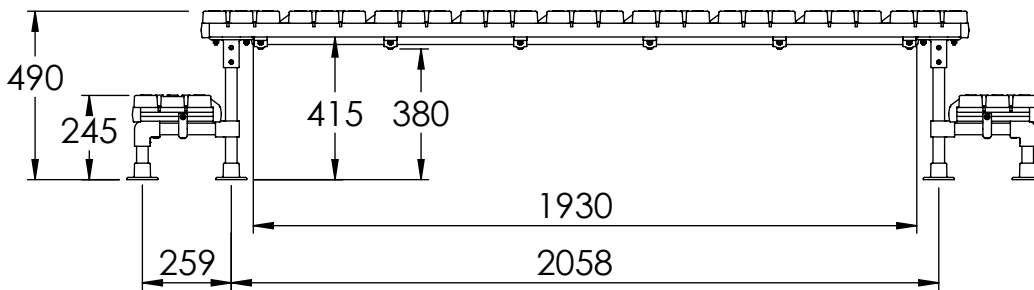
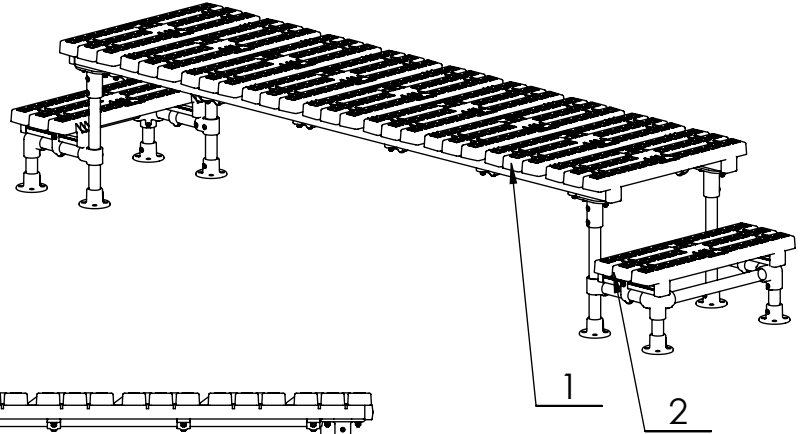
Issue No: 2

Technical Datasheet No: 0007

STMFx4SP9 - FIXED STEP OVER 380

Part No: STMFx4SP9

Short Part No: STMFx4SP9



ITEM NO.	SHORTNo.	DESCRIPTION	QTY.
1	KWMSUP009	9 TREAD PLATFORM	1
2	STMFx4A	FREESTANDING LEG ASSEMBLY 400	2

APPLICATION

Kee Walk® Step Over System provides a safe, anti-slip, level walking surface for means of access to and across roofs. It provides a demarcation route which protects the roof membrane from unnecessary foot traffic and potential damage. Supplied partially assembled. For flat roofs.

COMPONENT SPECIFICATION

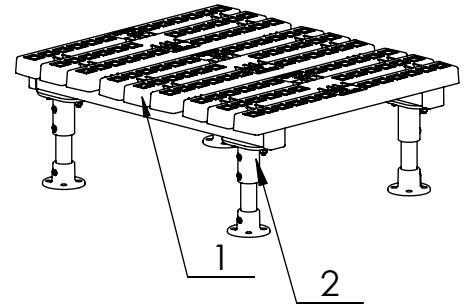
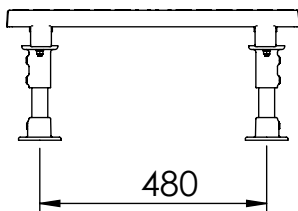
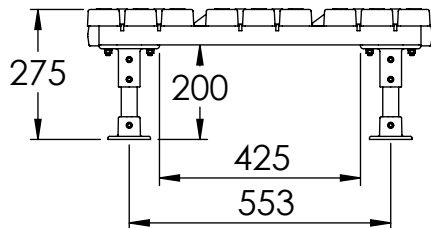
Material	Malleable Cast Iron / Aluminium Alloy / High Grade Nylon / Mild Steel
Finish	Galvanised to BS EN ISO 1461 / Natural / HDG
Weight	51.40kg

Technical Datasheet No: 0008

STMF23 - FIXED STEP OVER 200

Part No: STMF2003

Short Part No: STMF23



ITEM NO.	SHORTNo.	DESCRIPTION	QTY.
1	STM3P	3 TREAD PLATFORM	1
2	STMF2A	FIXED LEG ASSEMBLY 200	4

APPLICATION

Kee Walk® Step Over System provides a safe, anti-slip, level walking surface for means of access to and across roofs. It provides a demarcation route which protects the roof membrane from unnecessary foot traffic and potential damage. Supplied partially assembled. For flat roofs.

COMPONENT SPECIFICATION

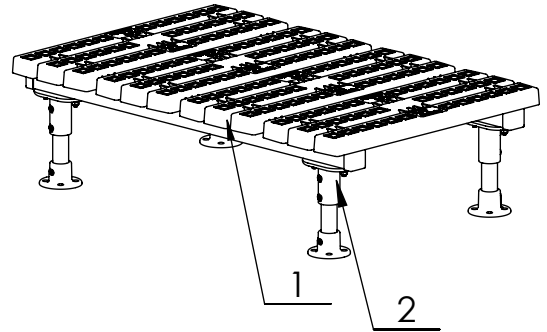
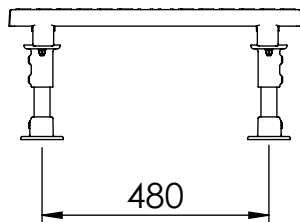
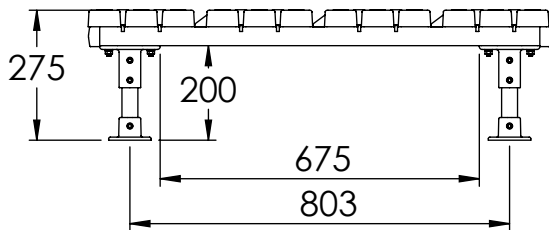
Material	Malleable Cast Iron / Aluminium Alloy / High Grade Nylon / Mild Steel
Finish	Galvanised to BS EN ISO 1461 / Natural / HDG
Weight	14.05kg

Technical Datasheet No: 0009

STMFx24 - FIXED STEP OVER 200

Part No: STMFx2004

Short Part No: STMFx24



ITEM NO.	SHORTNo.	DESCRIPTION	QTY.
1	STM4P	4 TREAD PLATFORM	1
2	STMFx2A	FIXED LEG ASSEMBLY 200	4

APPLICATION

Kee Walk® Step Over System provides a safe, anti-slip, level walking surface for means of access to and across roofs. It provides a demarcation route which protects the roof membrane from unnecessary foot traffic and potential damage. Supplied partially assembled. For flat roofs.

COMPONENT SPECIFICATION

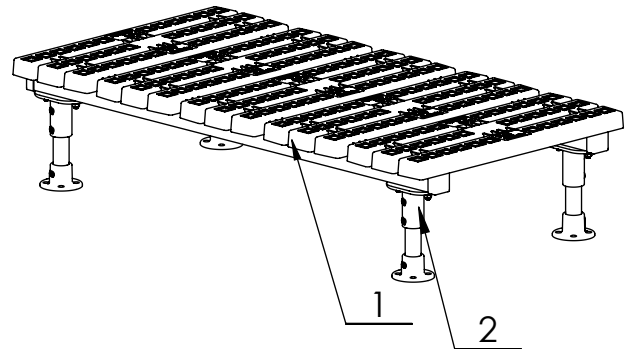
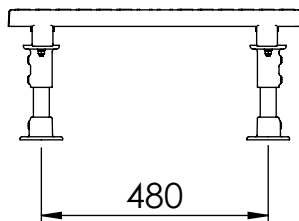
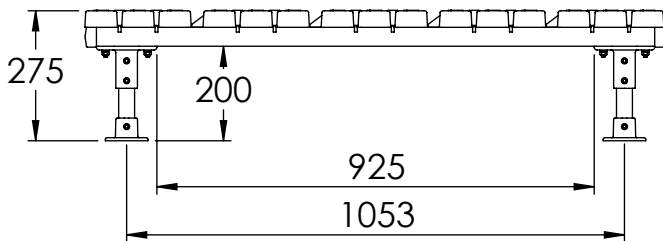
Material	Malleable Cast Iron / Aluminium Alloy / High Grade Nylon / Mild Steel
Finish	Galvanised to BS EN ISO 1461 / Natural / HDG
Weight	15.55kg

Technical Datasheet No: 0010

STMFx25 - FIXED STEP OVER 200

Part No: STMFx2005

Short Part No: STMFx25



ITEM NO.	SHORTNo.	DESCRIPTION	QTY.
1	STMN5P	5 TREAD PLATFORM	1
2	STMFx2A	FIXED LEG ASSEMBLY 200	4

APPLICATION

Kee Walk® Step Over System provides a safe, anti-slip, level walking surface for means of access to and across roofs. It provides a demarcation route which protects the roof membrane from unnecessary foot traffic and potential damage. Supplied partially assembled. For flat roofs.

COMPONENT SPECIFICATION

Material	Malleable Cast Iron / Aluminium Alloy / High Grade Nylon / Mild Steel
Finish	Galvanised to BS EN ISO 1461 / Natural / HDG
Weight	17.05kg

Issue Date: 20/04/2021

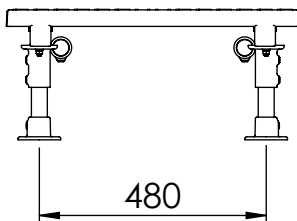
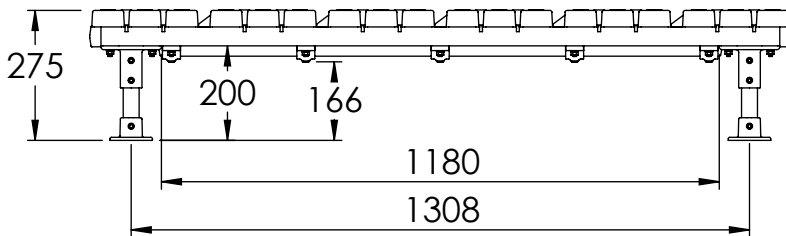
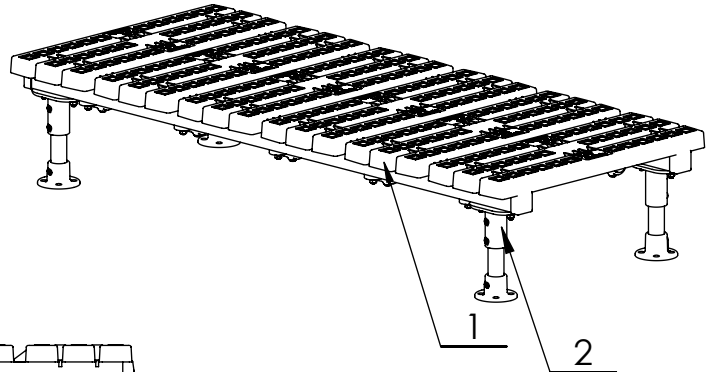
Issue No: 3

Technical Datasheet No: 0011

STMFx2SP6 - FIXED STEP OVER 166

Part No: STMFx2SP6

Short Part No: STMFx2SP6



ITEM NO.	SHORTNo.	DESCRIPTION	QTY.
1	KWMSUP006	6 TREAD PLATFORM	1
2	STMFx2A	FIXED LEG ASSEMBLY 200	4

APPLICATION

Kee Walk® Step Over System provides a safe, anti-slip, level walking surface for means of access to and across roofs. It provides a demarcation route which protects the roof membrane from unnecessary foot traffic and potential damage. Supplied partially assembled. For flat roofs.

COMPONENT SPECIFICATION

Material	Malleable Cast Iron / Aluminium Alloy / High Grade Nylon / Mild Steel
Finish	Galvanised to BS EN ISO 1461 / Natural / HDG
Weight	26.10kg

Issue Date: 13/05/2021

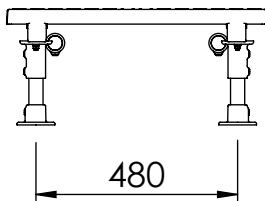
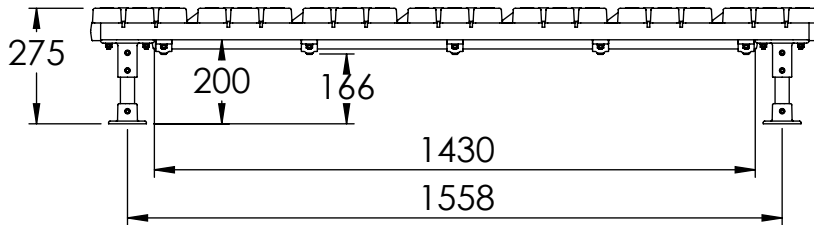
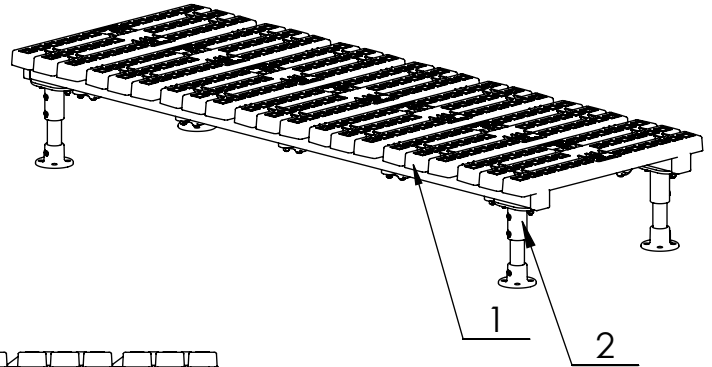
Issue No: 2

Technical Datasheet No: 0012

STMFx2SP7 - FIXED STEP OVER 166

Part No: STMFx2SP7

Short Part No: STMFx2SP7



ITEM NO.	SHORTNo.	DESCRIPTION	QTY.
1	KWMSUP007	7 TREAD PLATFORM	1
2	STMFx2A	FIXED LEG ASSEMBLY 200	4

APPLICATION

Kee Walk® Step Over System provides a safe, anti-slip, level walking surface for means of access to and across roofs. It provides a demarcation route which protects the roof membrane from unnecessary foot traffic and potential damage. Supplied partially assembled. For flat roofs.

COMPONENT SPECIFICATION

Material	Malleable Cast Iron / Aluminium Alloy / High Grade Nylon / Mild Steel
Finish	Galvanised to BS EN ISO 1461 / Natural / HDG
Weight	29.12kg

Issue Date: 13/05/2021

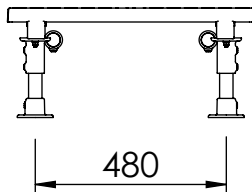
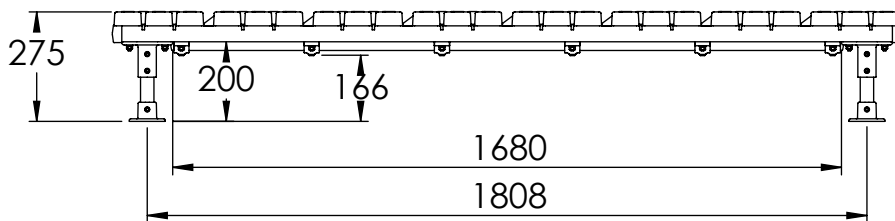
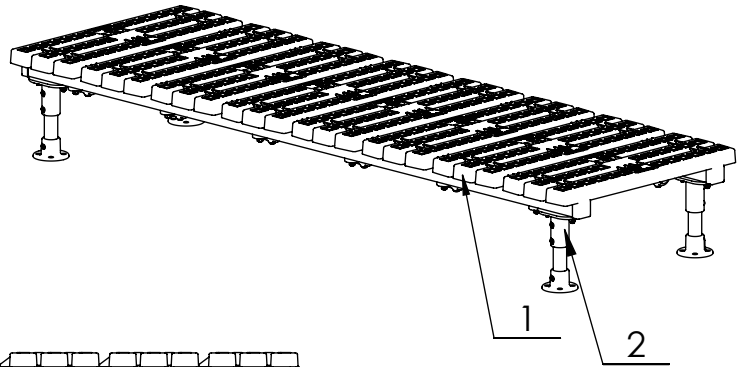
Issue No: 2

Technical Datasheet No: 0013

STMFx2SP8 - FIXED STEP OVER 166

Part No: STMFx2SP8

Short Part No: STMFx2SP8



ITEM NO.	SHORTNo.	DESCRIPTION	QTY.
1	KWMSUP008	8 TREAD PLATFORM	1
2	STMFx2A	FIXED LEG ASSEMBLY 200	4

APPLICATION

Kee Walk® Step Over System provides a safe, anti-slip, level walking surface for means of access to and across roofs. It provides a demarcation route which protects the roof membrane from unnecessary foot traffic and potential damage. Supplied partially assembled. For flat roofs.

COMPONENT SPECIFICATION

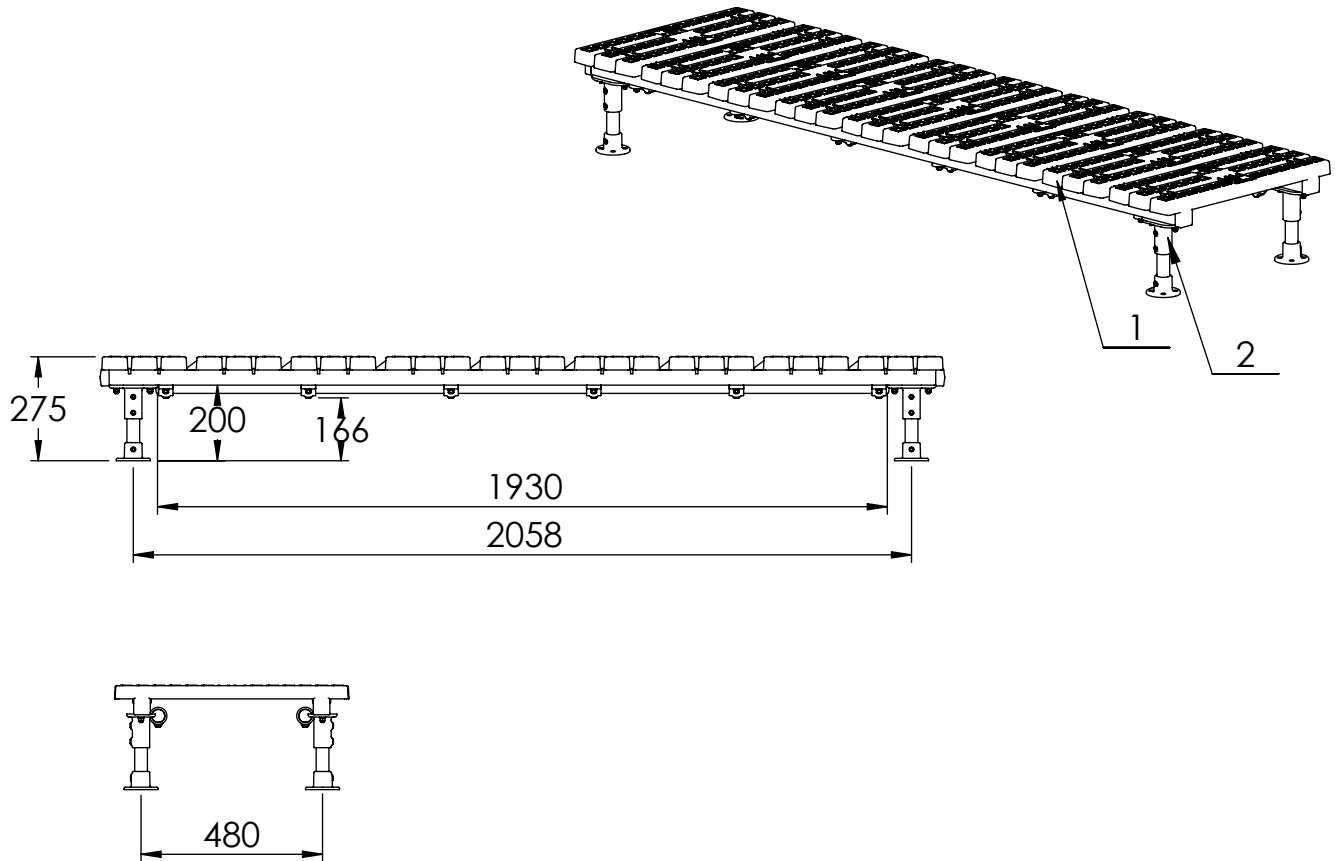
Material	Malleable Cast Iron / Aluminium Alloy / High Grade Nylon / Mild Steel
Finish	Galvanised to BS EN ISO 1461 / Natural / HDG
Weight	32.73kg

Technical Datasheet No: 0014

STMFx2SP9 - FIXED STEP OVER 166

Part No: STMFx2SP9

Short Part No: STMFx2SP9



ITEM NO.	SHORTNo.	DESCRIPTION	QTY.
1	KWMSUP009	9 TREAD PLATFORM	1
2	STMFx2A	FIXED LEG ASSEMBLY 200	4

APPLICATION

Kee Walk® Step Over System provides a safe, anti-slip, level walking surface for means of access to and across roofs. It provides a demarcation route which protects the roof membrane from unnecessary foot traffic and potential damage. Supplied partially assembled. For flat roofs.

COMPONENT SPECIFICATION

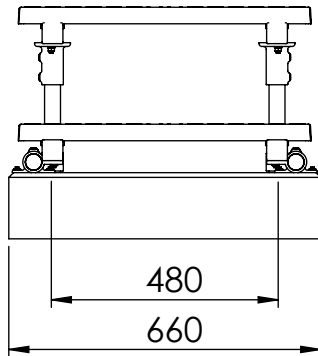
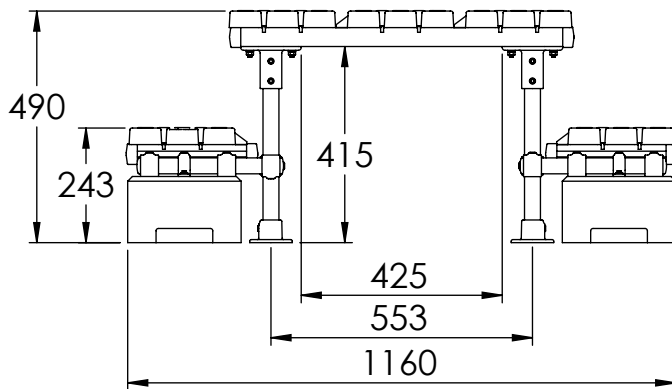
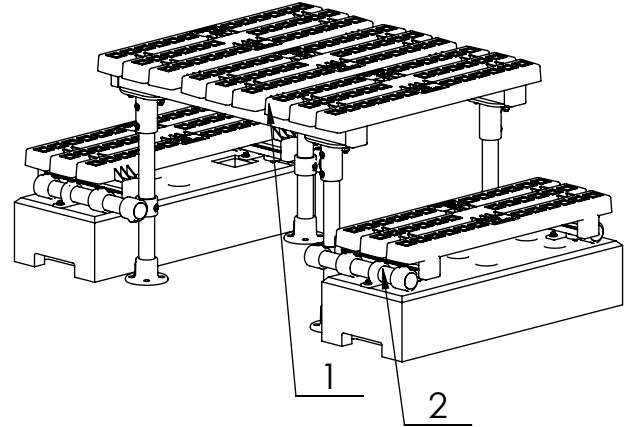
Material	Malleable Cast Iron / Aluminium Alloy / High Grade Nylon / Mild Steel
Finish	Galvanised to BS EN ISO 1461 / Natural / HDG
Weight	35.75kg

Technical Datasheet No: 0015

STMFS43 - FREESTANDING STEP OVER 400

Part No: STMFS4003

Short Part No: STMFS43



ITEM NO.	SHORTNo.	DESCRIPTION	QTY.
1	STM3P	3 TREAD PLATFORM	1
2	STMFS4A	FREESTANDING LEG ASSEMBLY 400	2

APPLICATION

Kee Walk® Step Over System provides a safe, anti-slip, level walking surface for means of access to and across roofs. It provides a demarcation route which protects the roof membrane from unnecessary foot traffic and potential damage. Supplied partially assembled. For flat roofs.

COMPONENT SPECIFICATION

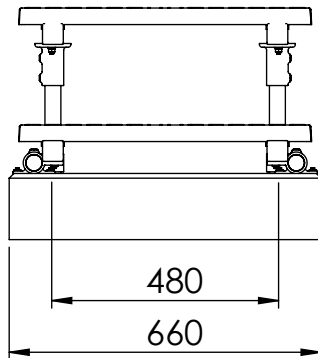
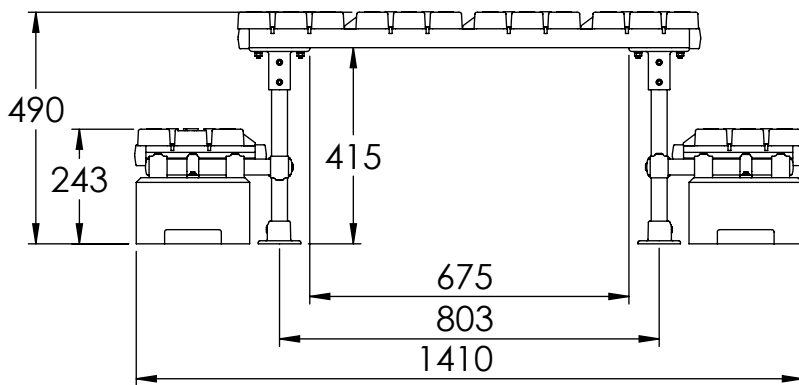
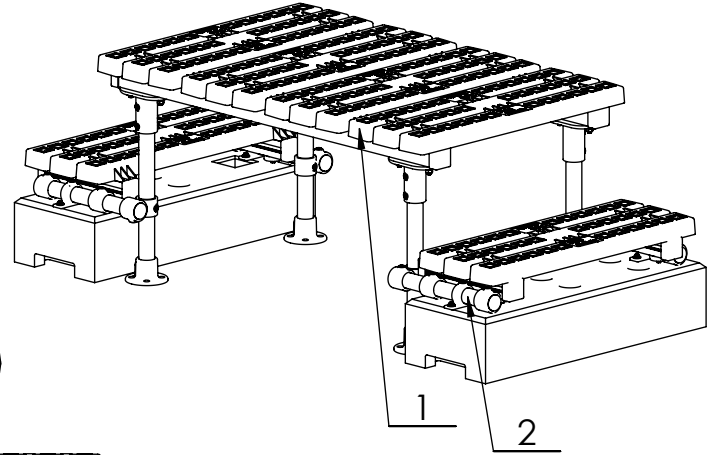
Material	Malleable Cast Iron / Aluminium Alloy / High Grade Nylon / PVC Rigid / Mild Steel
Finish	Galvanised to BS EN ISO 1461 / Natural / HDG
Weight	83.93kg

Technical Datasheet No: 0016

STMFS44 - FREESTANDING STEP OVER 400

Part No: STMFS4004

Short Part No: STMFS44



ITEM NO.	SHORTNo.	DESCRIPTION	QTY.
1	STM4P	4 TREAD PLATFORM	1
2	STMFS4A	FREESTANDING LEG ASSEMBLY 400	2

APPLICATION

Kee Walk® Step Over System provides a safe, anti-slip, level walking surface for means of access to and across roofs. It provides a demarcation route which protects the roof membrane from unnecessary foot traffic and potential damage. Supplied partially assembled. For flat roofs.

COMPONENT SPECIFICATION

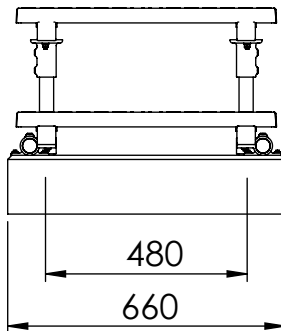
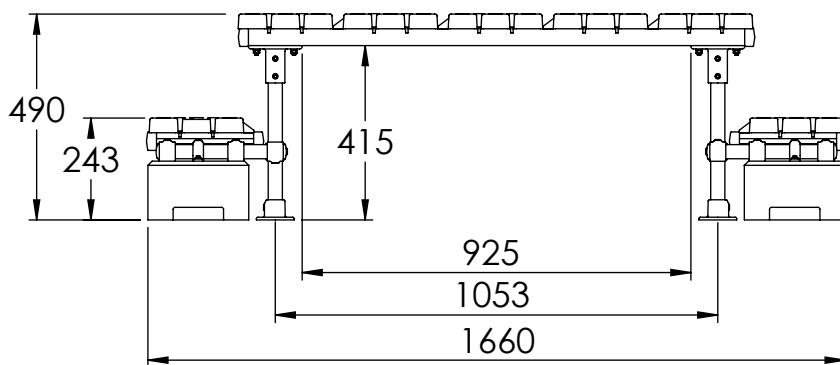
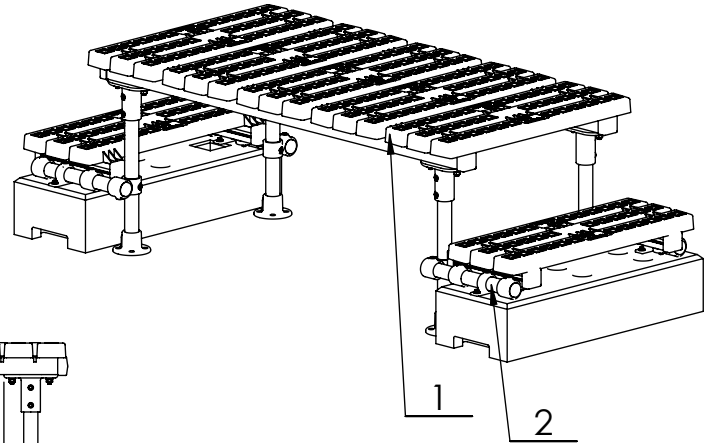
Material	Malleable Cast Iron / Aluminium Alloy / High Grade Nylon / PVC Rigid / Mild Steel
Finish	Galvanised to BS EN ISO 1461 / Natural / HDG
Weight	85.43kg

Technical Datasheet No: 0017

STMFS45 - FREESTANDING STEP OVER 400

Part No: STMFS4005

Short Part No: STMFS45



ITEM NO.	SHORTNo.	DESCRIPTION	QTY.
1	STMN5P	5 TREAD PLATFORM	1
2	STMFS4A	FREESTANDING LEG ASSEMBLY 400	2

APPLICATION

Kee Walk® Step Over System provides a safe, anti-slip, level walking surface for means of access to and across roofs. It provides a demarcation route which protects the roof membrane from unnecessary foot traffic and potential damage. Supplied partially assembled. For flat roofs.

COMPONENT SPECIFICATION

Material	Malleable Cast Iron / Aluminium Alloy / High Grade Nylon / PVC Rigid / Mild Steel
Finish	Galvanised to BS EN ISO 1461 / Natural / HDG
Weight	86.93kg

Issue Date: 01/12/2022

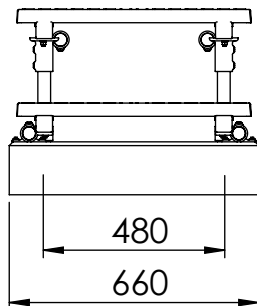
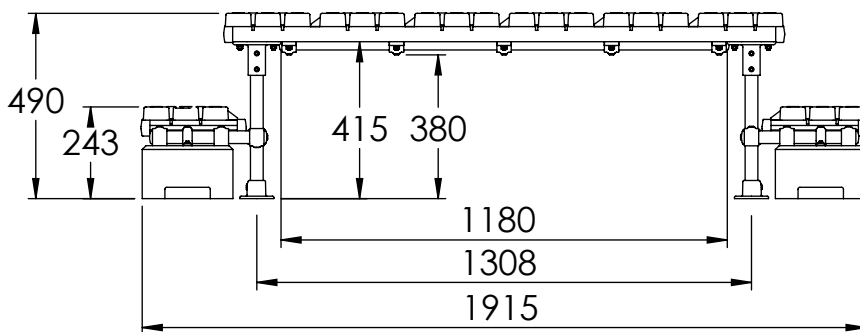
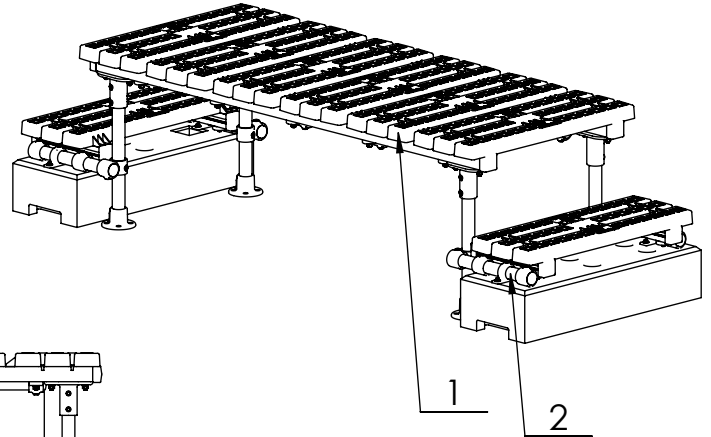
Issue No: 5

Technical Datasheet No: 0018

STMFS4SP6 - FREESTANDING STEP OVER 380

Part No: STMFS4SP6

Short Part No: STMFS4SP6



ITEM NO.	SHORTNo.	DESCRIPTION	QTY.
1	KWMSUP006	6 TREAD PLATFORM	1
2	STMFS4A	FREESTANDING LEG ASSEMBLY 400	2

APPLICATION

Kee Walk® Step Over System provides a safe, anti-slip, level walking surface for means of access to and across roofs. It provides a demarcation route which protects the roof membrane from unnecessary foot traffic and potential damage. Supplied partially assembled. For flat roofs.

COMPONENT SPECIFICATION

Material	Malleable Cast Iron / Aluminium Alloy / High Grade Nylon / PVC Rigid / Mild Steel
Finish	Galvanised to BS EN ISO 1461 / Natural / HDG
Weight	90.82kg

Issue Date: 01/12/2022

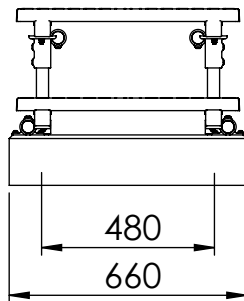
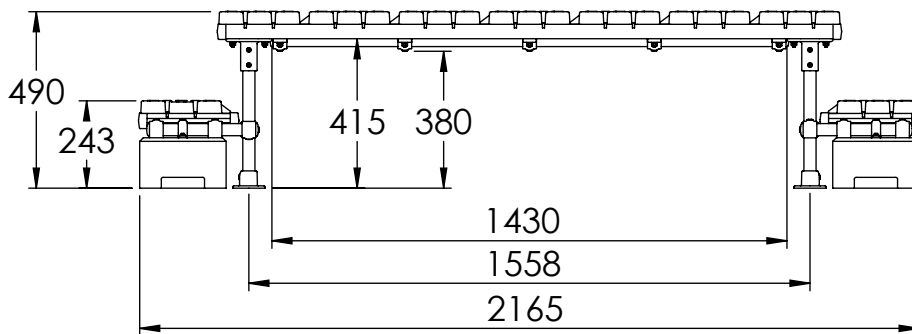
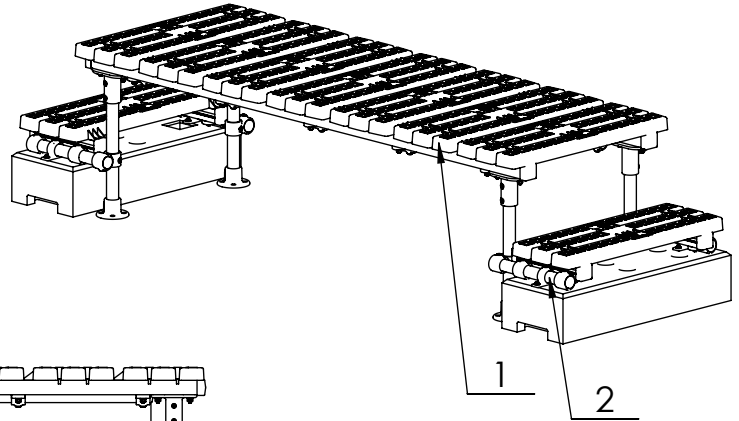
Issue No: 3

Technical Datasheet No: 0019

STMFS4SP7 - FREESTANDING STEP OVER 380

Part No: STMFS4SP7

Short Part No: STMFS4SP7



ITEM NO.	SHORTNo.	DESCRIPTION	QTY.
1	KWMSUP007	7 TREAD PLATFORM	1
2	STMFS4A	FREESTANDING LEG ASSEMBLY 400	2

APPLICATION

Kee Walk® Step Over System provides a safe, anti-slip, level walking surface for means of access to and across roofs. It provides a demarcation route which protects the roof membrane from unnecessary foot traffic and potential damage. Supplied partially assembled. For flat roofs.

COMPONENT SPECIFICATION

Material	Malleable Cast Iron / Aluminium Alloy / High Grade Nylon / PVC Rigid / Mild Steel
Finish	Galvanised to BS EN ISO 1461 / Natural / HDG
Weight	85.75kg

Issue Date: 01/12/2022

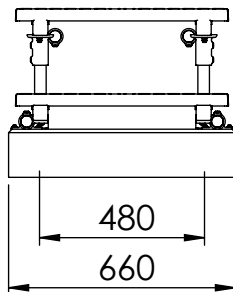
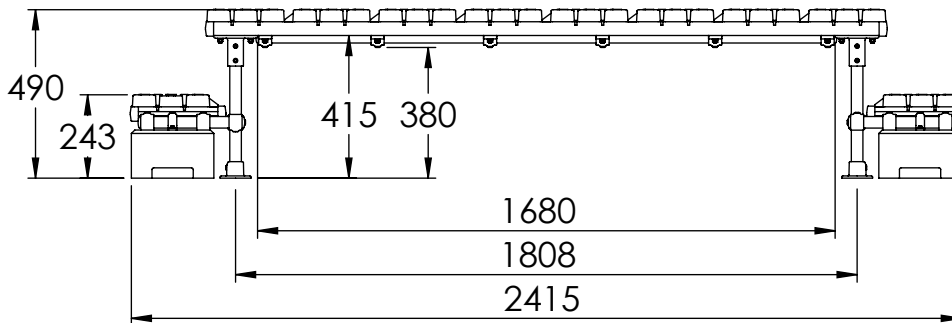
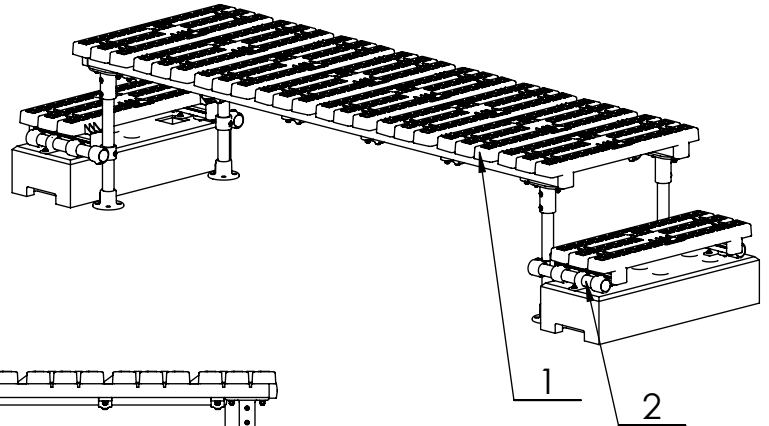
Issue No: 3

Technical Datasheet No: 0020

STMFS4SP8 - FREESTANDING STEP OVER 380

Part No: STMFS4SP8

Short Part No: STMFS4SP8



ITEM NO.	SHORTNo.	DESCRIPTION	QTY.
1	KWMSUP008	8 TREAD PLATFORM	1
2	STMFS4A	FREESTANDING LEG ASSEMBLY 400	2

APPLICATION

Kee Walk® Step Over System provides a safe, anti-slip, level walking surface for means of access to and across roofs. It provides a demarcation route which protects the roof membrane from unnecessary foot traffic and potential damage. Supplied partially assembled. For flat roofs.

COMPONENT SPECIFICATION

Material	Malleable Cast Iron / Aluminium Alloy / High Grade Nylon / PVC Rigid / Mild Steel
Finish	Galvanised to BS EN ISO 1461 / Natural / HDG
Weight	89.36kg

Issue Date: 01/12/2022

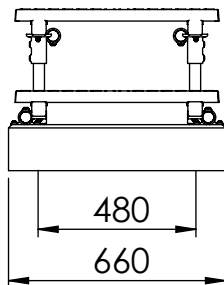
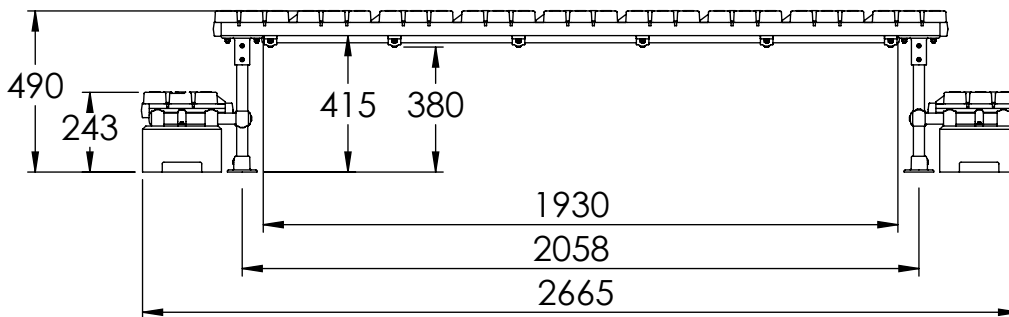
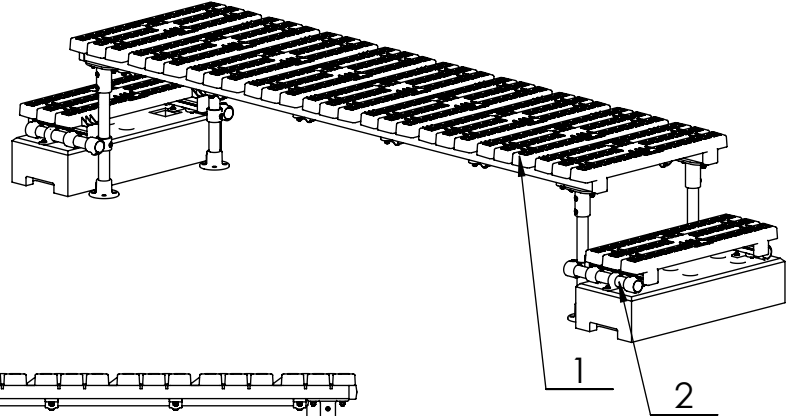
Issue No:3

Technical Datasheet No: 0021

STMFS4SP9 - FREESTANDING STEP OVER 380

Part No: STMFS4SP9

Short Part No: STMFS4SP9



ITEM NO.	SHORTNo.	DESCRIPTION	QTY.
1	KWMSUP009	9 TREAD PLATFORM	1
2	STMFS4A	FREESTANDING LEG ASSEMBLY 400	2

APPLICATION

Kee Walk® Step Over System provides a safe, anti-slip, level walking surface for means of access to and across roofs. It provides a demarcation route which protects the roof membrane from unnecessary foot traffic and potential damage. Supplied partially assembled. For flat roofs.

COMPONENT SPECIFICATION

Material	Malleable Cast Iron / Aluminium Alloy / High Grade Nylon / PVC Rigid / Mild Steel
Finish	Galvanised to BS EN ISO 1461 / Natural / HDG
Weight	92.39kg

Issue Date: 01/12/2022

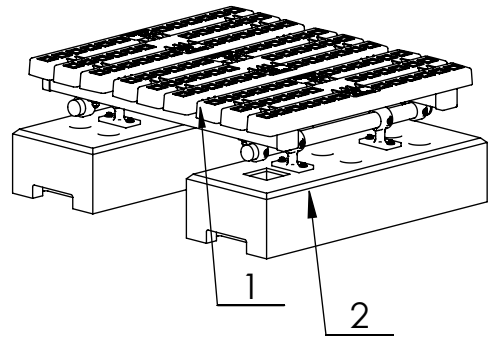
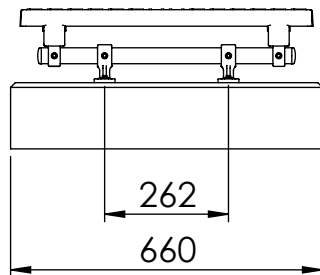
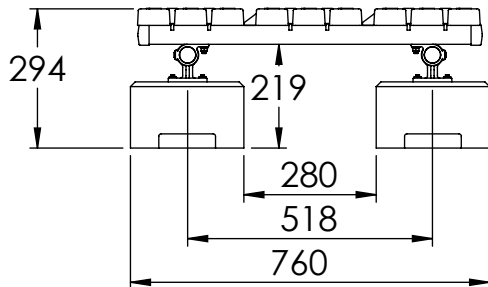
Issue No:3

Technical Datasheet No: 0022

STMFS23 - FREESTANDING STEP OVER 200

Part No: STMFS2003

Short Part No: STMFS23



ITEM NO.	SHORTNo.	DESCRIPTION	QTY.
1	STM3P	3 TREAD PLATFORM	1
2	STMFS2AS	FREESTANDING LEG ASSEMBLY 200	2

APPLICATION

Kee Walk® Step Over System provides a safe, anti-slip, level walking surface for means of access to and across roofs. It provides a demarcation route which protects the roof membrane from unnecessary foot traffic and potential damage. Supplied partially assembled. For flat roofs.

COMPONENT SPECIFICATION

Material	Malleable Cast Iron / Aluminium Alloy / High Grade Nylon / PVC Rigid / Mild Steel
Finish	Galvanised to BS EN ISO 1461 / Natural / HDG
Weight	65.63kg

Issue Date: 01/12/2022

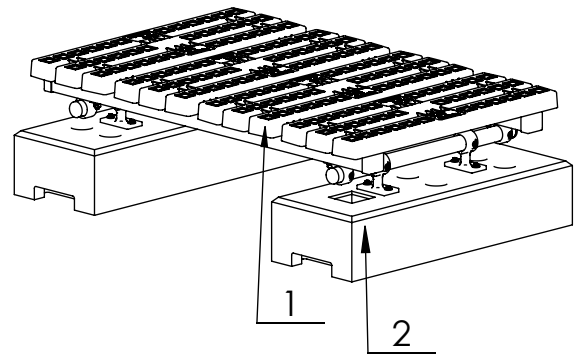
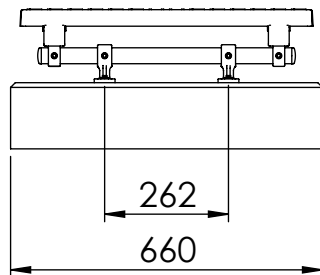
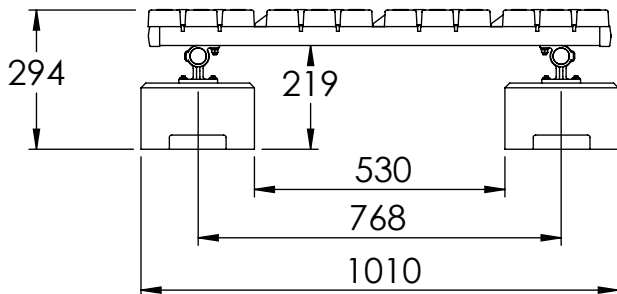
Issue No: 4

Technical Datasheet No: 0023

STMFS24 - FREESTANDING STEP OVER 200

Part No: STMFS2004

Short Part No: STMFS24



ITEM NO.	SHORTNo.	DESCRIPTION	QTY.
1	STM4P	4 TREAD PLATFORM	1
2	STMFS2AS	FREESTANDING LEG ASSEMBLY 200	2

APPLICATION

Kee Walk® Step Over System provides a safe, anti-slip, level walking surface for means of access to and across roofs. It provides a demarcation route which protects the roof membrane from unnecessary foot traffic and potential damage. Supplied partially assembled. For flat roofs.

COMPONENT SPECIFICATION

Material	Malleable Cast Iron / Aluminium Alloy / High Grade Nylon / PVC Rigid / Mild Steel
Finish	Galvanised to BS EN ISO 1461 / Natural / HDG
Weight	67.13kg

Issue Date: 01/12/2022

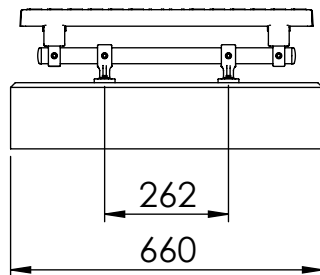
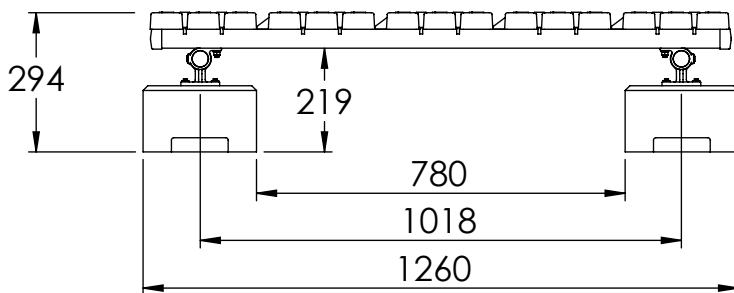
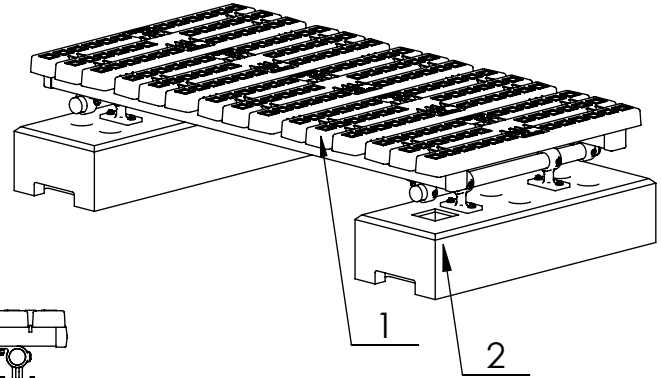
Issue No: 4

Technical Datasheet No: 0024

STMFS25 - FREESTANDING STEP OVER 200

Part No: STMFS2005

Short Part No: STMFS25



ITEM NO.	SHORTNo.	DESCRIPTION	QTY.
1	STMN5P	5 TREAD PLATFORM	1
2	STMFS2AS	FREESTANDING LEG ASSEMBLY 200	2

APPLICATION

Kee Walk® Step Over System provides a safe, anti-slip, level walking surface for means of access to and across roofs. It provides a demarcation route which protects the roof membrane from unnecessary foot traffic and potential damage. Supplied partially assembled. For flat roofs.

COMPONENT SPECIFICATION

Material	Malleable Cast Iron / Aluminium Alloy / High Grade Nylon / PVC Rigid / Mild Steel
Finish	Galvanised to BS EN ISO 1461 / Natural / HDG
Weight	68.63kg

Issue Date: 01/12/2022

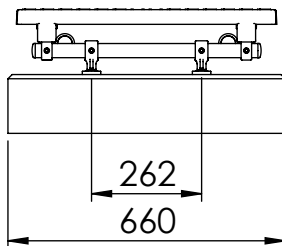
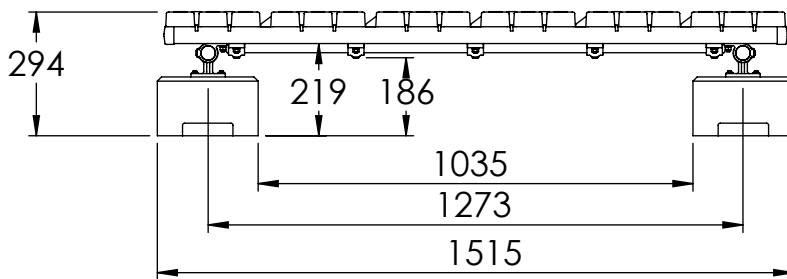
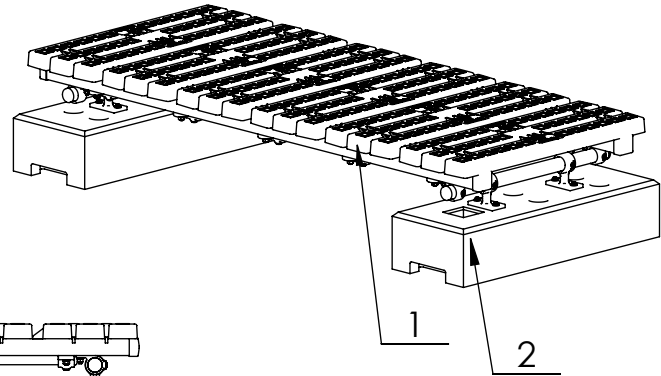
Issue No: 4

Technical Datasheet No: 0025

STMFS2SP6 - FREESTANDING STEP OVER 187

Part No: STMFS2SP6

Short Part No: STMFS2SP6



ITEM NO.	SHORTNo.	DESCRIPTION	QTY.
1	KWMSUP006	6 TREAD PLATFORM	1
2	STMFS2AS	FREESTANDING LEG ASSEMBLY 200	2

APPLICATION

Kee Walk® Step Over System provides a safe, anti-slip, level walking surface for means of access to and across roofs. It provides a demarcation route which protects the roof membrane from unnecessary foot traffic and potential damage. Supplied partially assembled. For flat roofs.

COMPONENT SPECIFICATION

Material	Malleable Cast Iron / Aluminium Alloy / High Grade Nylon / PVC Rigid / Mild Steel
Finish	Galvanised to BS EN ISO 1461 / Natural / HDG
Weight	68.19kg

Issue Date: 01/12/2022

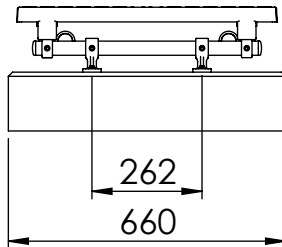
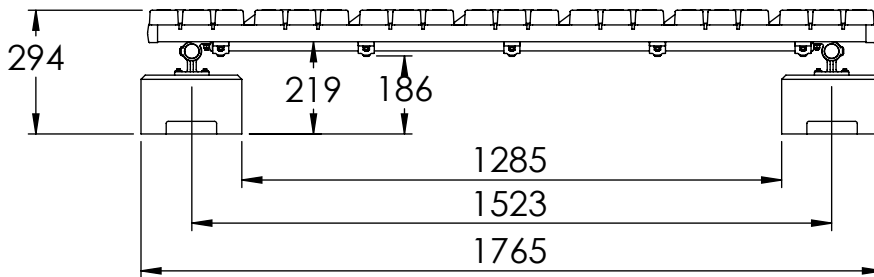
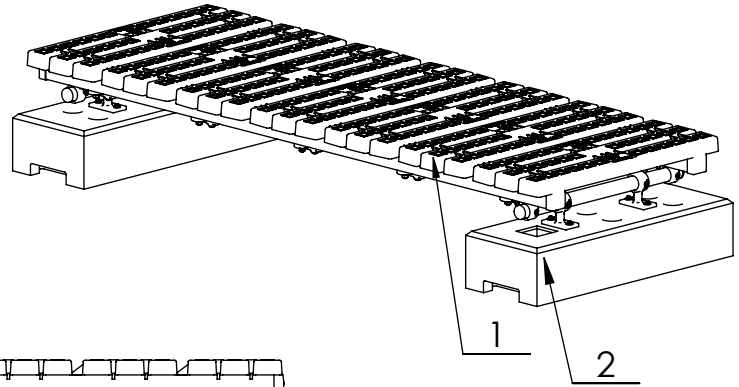
Issue No: 2

Technical Datasheet No: 0026

STMFS2SP7 - FREESTANDING STEP OVER 187

Part No: STMFS2SP7

Short Part No: STMFS2SP7



ITEM NO.	SHORTNo.	DESCRIPTION	QTY.
1	KWMSUP007	7 TREAD PLATFORM	1
2	STMFS2AS	FREESTANDING LEG ASSEMBLY 200	2

APPLICATION

Kee Walk® Step Over System provides a safe, anti-slip, level walking surface for means of access to and across roofs. It provides a demarcation route which protects the roof membrane from unnecessary foot traffic and potential damage. Supplied partially assembled. For flat roofs.

COMPONENT SPECIFICATION

Material	Malleable Cast Iron / Aluminium Alloy / High Grade Nylon / PVC Rigid / Mild Steel
Finish	Galvanised to BS EN ISO 1461 / Natural / HDG
Weight	71.22kg

Issue Date: 01/12/2022

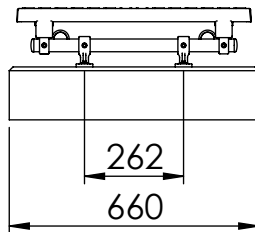
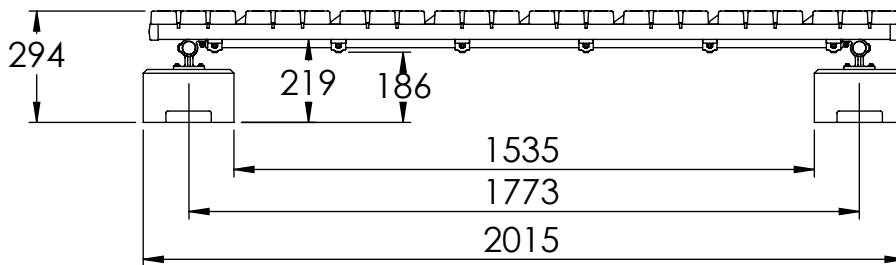
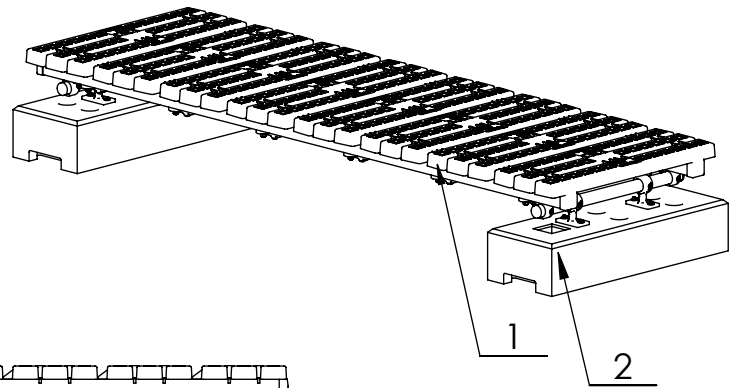
Issue No: 3

Technical Datasheet No: 0027

STMFS2SP8 - FREESTANDING STEP OVER 187

Part No: STMFS2SP8

Short Part No: STMFS2SP8



ITEM NO.	SHORTNo.	DESCRIPTION	QTY.
1	KWMSUP008	8 TREAD PLATFORM	1
2	STMFS2AS	FREESTANDING LEG ASSEMBLY 200	2

APPLICATION

Kee Walk® Step Over System provides a safe, anti-slip, level walking surface for means of access to and across roofs. It provides a demarcation route which protects the roof membrane from unnecessary foot traffic and potential damage. Supplied partially assembled. For flat roofs.

COMPONENT SPECIFICATION

Material	Malleable Cast Iron / Aluminium Alloy / High Grade Nylon / PVC Rigid / Mild Steel
Finish	Galvanised to BS EN ISO 1461 / Natural / HDG
Weight	74.83kg

Issue Date: 01/12/2022

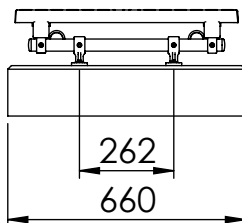
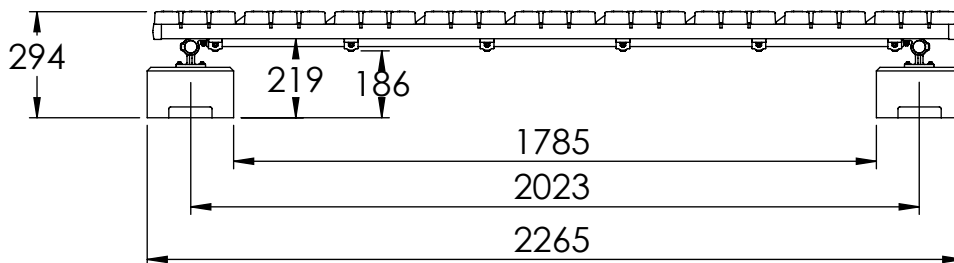
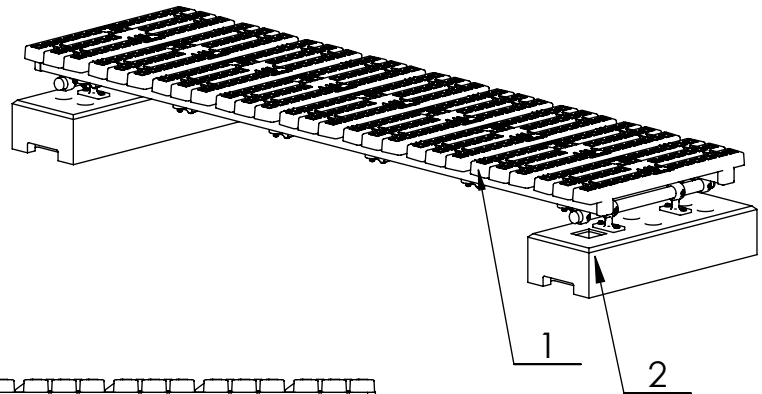
Issue No: 3

Technical Datasheet No: 0028

STMFS2SP9 - FREESTANDING STEP OVER 187

Part No: STMFS2SP9

Short Part No: STMFS2SP9



ITEM NO.	SHORTNo.	DESCRIPTION	QTY.
1	KWMSUP009	9 TREAD PLATFORM	1
2	STMFS2AS	FREESTANDING LEG ASSEMBLY 200	2

APPLICATION

Kee Walk® Step Over System provides a safe, anti-slip, level walking surface for means of access to and across roofs. It provides a demarcation route which protects the roof membrane from unnecessary foot traffic and potential damage. Supplied partially assembled. For flat roofs.

COMPONENT SPECIFICATION

Material	Malleable Cast Iron / Aluminium Alloy / High Grade Nylon / PVC Rigid / Mild Steel
Finish	Galvanised to BS EN ISO 1461 / Natural / HDG
Weight	77.85kg

Issue Date: 01/12/2022

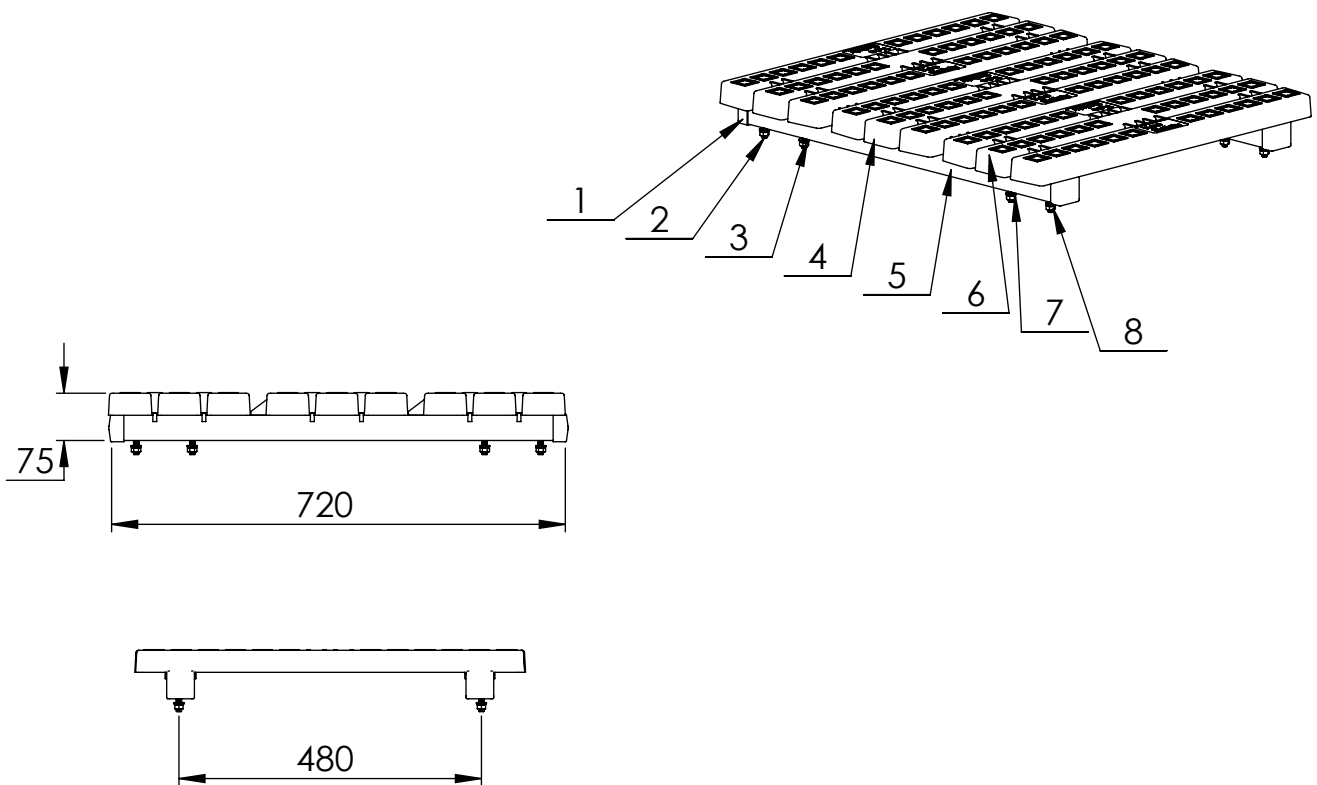
Issue No: 3

Technical Datasheet No: 0029

STM3P - 3 TREAD PLATFORM

Part No: STMIN3PLA

Short Part No: STM3P



ITEM NO.	PARTNo.	DESCRIPTION	QTY.	LENGTH
1	WW16258CP	WW1625 - BLACK VINYL PLASTIC CAP	4	
2	WW1125110	WW1125 - M8 x 25 HEX HD GR 8,8 SET SCREW	8	
3	WWM8GWA10	WWM8GW - M8 PLAIN WASHER FORM G GALV	8	
4	WW1000040	WW1000 - NYLON TREAD	3	
5	WW404030	ALUMINIUM EXTRUSION @ 720mm	2	720
6	WW6215110	6,3 x 25 HEX HD STITCHING SCREW	12	
7	WW3280110	WW3280 - M8 SPRING WASHER TYPE A GALV	8	
8	WW2180110	WW2180 - M8 HEX HD FULL NUT GR 8,8	8	

APPLICATION

Kee Walk® Step Over System Platform – When used in conjunction with required leg configuration offers safe access over trip hazards. Featuring anti slip nylon treads.

COMPONENT SPECIFICATION

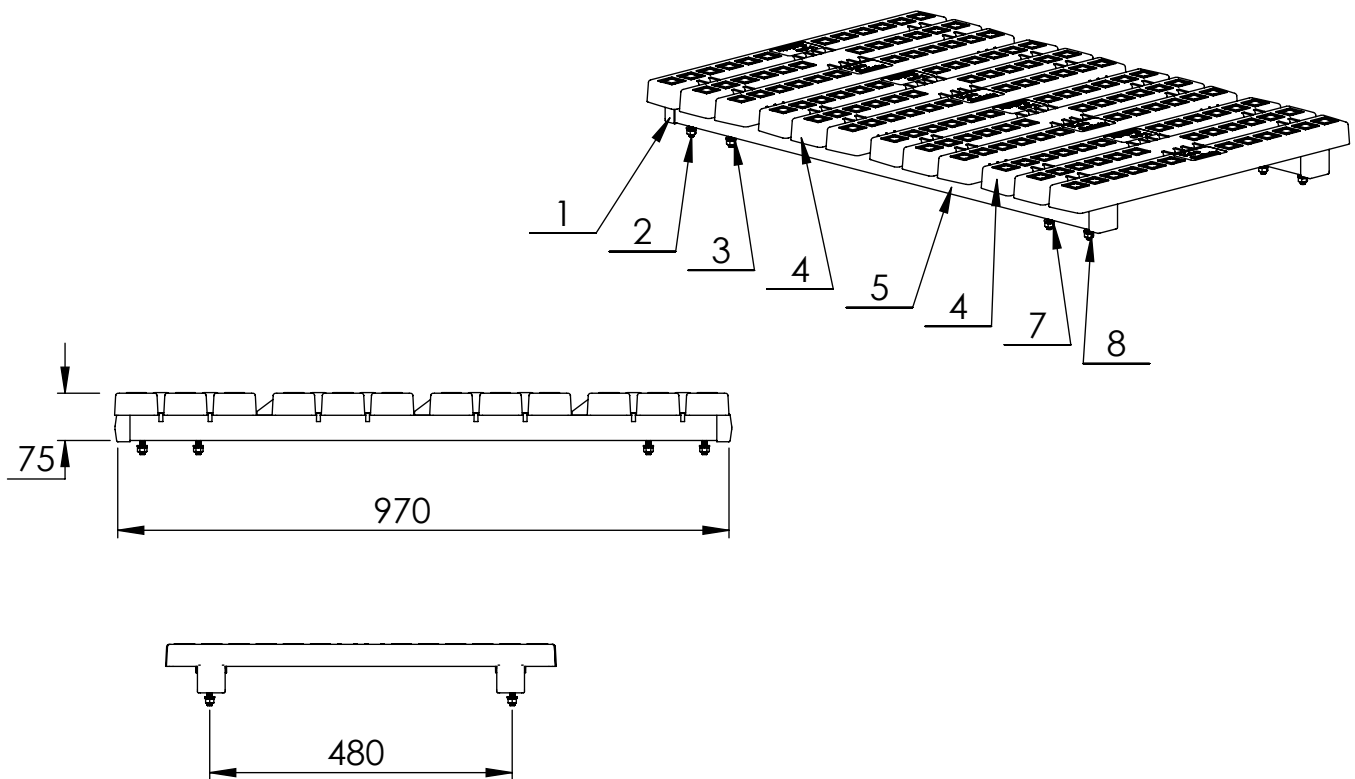
Material	Aluminium Alloy / High Grade Nylon / Mild Steel
Finish	Natural / HDG
Weight	6.70kg

Technical Datasheet No: 0030

STM4P - 4 TREAD PLATFORM

Part No: STMIN4PLA

Short Part No: STM4P



ITEM NO.	PARTNo.	DESCRIPTION	QTY.	LENGTH
1	WW16258CP	WW1625 - BLACK VINYL PLASTIC CAP	4	
2	WW1125110	WW1125 - M8 x 25 HEX HD GR 8,8 SET SCREW	8	
3	WWM8GWA10	WWM8GW - M8 PLAIN WASHER FORM G GALV	8	
4	WW1000040	WW1000 - NYLON TREAD	4	
5	WW404030	ALUMINIUM EXTRUSION @ 970mm	2	970
6	WW6215110	6,3 x 25 HEX HD STITCHING SCREW	16	
7	WW3280110	WW3280 - M8 SPRING WASHER TYPE A GALV	8	
8	WW2180110	WW2180 - M8 HEX HD FULL NUT GR 8,8	8	

APPLICATION

Kee Walk® Step Over System Platform – When used in conjunction with required leg configuration offers safe access over trip hazards. Featuring anti slip nylon treads.

COMPONENT SPECIFICATION

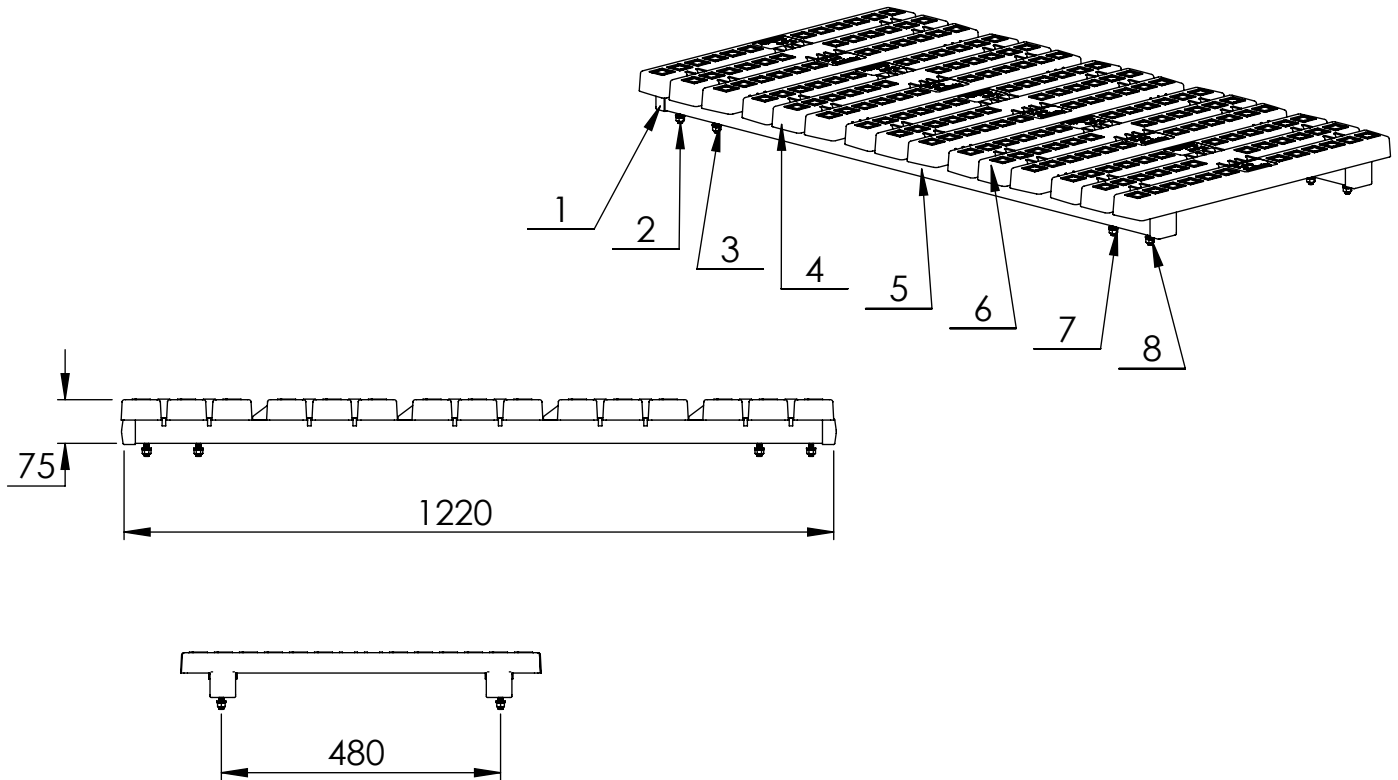
Material	Aluminium Alloy / High Grade Nylon / Mild Steel
Finish	Natural / HDG
Weight	8.92kg

Technical Datasheet No: 0031

STMN5P - 5 TREAD PLATFORM

Part No: STMIN5PLA

Short Part No: STMN5P



ITEM NO.	PARTNo.	DESCRIPTION	QTY.	LENGTH
1	WW16258CP	WW1625 - BLACK VINYL PLASTIC CAP	4	
2	WW1125110	WW1125 - M8 x 25 HEX HD GR 8,8 SET SCREW	8	
3	WWM8GWA10	WWM8GW - M8 PLAIN WASHER FORM G GALV	8	
4	WW1000040	WW1000 - NYLON TREAD	5	
5	WW404030	ALUMINIUM EXTRUSION @ 1220mm	2	1220
6	WW6215110	6,3 x 25 HEX HD STITCHING SCREW	20	
7	WW3280110	WW3280 - M8 SPRING WASHER TYPE A GALV	8	
8	WW2180110	WW2180 - M8 HEX HD FULL NUT GR 8,8	8	

APPLICATION

Kee Walk® Step Over System Platform – When used in conjunction with required leg configuration offers safe access over trip hazards. Featuring anti slip nylon treads.

COMPONENT SPECIFICATION

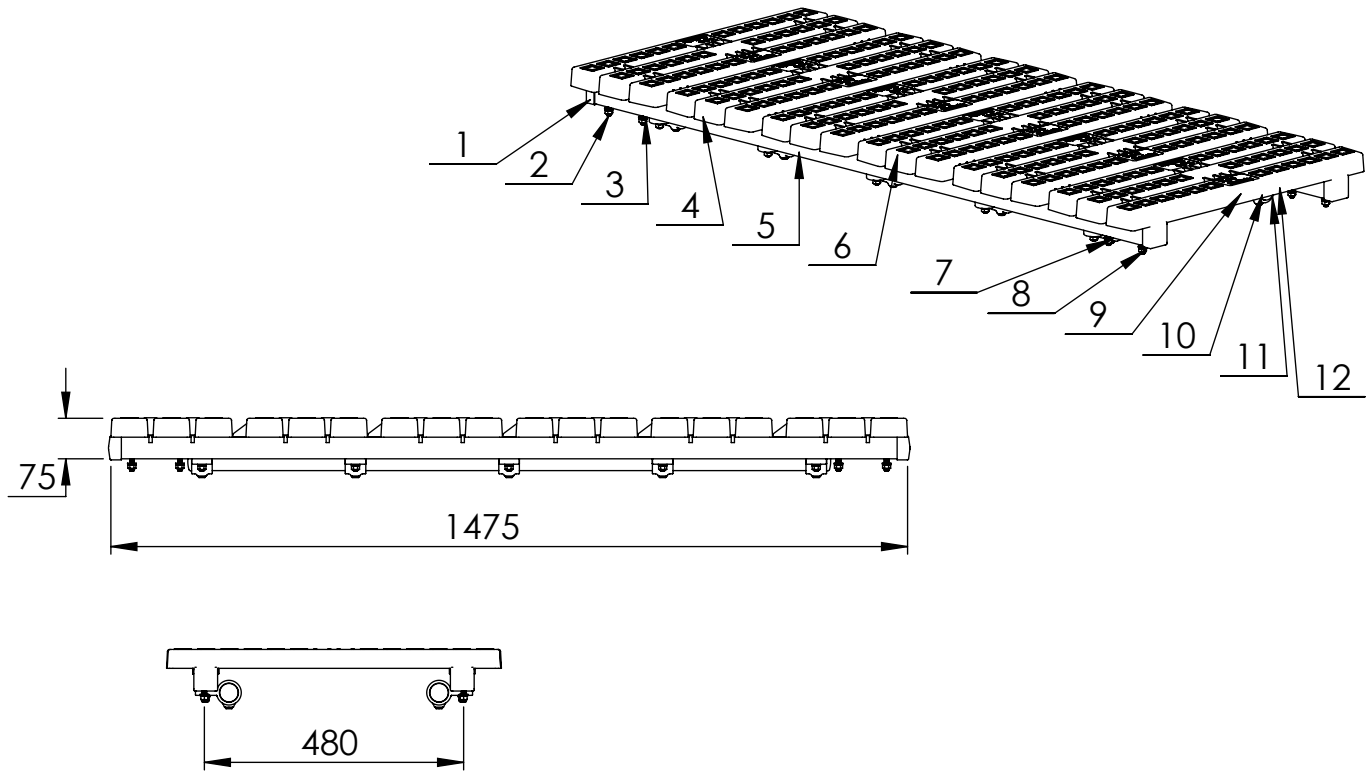
Material	Aluminium Alloy / High Grade Nylon / Mild Steel
Finish	Natural / HDG
Weight	11.15kg

Technical Datasheet No: 0032

KWMSUP006 - 6 TREAD PLATFORM

Part No: KWMSUP006

Short Part No: KWMSUP006



ITEM NO.	PARTNo.	DESCRIPTION	QTY.	LENGTH
1	WW16258CP	WW1625 - BLACK VINYL PLASTIC CAP	4	
2	WW1125110	WW1125 - M8 x 25 HEX HD GR 8,8 SET SCREW	18	
3	WWM8GWA10	WWM8GW - M8 PLAIN WASHER FORM G GALV	8	
4	WW1000040	WW1000 - NYLON TREAD	6	
5	WW404030	ALUMINIUM EXTRUSION @ 1475mm	2	1475
6	WW6215110	6,3 x 25 HEX HD STITCHING SCREW	24	
7	WW3280110	WW3280 - M8 SPRING WASHER TYPE A GALV	18	
8	WW2180110	WW2180 - M8 HEX HD FULL NUT GR 8,8	18	
9	TUBE SIZE 6	TUBE SIZE 6 @ 1175,000mm	2	1175
10	007760040	77-6 PLASTIC PLUG	4	
11	M05060010	M50-6 MALE SINGLE SWIVEL	10	
12	WW3180110	M8 PLAIN WASHER FORM A GALV	10	

APPLICATION

Kee Walk® Step Over System Platform – When used in conjunction with required leg configuration offers safe access over trip hazards. Featuring anti slip nylon treads.

COMPONENT SPECIFICATION

Material	Malleable Cast Iron / Aluminium Alloy / High Grade Nylon / PVC / Mild Steel
Finish	Galvanised to BS EN ISO 1461 / Natural / HDG
Weight	20.08kg

Issue Date: 20/04/2021

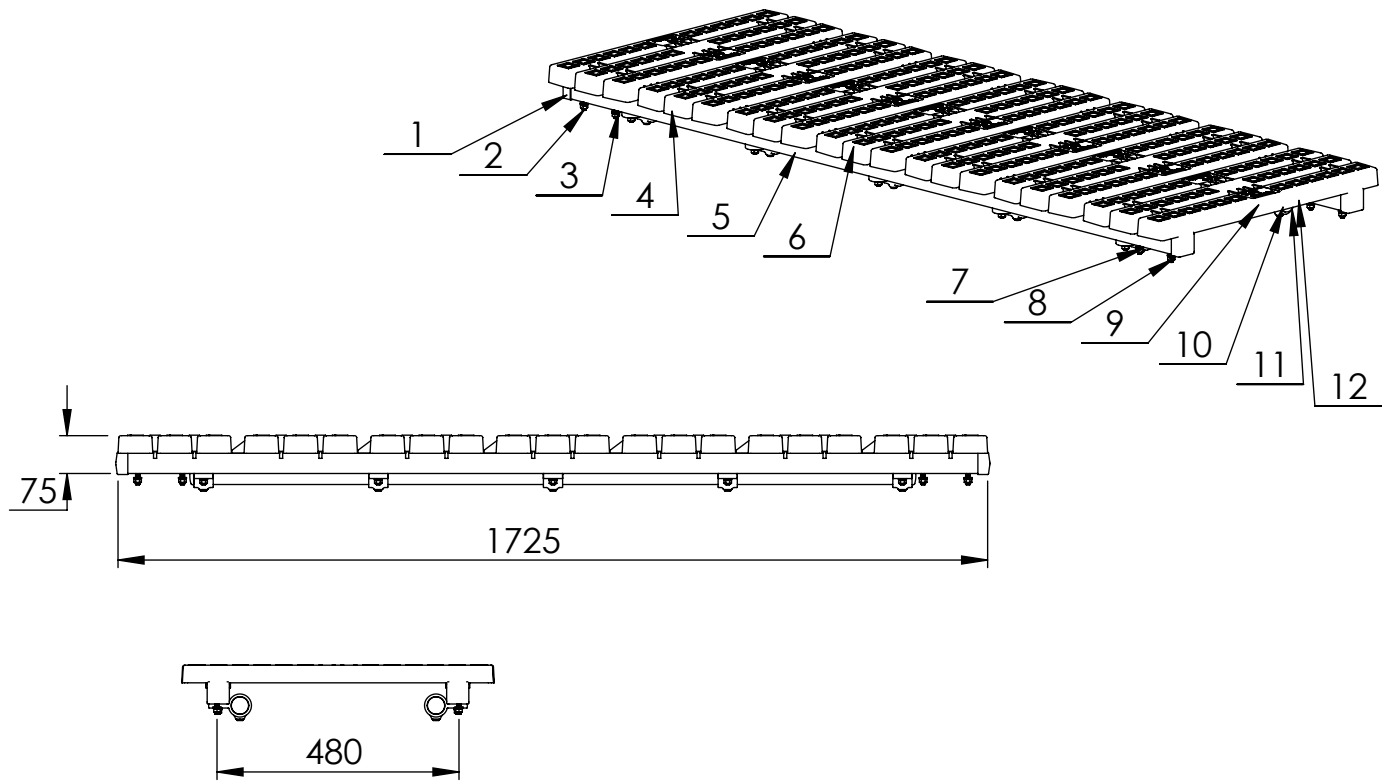
Issue No: 1

Technical Datasheet No: 0033

KWMSUP007 - 7 TREAD PLATFORM

Part No: KWMSUP007

Short Part No: KWMSUP007



ITEM NO.	PARTNo.	DESCRIPTION	QTY.	LENGTH
1	WW16258CP	WW1625 - BLACK VINYL PLASTIC CAP	4	
2	WW1125110	WW1125 - M8 x 25 HEX HD GR 8,8 SET SCREW	18	
3	WWM8GWA10	WWM8GW - M8 PLAIN WASHER FORM G GALV	8	
4	WW1000040	WW1000 - NYLON TREAD	7	
5	WW404030	ALUMINIUM EXTRUSION @ 1725mm	2	1725
6	WW6215110	6,3 x 25 HEX HD STITCHING SCREW	28	
7	WW3280110	WW3280 - M8 SPRING WASHER TYPE A GALV	18	
8	WW2180110	WW2180 - M8 HEX HD FULL NUT GR 8,8	18	
9	TUBE SIZE 6	TUBE SIZE 6 @ 1425,000mm	2	1425
10	007760040	77-6 PLASTIC PLUG	4	
11	M05060010	M50-6 MALE SINGLE SWIVEL	10	
12	WW3180110	M8 PLAIN WASHER FORM A GALV	10	

APPLICATION

Kee Walk® Step Over System Platform – When used in conjunction with required leg configuration offers safe access over trip hazards. Featuring anti slip nylon treads.

COMPONENT SPECIFICATION

Material	Malleable Cast Iron / Aluminium Alloy / High Grade Nylon / PVC / Mild Steel
Finish	Galvanised to BS EN ISO 1461 / Natural / HDG
Weight	23.11kg

Issue Date: 20/04/2021

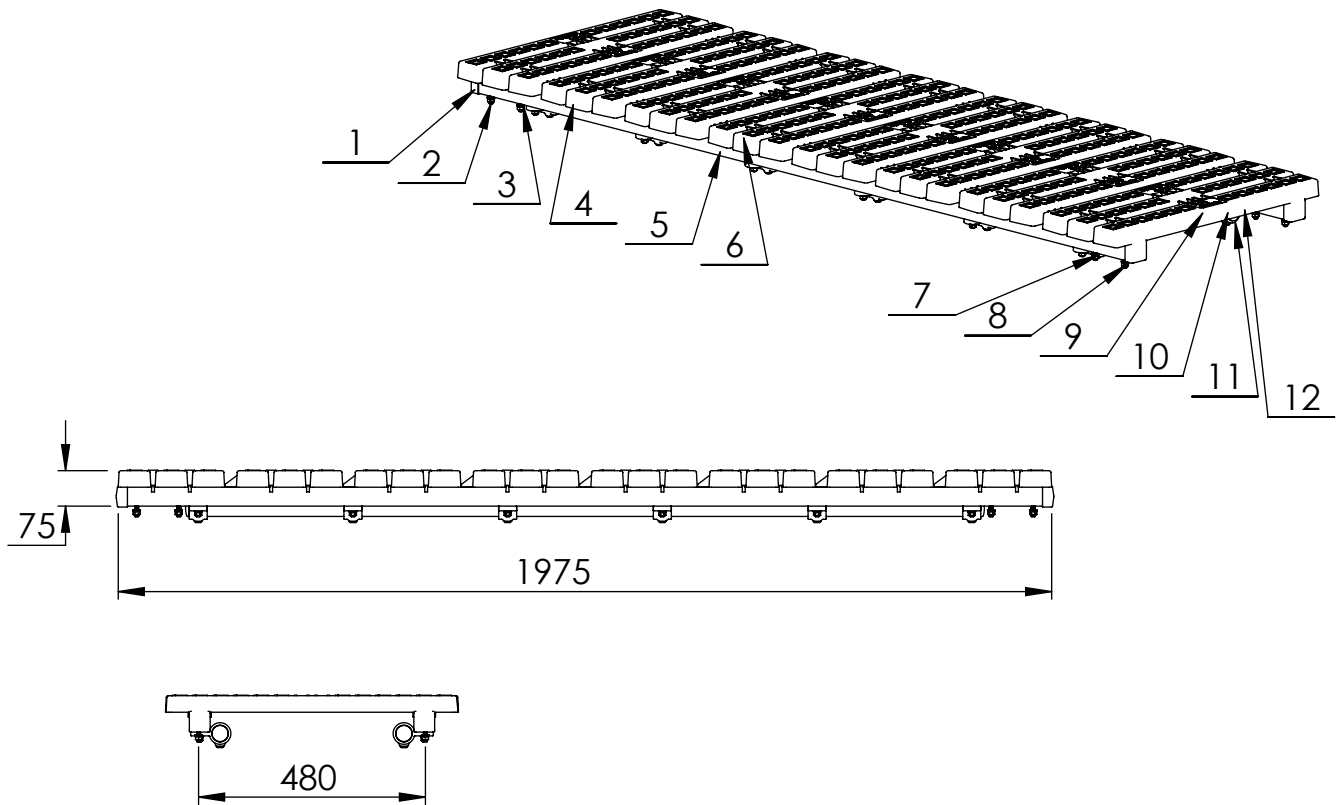
Issue No: 1

Technical Datasheet No: 0034

KWMSUP008 - 8 TREAD PLATFORM

Part No: KWMSUP008

Short Part No: KWMSUP008



ITEM NO.	PARTNo.	DESCRIPTION	QTY.	LENGTH
1	WW16258CP	WW1625 - BLACK VINYL PLASTIC CAP	4	
2	WW1125110	WW1125 - M8 x 25 HEX HD GR 8,8 SET SCREW	20	
3	WWM8GWA10	WWM8GW - M8 PLAIN WASHER FORM G GALV	8	
4	WW1000040	WW1000 - NYLON TREAD	8	
5	WW404030	ALUMINIUM EXTRUSION @ 1975mm	2	1975
6	WW6215110	6,3 x 25 HEX HD STITCHING SCREW	32	
7	WW3280110	WW3280 - M8 SPRING WASHER TYPE A GALV	20	
8	WW2180110	WW2180 - M8 HEX HD FULL NUT GR 8,8	20	
9	TUBE SIZE 6	TUBE SIZE 6 @ 1675,000mm	2	1675
10	007760040	77-6 PLASTIC PLUG	4	
11	M05060010	M50-6 MALE SINGLE SWIVEL	12	
12	WW3180110	M8 PLAIN WASHER FORM A GALV	12	

APPLICATION

Kee Walk® Step Over System Platform – When used in conjunction with required leg configuration offers safe access over trip hazards. Featuring anti slip nylon treads.

COMPONENT SPECIFICATION

Material	Malleable Cast Iron / Aluminium Alloy / High Grade Nylon / PVC / Mild Steel
Finish	Galvanised to BS EN ISO 1461 / Natural / HDG
Weight	26.72kg

Issue Date: 20/04/2021

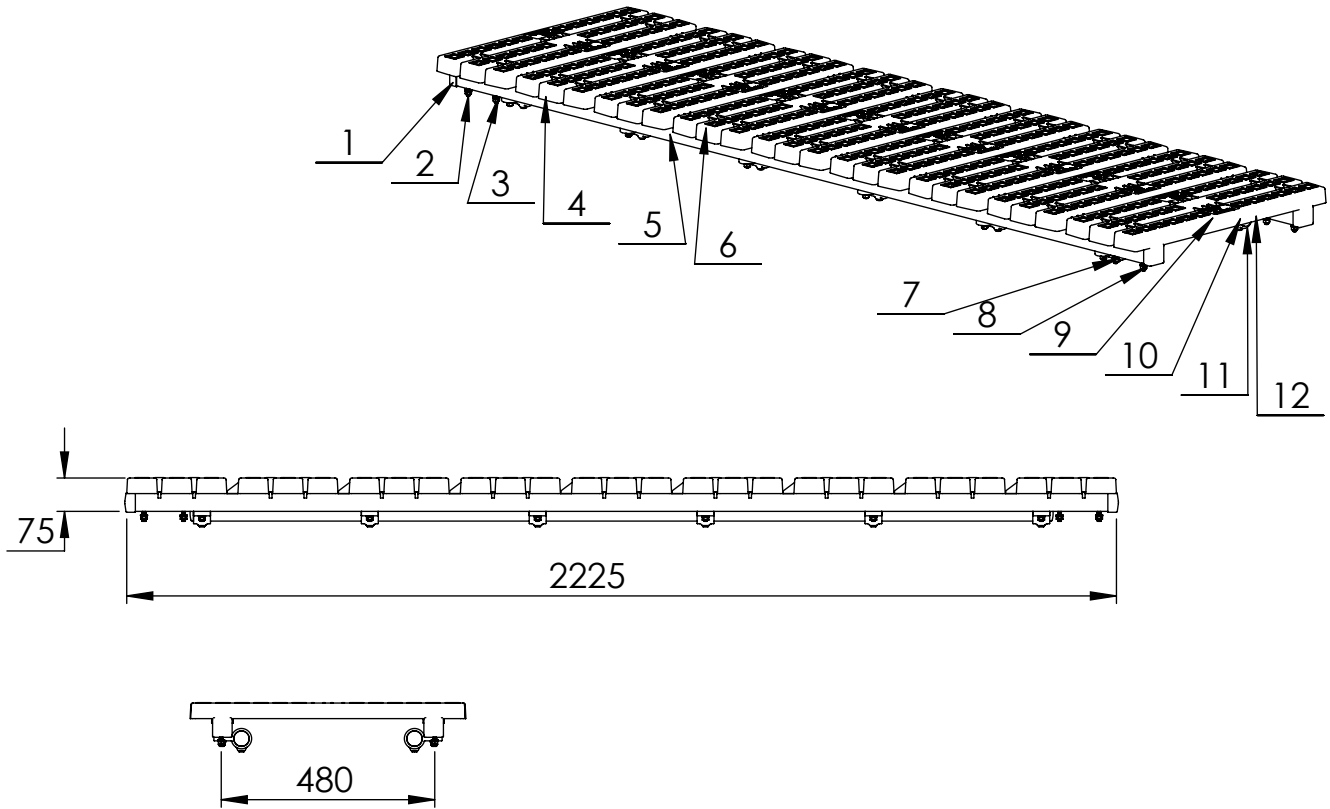
Issue No: 1

Technical Datasheet No: 0035

KWMSUP009 - 9 TREAD PLATFORM

Part No: KWMSUP009

Short Part No: KWMSUP009



ITEM NO.	PARTNo.	DESCRIPTION	QTY.	LENGTH
1	WW16258CP	WW1625 - BLACK VINYL PLASTIC CAP	4	
2	WW1125110	WW1125 - M8 x 25 HEX HD GR 8,8 SET SCREW	20	
3	WWM8GWA10	WWM8GW - M8 PLAIN WASHER FORM G GALV	8	
4	WW1000040	WW1000 - NYLON TREAD	9	
5	WW404030	ALUMINIUM EXTRUSION @ 2225mm	2	2225
6	WW6215110	6,3 x 25 HEX HD STITCHING SCREW	36	
7	WW3280110	WW3280 - M8 SPRING WASHER TYPE A GALV	20	
8	WW2180110	WW2180 - M8 HEX HD FULL NUT GR 8,8	20	
9	TUBE SIZE 6	TUBE SIZE 6 @ 1925,000mm	2	1925
10	007760040	77-6 PLASTIC PLUG	4	
11	M05060010	M50-6 MALE SINGLE SWIVEL	12	
12	WW3180110	M8 PLAIN WASHER FORM A GALV	12	

APPLICATION

Kee Walk® Step Over System Platform – When used in conjunction with required leg configuration offers safe access over trip hazards. Featuring anti slip nylon treads.

COMPONENT SPECIFICATION

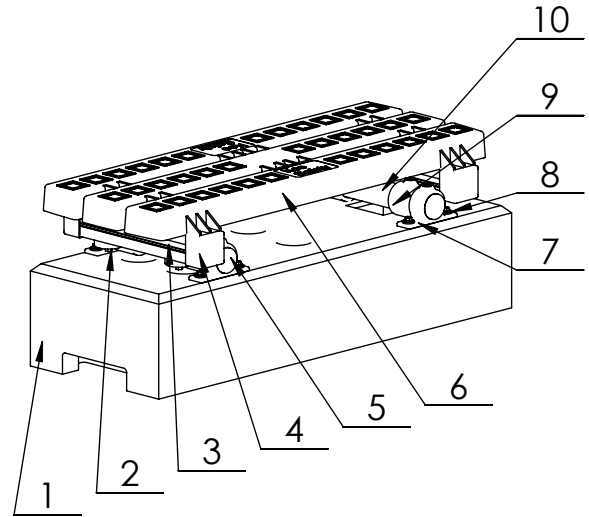
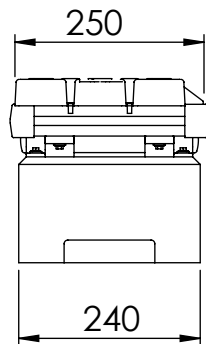
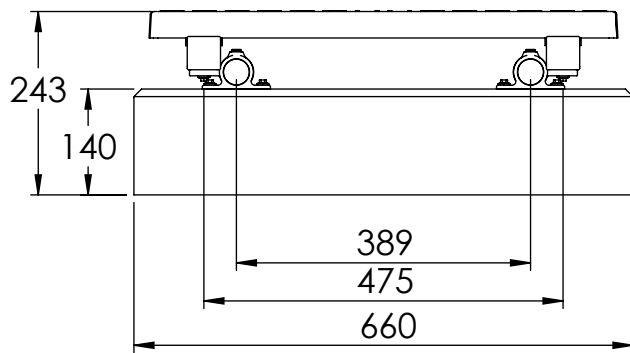
Material	Malleable Cast Iron / Aluminium Alloy / High Grade Nylon / PVC / Mild Steel
Finish	Galvanised to BS EN ISO 1461 / Natural / HDG
Weight	29.74kg

Technical Datasheet No: 0036

STMFS21 - KEE WALK MINI STEP MODULE

Part No: STMFS2001

Short Part No: STMFS21



ITEM NO.	PARTNo	DESCRIPTION	QTY.	LENGTH
1	STMFS26WT	PVC WEIGHT	1	
2	WW6215110	6,3 x 25 HEX HD STITCHING SCREW	8	
3	WW404030	ALUMINIUM EXTRUSION @ 250mm	2	250
4	WW16258CP	WW1625 - BLACK VINYL PLASTIC CAP	4	
5	007760040	77-6 PLASTIC PLUG	4	
6	WW1000040	WW1000 - NYLON TREAD	1	
7	002006010	200-6 DOUBLE FIXING BRACKET	4	
8	SDS55X55S	SDS55X55S - 5,5 x 55 SDS SCREW	8	
9	M05060010	M50-6 MALE SINGLE SWIVEL	4	
10	TUBE SIZE 6	TUBE SIZE 6 @ 220	2	220

APPLICATION

Kee Walk® Step Over System provides a safe, anti-slip, level walking surface for means of access to and across roofs. It provides a demarcation route which protects the roof membrane from unnecessary foot traffic and potential damage. Supplied partially assembled. For flat roofs.

COMPONENT SPECIFICATION

Material	Malleable Cast Iron / High Grade Nylon / PVC Rigid / Mild Steel
Finish	Galvanised to BS EN ISO 1461 / Natural / HDG
Weight	39.50kg

Issue Date: 01/12/2022

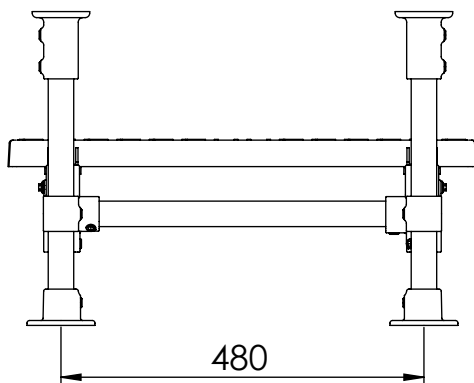
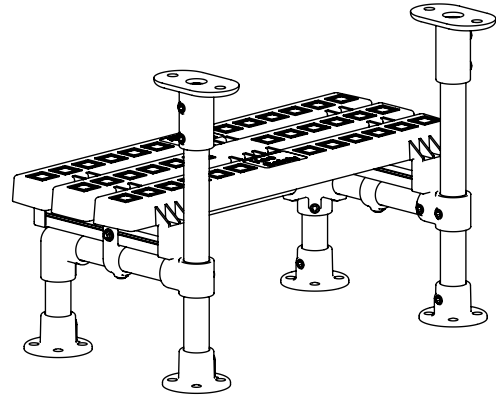
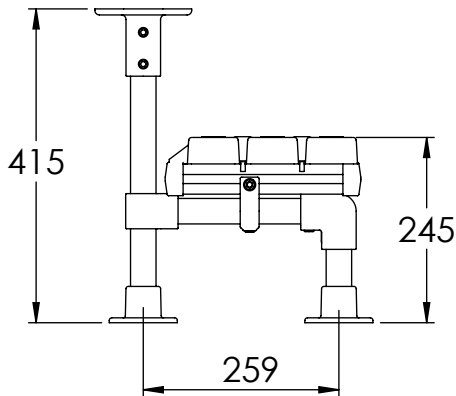
Issue No: 2

Technical Datasheet No: 0037

STMFx4A - FREESTANDING LEG ASSEMBLY 400

Part No: STMFx4ASY

Short Part No: STMFx4A



ITEM NO.	PARTNo	DESCRIPTION	QTY.	LENGTH
1	WW1000040	WW1000 - NYLON TREAD	1	
2	WW6X32010	6,3 x 32 HEX HD STITCHING SCREW	6	
3	00199B010	199B - FIXING BRACKET SIZE 6	2	
4	TUBE SIZE 6	TUBE SIZE 6 @ 225mm	2	225
5	006160010	61-6 FLANGE	4	
6	TUBE SIZE 6	TUBE SIZE 6 @ 445mm	1	445
7	TUBE SIZE 6	TUBE SIZE 6 @ 120mm	2	120
8	002060010	20-6 SIDE OUTLET ELBOW	2	
9	TUBE SIZE 6	TUBE SIZE 6 @ 402mm	2	402
10	001060010	10-6 SINGLE SOCKET TEE	2	
11	WW16258CP	WW1625 - BLACK VINYL PLASTIC CAP	4	
12	WW404030	ALUMINIUM EXTRUSION @ 250mm	2	250
13	006260010	62-6 STANDARD RAILING FLANGE	2	

APPLICATION

Kee Walk® Step Over System Leg configuration – When used in conjunction with required platform configuration offers safe access over trip hazards. Freestanding base does not require fixing to the roof.

COMPONENT SPECIFICATION

Material	Malleable Cast Iron / Aluminium Alloy / PVC / Mild Steel
Finish	Galvanised to BS EN ISO 1461 / Natural / HDG
Weight	19.00kg

Issue Date: 20/04/2021

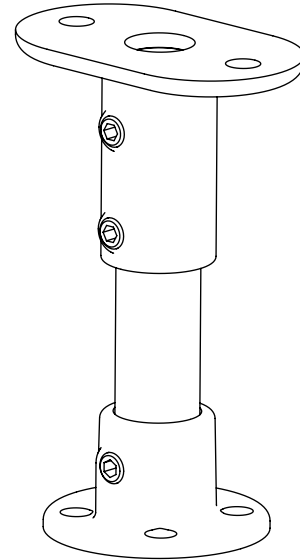
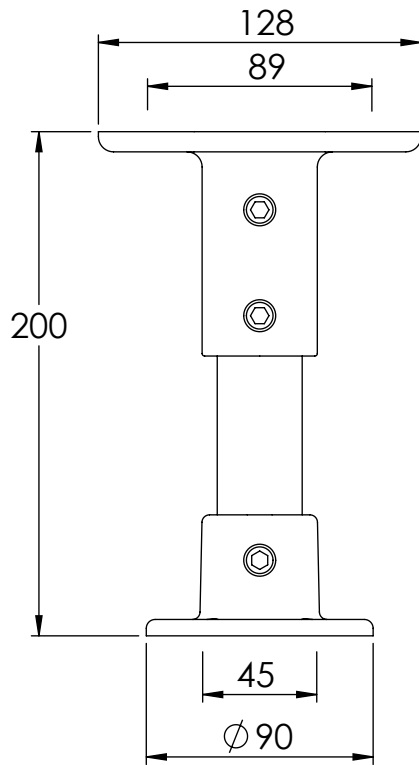
Issue No: 2

Technical Datasheet No: 0038

STMFx2A - FIXED LEG ASSEMBLY 200

Part No: STMFx2ASY

Short Part No: STMFx2A



ITEM NO.	PARTNo	DESCRIPTION	QTY.	LENGTH
1	006260010	62-6 STANDARD RAILING FLANGE	1	
2	TUBE SIZE 6	TUBE SIZE 6 @ 400mm	1	188
3	006160010	61-6 FLANGE	1	

APPLICATION

Kee Walk® Step Over System Leg configuration – When used in conjunction with required platform configuration offers safe access over trip hazards. Fixed base requires fixing to the roof.

COMPONENT SPECIFICATION

Material	Malleable Cast Iron / Mild Steel
Finish	Galvanised to BS EN ISO 1461 / HDG
Weight	2.00kg

Issue Date: 20/04/2021

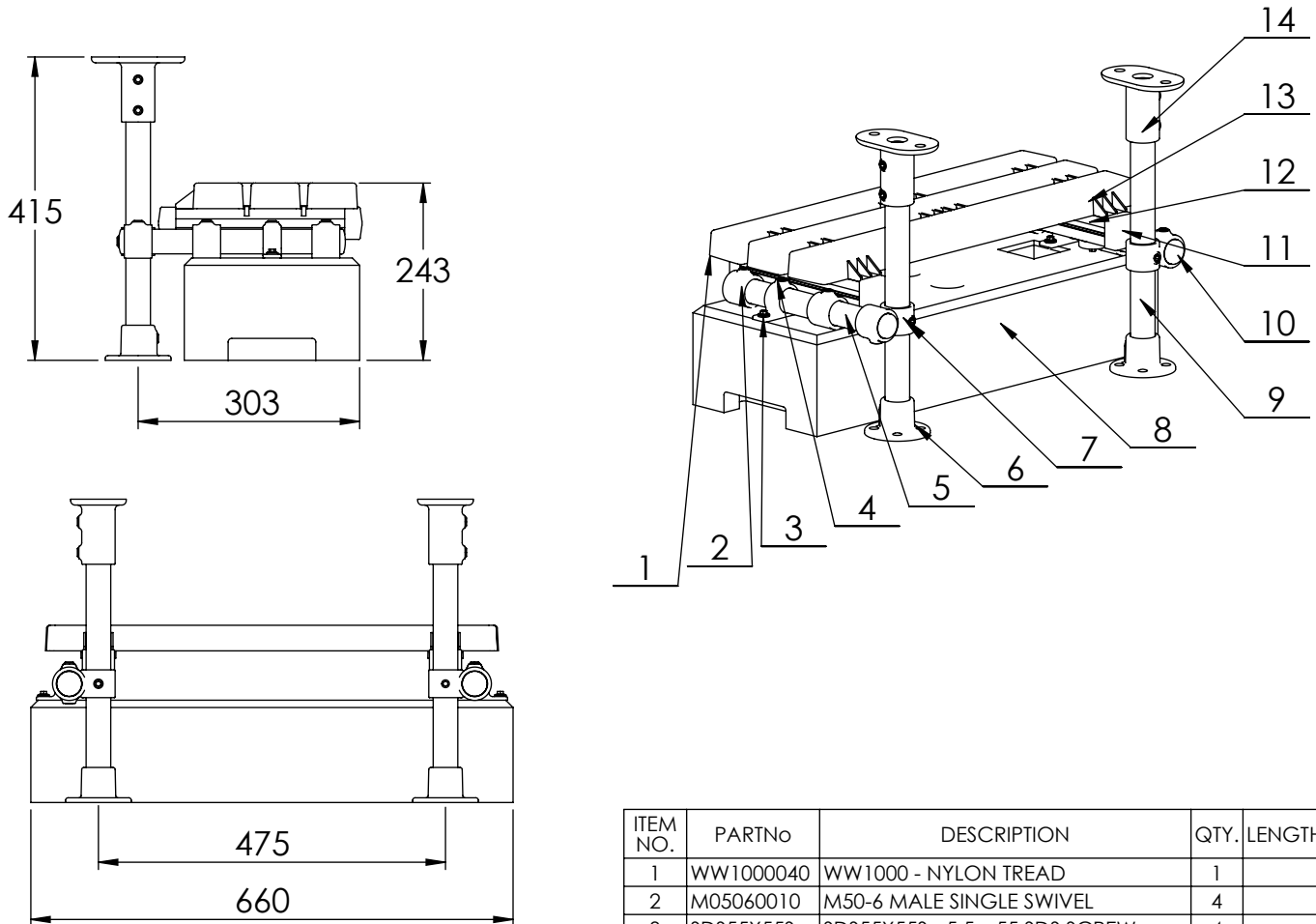
Issue No: 2

Technical Datasheet No: 0039

STMFS4A - FREESTANDING LEG ASSEMBLY 400

Part No: STMFS4ASY

Short Part No: STMFS4A



ITEM NO.	PARTNo	DESCRIPTION	QTY.	LENGTH
1	WW1000040	WW1000 - NYLON TREAD	1	
2	M05060010	M50-6 MALE SINGLE SWIVEL	4	
3	SDS55X55S	SDS55X55S - 5,5 x 55 SDS SCREW	4	
4	002006010	200-6 DOUBLE FIXING BRACKET	2	
5	TUBE SIZE 6	TUBE SIZE 6 @ 295mm	2	295
6	006160010	61-6 FLANGE	2	
7	004560010	45-6 CROSSOVER	2	
8	STMFS26WT	PVC WEIGHT	1	
9	TUBE SIZE 6	TUBE SIZE 6 @ 402mm	2	402
10	007760040	77-6 PLASTIC PLUG	4	
11	WW16258CP	WW1625 - BLACK VINYL PLASTIC CAP	4	
12	WW404030	ALUMINIUM EXTRUSION @ 266mm	2	266
13	WW6215110	6,3 x 25 HEX HD STITCHING SCREW	8	
14	006260010	62-6 STANDARD RAILING FLANGE	2	

APPLICATION

Kee Walk® Step Over System Leg configuration – When used in conjunction with required platform configuration offers safe access over trip hazards. Freestanding base does not require fixing to the roof.

COMPONENT SPECIFICATION

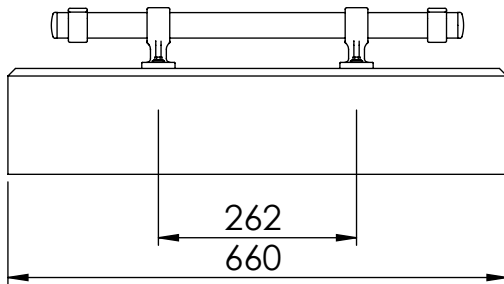
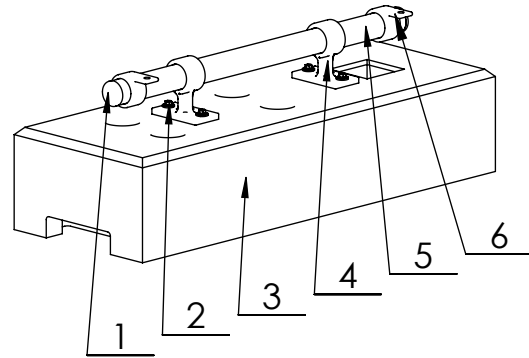
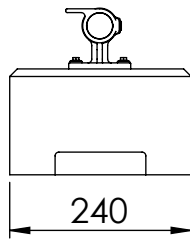
Material	Malleable Cast Iron / High Grade Nylon / PVC Rigid / Mild Steel
Finish	Galvanised to BS EN ISO 1461 / Natural / HDG
Weight	35.00kg

Technical Datasheet No: 0040

STMFS2AS - FREESTANDING LEG ASSEMBLY 200

Part No: STMFS2ASY

Short Part No: STMFS2AS



ITEM NO.	PARTNO	DESCRIPTION	QTY.	LENGTH
1	007760040	77-6 PLASTIC PLUG	2	
2	SDS55X55S	SDS55X55S - 5,5 x 55 SDS SCREW	4	
3	STMFS26WT	PVC WEIGHT	1	
4	007060010	70-6 RAIL SUPPORT	2	
5	TUBE SIZE 6	TUBE SIZE 6 @ 530mm	1	530
6	00199B010	199B - FIXING BRACKET SIZE 6	2	

APPLICATION

Kee Walk® Step Over System Leg configuration – When used in conjunction with required platform configuration offers safe access over trip hazards. Freestanding base does not require fixing to the roof.

COMPONENT SPECIFICATION

Material	Malleable Cast Iron / High Grade Nylon / PVC Rigid / Mild Steel
Finish	Galvanised to BS EN ISO 1461 / Natural / HDG
Weight	27.00kg

Issue Date: 01/12/2022

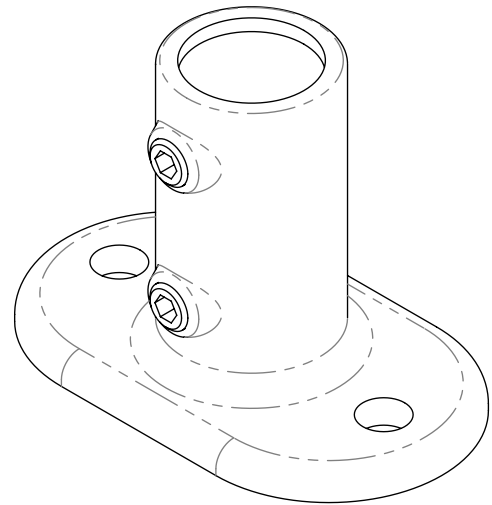
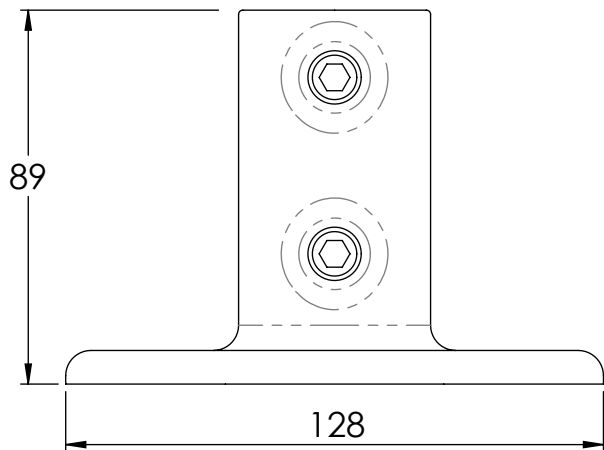
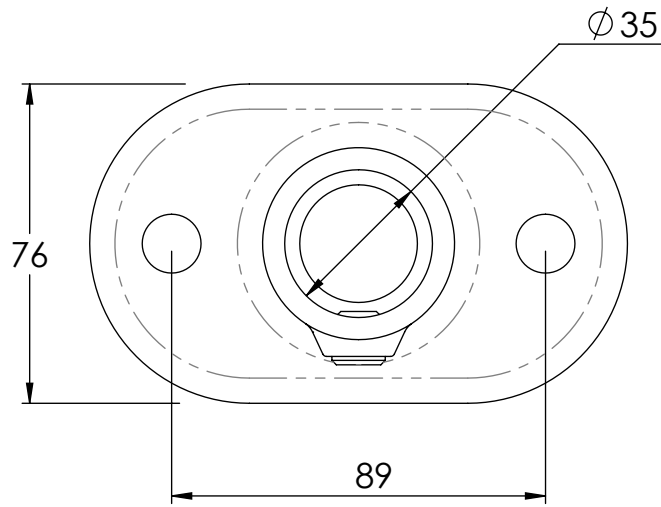
Issue No: 4

Technical Datasheet No: 0041

62-6 STANDARD RAILING FLANGE

Part No: 006260010

Short Part No: 62-6



APPLICATION

This component provides the means of connecting the Support Leg to the Base Plate. The component is also used to terminate the system against a facade.

COMPONENT SPECIFICATION

Material	Malleable Cast Iron to BS 1562
Finish	Galvanised to BS EN ISO 1461
Weight	0.80kg

Issue Date: 18/10/2017

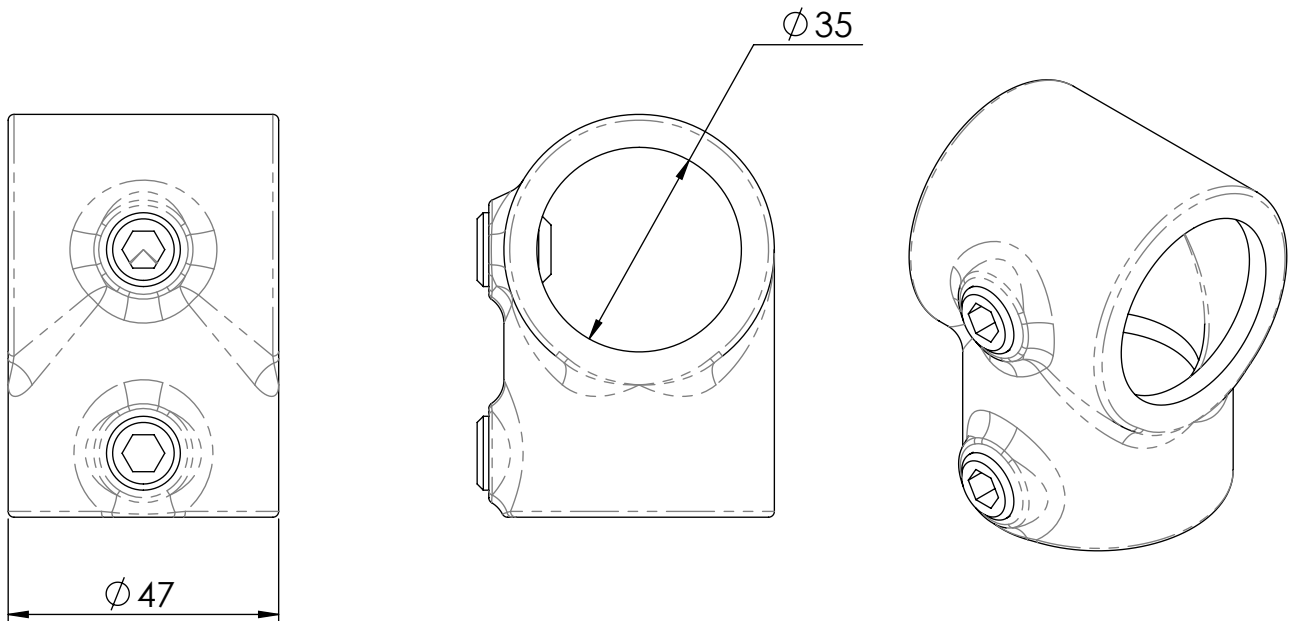
Issue No: 1

Technical Datasheet No: 0042

10-6 SINGLE SOCKET TEE

Part No: 001060010

Short Part No: 10-6



APPLICATION

Designed to give a 90° but joint between two pipes. Frequently used for the joint between end uprights and the middle rail where the railing site is straight and level.

COMPONENT SPECIFICATION

Material	Malleable Cast Iron to ASTM A47-77-32510
Finish	Galvanised to BS EN ISO 1461
Weight	0.34kg

Issue Date: 18/10/2017

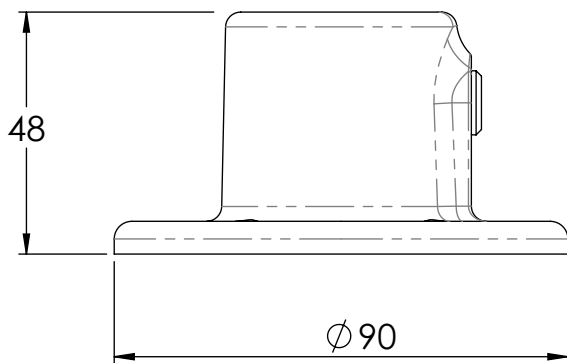
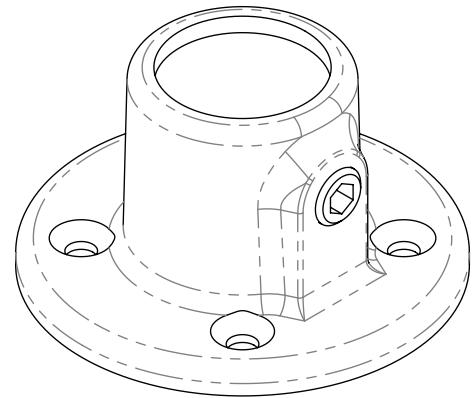
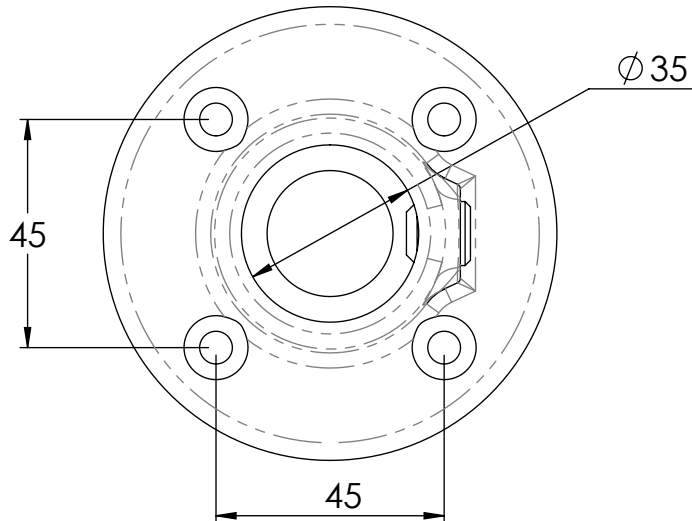
Issue No: 1

Technical Datasheet No: 0043

61-6 FLANGE

Part No: 006160010

Short Part No: 61-6



APPLICATION

Used on structures where the fixing required is positional only. Frequently used as a wall fixing bracket (refer to table on page 44). Holes provided for countersunk flathead screw fixings only.

COMPONENT SPECIFICATION

Material	Malleable Cast Iron to BS 1562
Finish	Galvanised to BS EN ISO 1461
Weight	0.40kg

Issue Date: 18/10/2017

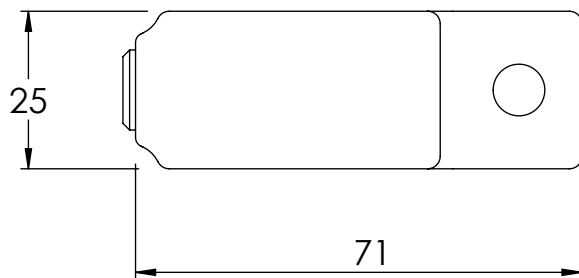
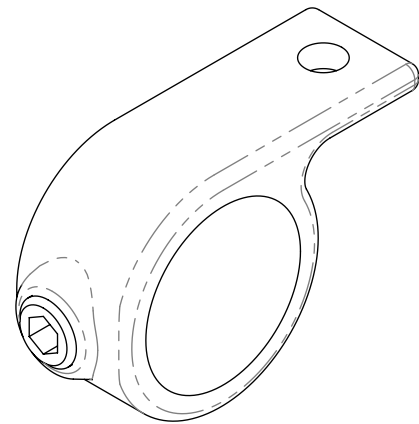
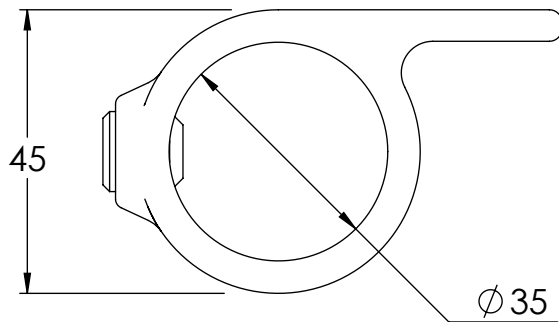
Issue No: 1

Technical Datasheet No: 0044

199B - FIXING BRACKET SIZE 6

Part No: 00199B010

Short Part No: 199B



APPLICATION

Designed for the securing of various types of panels and flooring to tube structures (i.e. plywood, plastic sheeting, wood planking, etc.). This fitting has a single offset flange to allow for the attachment of panels to tube.

COMPONENT SPECIFICATION

Material	Malleable Cast Iron to BS 1562
Finish	Galvanised to BS EN ISO 1461
Weight	0.16kg

Issue Date: 18/10/2017

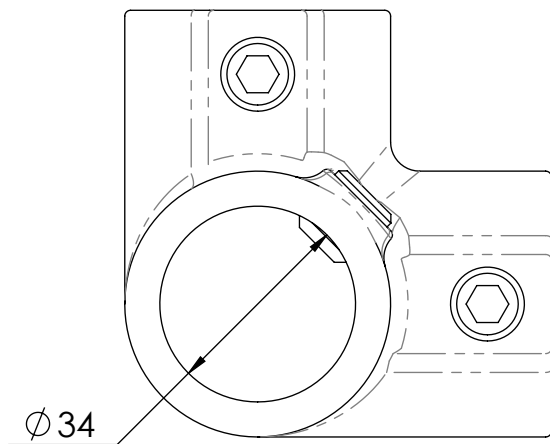
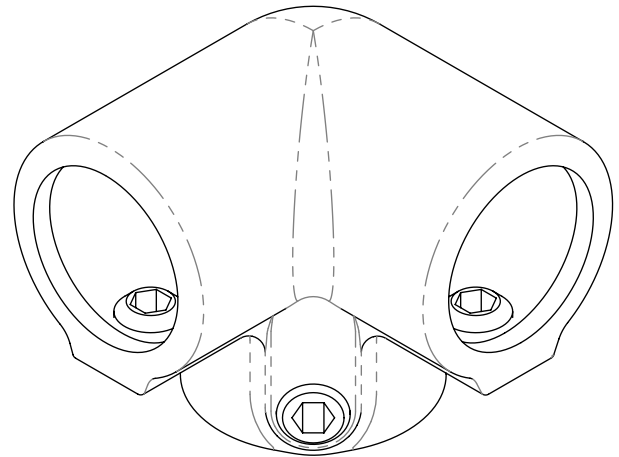
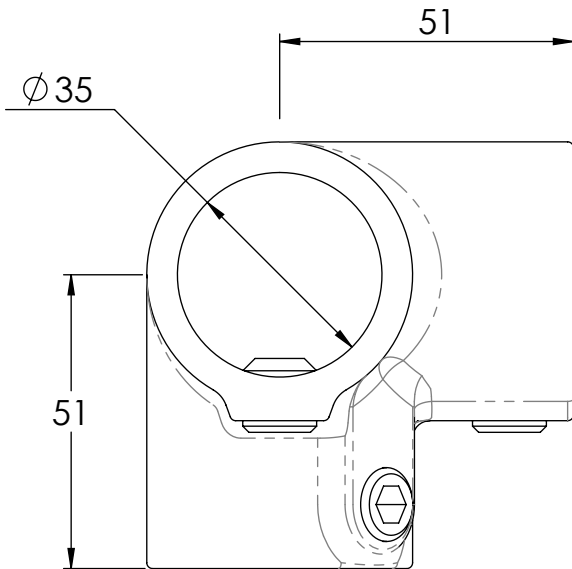
Issue No: 1

Technical Datasheet No: 0045

20-6 SIDE OUTLET ELBOW

Part No: 002060010

Short Part No: 20-6



APPLICATION

This provides the means of dealing with corners and changes in level.

COMPONENT SPECIFICATION

Material	Malleable Cast Iron to ASTM A47-77-32510
Finish	Galvanised to BS EN ISO 1461
Weight	0.89kg

Issue Date: 18/10/2017

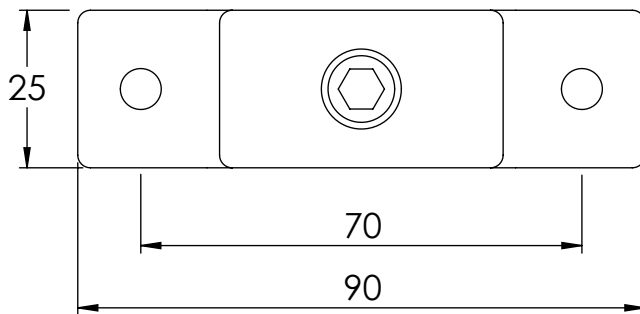
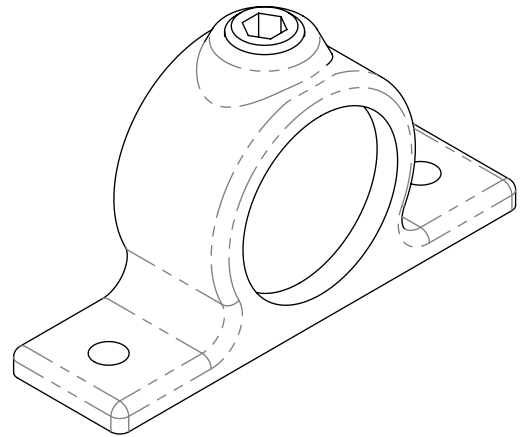
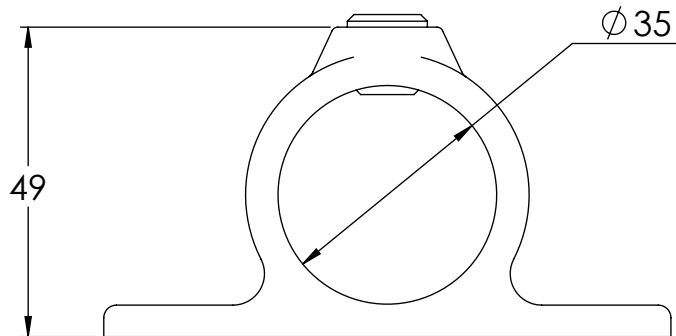
Issue No: 1

Technical Datasheet No: 0046

200-6 DOUBLE FIXING BRACKET

Part No: 002006010

Short Part No: 200-6



APPLICATION

Designed for the secure fitting of various types of panels and flooring to tube structures (i.e. plywood, plastic sheeting, wood planking, etc.) This fitting has two offset flanges to allow the flush attachment of panels to tube.

COMPONENT SPECIFICATION

Material	Malleable Cast Iron to BS 1562
Finish	Galvanised to BS EN ISO 1461
Weight	0.19kg

Issue Date: 18/10/2017

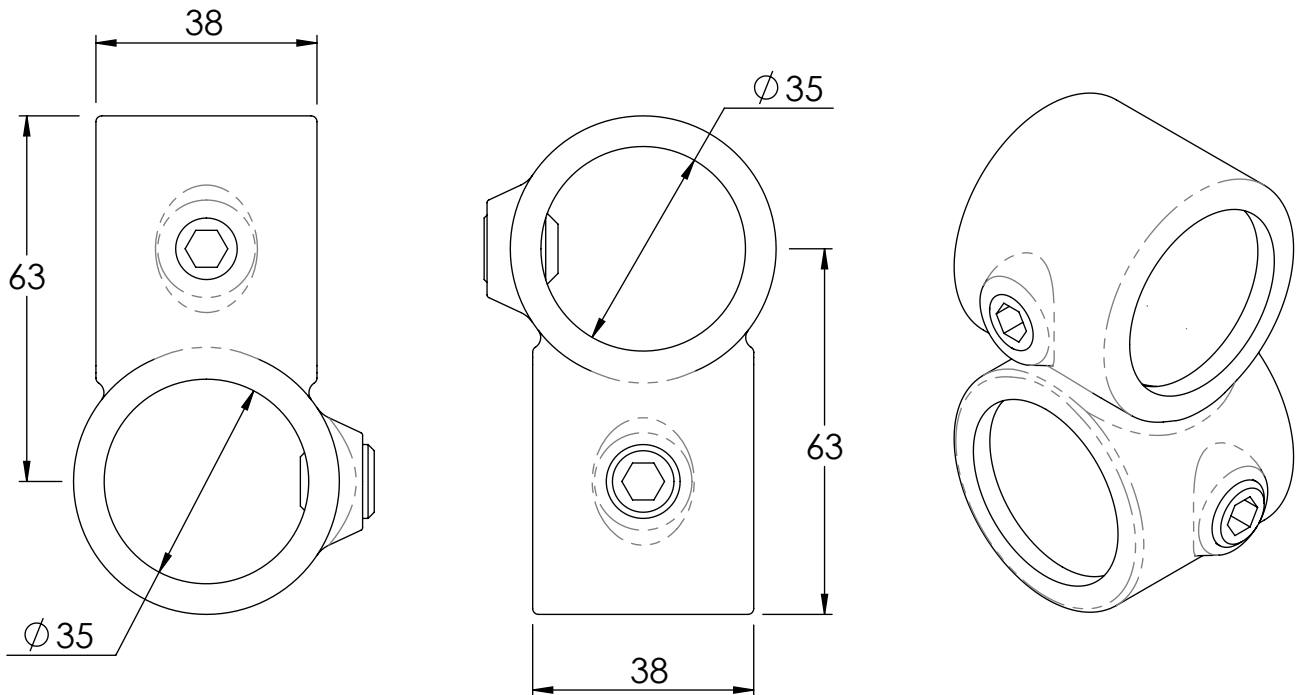
Issue No: 1

Technical Datasheet No: 0047

45-6 CROSSOVER

Part No: 004560010

Short Part No: 45-6



APPLICATION

Designed to give a 90° crossover joint. Tube cannot be joined within this fitting. It may also be used to give intermediate levels on racks, etc. when horizontal ties between uprights are not required.

COMPONENT SPECIFICATION

Material	Malleable Cast Iron to BS 1562
Finish	Galvanised to BS EN ISO 1461
Weight	0.32kg

Issue Date: 18/10/2017

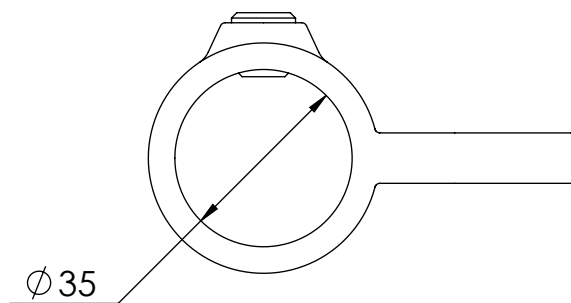
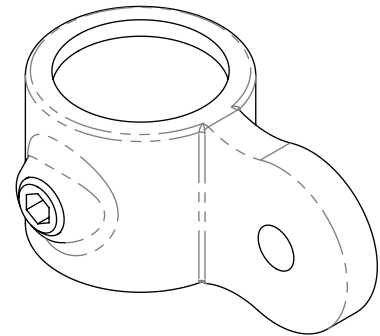
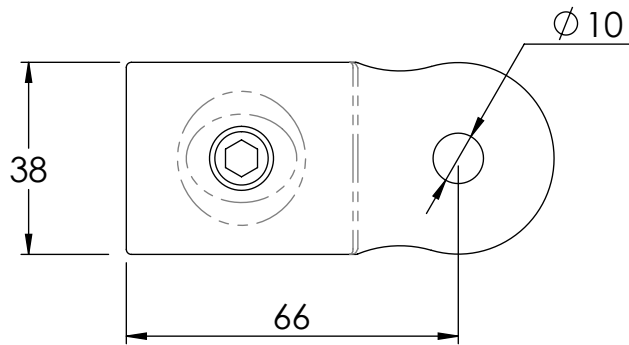
Issue No: 1

Technical Datasheet No: 0048

M50-6 MALE SINGLE SWIVEL SOCKET MEMBER

Part No: M05060010

Short Part No: M50-6



APPLICATION

This fitting is used for attaching flat panels to tubular structures. This part can be used with combination fitting C50.

COMPONENT SPECIFICATION

Material	Malleable Cast Iron to BS 1562
Finish	Galvanised to BS EN ISO 1461
Weight	0.27kg

Issue Date: 18/10/2017

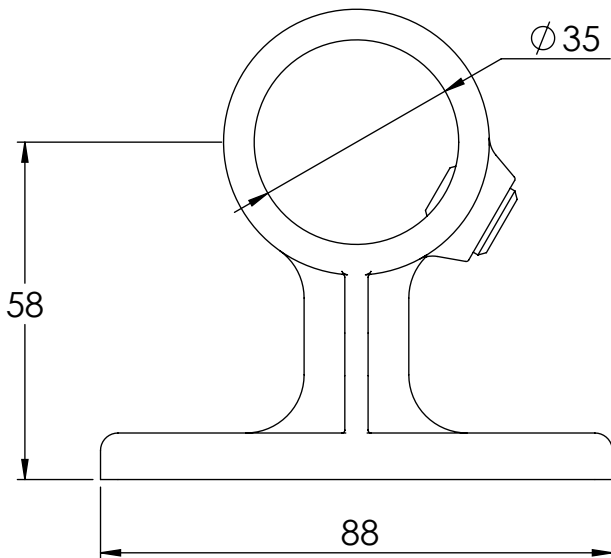
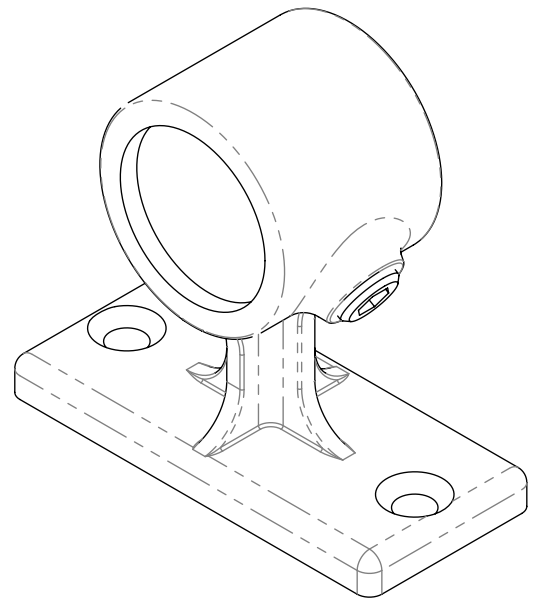
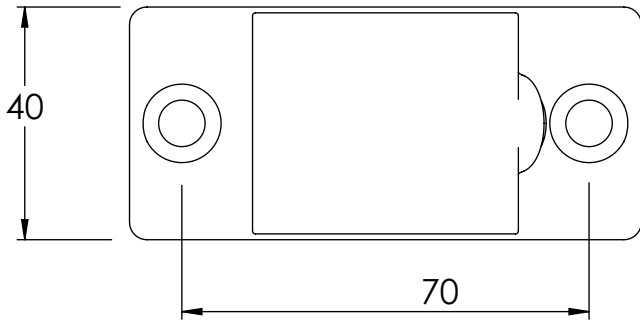
Issue No: 1

Technical Datasheet No: 0049

70-6 RAIL SUPPORT

Part No: 007060010

Short Part No: 70-6



APPLICATION

Designed to carry handrails along walls or to fix structures back to walls. The tube passes through the fitting and cannot be joined with the fitting. Holes provided for countersunk flat head screw fixings only.

COMPONENT SPECIFICATION

Material	Malleable Cast Iron to BS 1562
Finish	Galvanised to BS EN ISO 1461
Weight	0.40kg

Issue Date: 18/10/2017

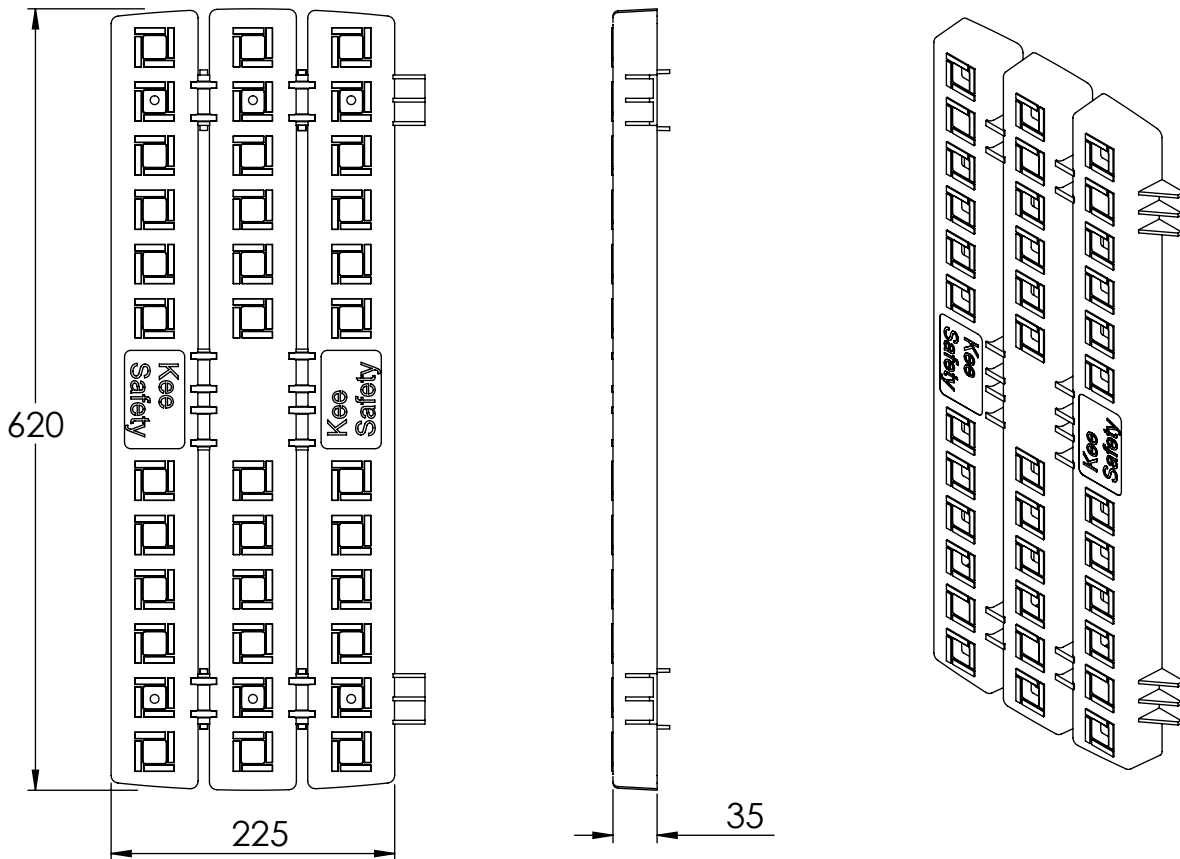
Issue No: 1

Technical Datasheet No: 0050

WW1000 - NYLON TREAD

Part No: WW1000040

Short Part No: WW1000



APPLICATION

Manufactured in high grade nylon incorporating raised textured sections. Open tread design ensures water drains away.

COMPONENT SPECIFICATION

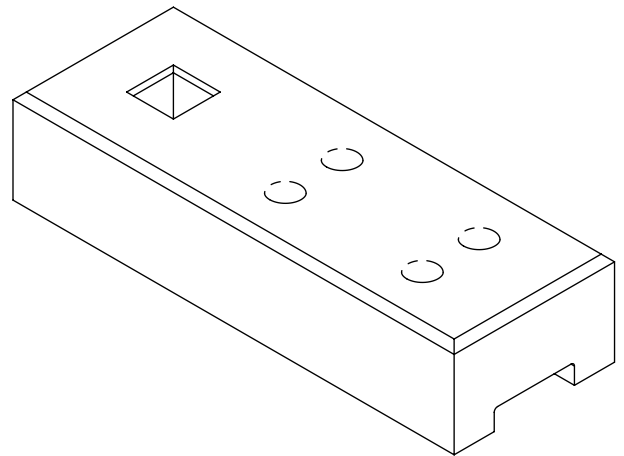
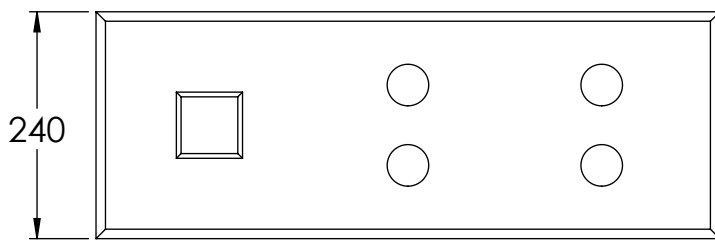
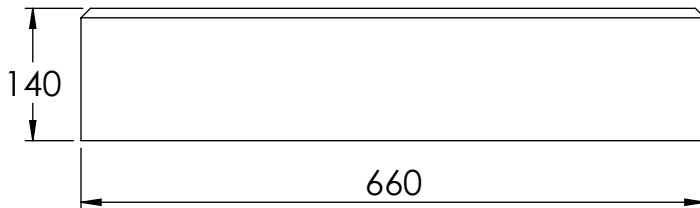
Material	High Grade Nylon
Finish	Natural
Weight	1,63 kg

Technical Datasheet No: 0051

PVC WEIGHT

Part No: STMFS26WT

Short Part No: STMFS26WT



APPLICATION

This component provides stability to the free standing modules.

COMPONENT SPECIFICATION

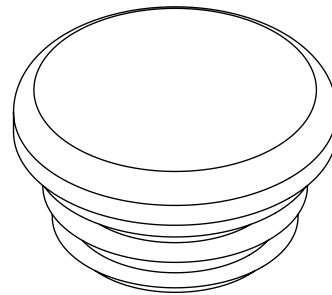
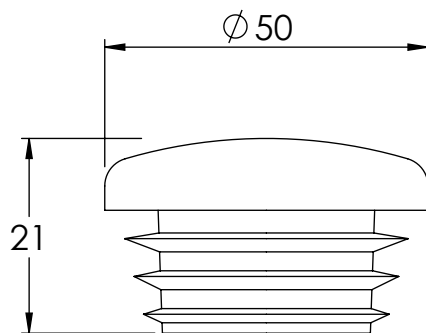
Material	RECYCLED FLEXIABLE PVC IN PLAIN FINISH
Finish	Natural
Weight	22.14kg

Technical Datasheet No: 0052

77-6 PLASTIC PLUG

Part No: 007760040

Short Part No: 77-6



APPLICATION

This component is fitted to the end of the US single gate to prevent water ingress.

COMPONENT SPECIFICATION

Material	HDPE
Finish	Natural
Weight	0.007kg

Issue Date: 18/10/2017

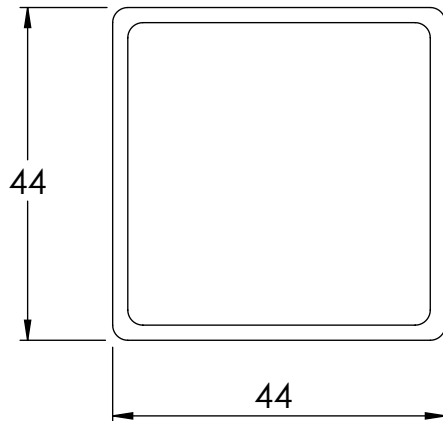
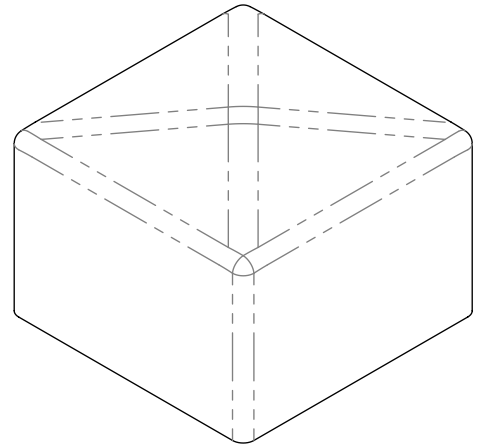
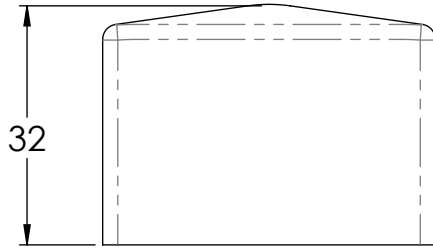
Issue No: 1

Technical Datasheet No: 0053

WW1625 - BLACK VINYL PLASTIC CAP

Part No: WW16258CP

Short Part No: WW1625



APPLICATION

Used to cover end of aluminium extrusion

COMPONENT SPECIFICATION

Material	PP Copolymer
Finish	Natural
Weight	0.01kg

Issue Date: 18/10/2017

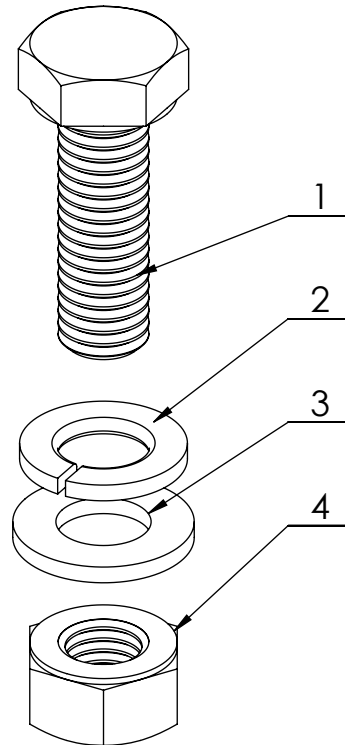
Issue No: 1

Technical Datasheet No: 0054

M8 FIXING KIT

Part No: M8-FIX-KIT

Short Part No: M8-FIX-KIT



ITEM NO.	PARTNo	DESCRIPTION	QTY.
1	WW1125110	WW1125 - M8 x 25 HEX HD GR 8,8 SET SCREW	1
2	WW3280110	WW3280 - M8 SPRING WASHER TYPE A GALV	1
3	WW3180110	M8 PLAIN WASHER FORM A GALV	1
4	WW2180110	WW2180 - M8 HEX HD FULL NUT GR 8,8	1

APPLICATION

Used to fix various fittings or parts to the aluminium extrusion

COMPONENT SPECIFICATION

Material	Mild Steel
Finish	HDG
Weight	0.02kg

Issue Date: 18/10/2017

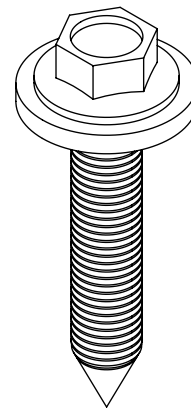
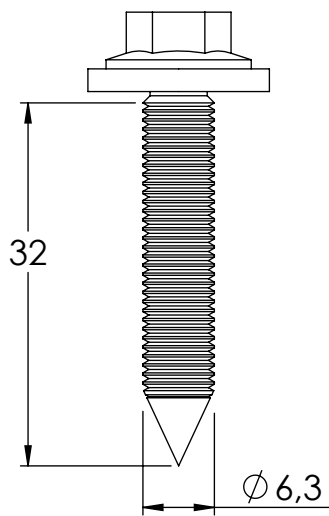
Issue No: 1

Technical Datasheet No: 0055

6,3 x 32 HEX HD STITCHING SCREW

Part No: WW6X32010

Short Part No: WW6X32



APPLICATION

Fastener used to fix various fittings to aluminium profiles.

COMPONENT SPECIFICATION

Material	Stainles Steel
Finish	Electropolished
Weight	0.027kg

Issue Date: 18/10/2017

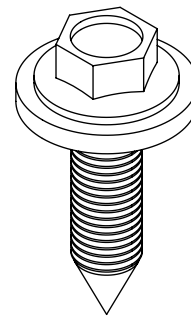
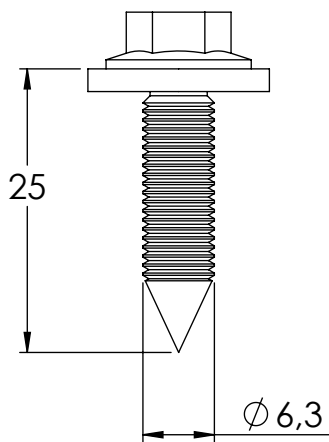
Issue No: 1

Technical Datasheet No: 0056

6,3 x 25 HEX HD STITCHING SCREW

Part No: WW6215110

Short Part No: WW6215



APPLICATION

Fastener used to fix various fittings to aluminium profiles.

COMPONENT SPECIFICATION

Material	Mild Steel
Finish	Ruspert Coated
Weight	0.01

Issue Date: 18/10/2017

Issue No: 1