



SAFETY AT THE HIGHEST LEVEL

KeeGuard Topfix Lite Operation & Maintenance Manual







SAFETY GUARDRAIL SYSTEMS

The Company's guardrail system KEEGUARD has been designed specifically to provide permanent edge protection for areas where regular access for maintenance and inspection is required.

UNIQUE SYSTEMS

Each system's unique design provides permanent edge protection without the need to mechanically fix the system through the roofing membrane or building's structure. Their simple cantilever principle provides unrivalled strength, stability and safety and overcomes the problems associated with traditional systems such as having to drill and puncture the roof membrane which can lead to potential penetrative water damage and noise disturbance during installation. Similarly, high levels of insulation included within warm deck and inverted flat roof designs often mean it is virtually impossible to fix through, as with traditional systems, without causing cold bridging. This may then cause interstitial condensation to form within the flat roof construction, causing the roof to deteriorate and eventually require replacement. When it is not appropriate to use counter balanced systems, such as modern industrial cladded pitched roofs, KeeGuard Topfix may be an alternative to traditionally fixed systems.



DURABLE SYSTEMS

The Company's guardrail components are supplied with a galvanised finish carried out to BS EN ISO 1461 and ASTM A53: Hot Dip Galvanised Coatings Specification and Testing Methods, giving an average coating of between 65-85 microns. All products are also available in aluminium. All locking screws are stainless steel and are greased before fixing to ensure a maintenance free system.

COMPONENT BASED SYSTEMS

All systems consist of galvanised/aluminium tubing joined together using the KEE KLAMP method of connection. KEEGUARD, raked, raiused and folding systems' base feet connect to the 100% recycled PVC counter weight, giving the system its strength & stability.



VERSATILE SYSTEMS

All systems have been specially designed to fit any shape and size of flat and pitched roofs, even circular designs. The systems can also cope with changes in levels, roof falls and difficult details such as ductwork passing over the roof edge and cable trays/plant mounted at the roof edge. The flexibility of the counter weight & KEE KLAMP design allows the systems to be used on plant congested or complex detailed roofs. The product range has been extended to suit specific requirements and includes the standard design with vertical legs, raked and radiused systems, as well as a folding version for areas where a more discreet form of protection is required. KeeGuard Topfix has also been added to the range to provide collective protection solutions for industrial cladded pitched roofs.



MEMBRANE PROTECTION SYSTEMS

Each system is installed with rubber matting bonded to the underside of metal components which come into contact with the roof membrane. In some cases the counter weight and base foot have sacrificial pads placed between the edge protection components and the roof membrane. This protects the roof membrane from damage via heat transfer or direct contact with components. On warm deck roof construction specifications pedestrian tiles are recommended to be placed where base feet and counter weights are in contact with the roof membrane. Where KeeGuard Topfix is installed a butyl strip is used where the Base Plates are fixed, via rivets, to the roof cladding.

TESTING & CERTIFICATION

Tested in accordance with:-
 EN 13374 Class A.
 BS 13700, Permanent counterweighted guardrail systems – Specification
 EN ISO 14122 Part 3.
 NF E85-003
 EN 1991-1-4
 BS 6399 : Part 2 Code of Practice for Wind Load.

WIND CALCULATED

Wind loading is the most likely regular and demanding force a free standing roof guardrail will encounter during its lifetime. The Company has developed a computerised programme to calculate the design to ensure compliance with the relevant wind loadings relating to the topography, height and location of the project throughout the World.

OFFICIAL DOCUMENTATION

All Systems comply with the following:-
 Work at Height Regulations.
 HSG 33 “Health & Safety in Roof work”
 HSE Construction Sheet No. 21 “Working on flat roofs protection against falls.”
 European Union Directives together with requirements of CDM Regulations.

AESTHETICS

The smooth lines of the standard galvanised/aluminium finish can be further enhanced by the application of powder coating to BS 6497 Specification for Powder Organic Coatings, EU Codes with bespoke colour produced to special order. Counter weights are available in black or other colours at an additional cost. Where a more discreet form of protection is required, raked and radiused systems, as well as a folding version are welcomed by Planning Officers due to their improved aesthetics.

SYSTEMS DISTRIBUTORS

All systems are available as a supply and installation service or component supply only. Products are available from the Company directly or one of its licensed distributors.

INDUSTRIAL CLADDED ROOFS

The Company has developed a new collective roof edge protection system, KeeGuard Topfix specifically for metal profile and standing seam roofs up to 45°. Pitched cladded roofs have traditionally been protected using personal fall protection systems which are lower in the hierarchy of controls.

PRODUCT SPECIFICATION

FEATURES :- Metal Cladded Roof System.

GENERAL

KeeGuard® Topfix Lite system is fixed to the cladding panel via a base plate for metal roofs. This is either riveted or connected to the cladding panel via standing seam clamps. The complete system's design, manufacture, testing and installation has been externally assessed and tested to EN 13374 & BS 13700.

MATERIALS

Horizontal guardrails are produced in aluminium to BS EN 755 - 42.4mm external diameter (Wall thickness 3.56mm).

The vertical support legs are produced in aluminium to BS EN 755 - 48.3mm external diameter (Wall thickness 4.05mm).

Brace Assembly Unit's are produced in aluminium to BS EN 755 - 48.3mm external diameter (Wall thickness 4.05mm).

All cast clamps have Threadcoat applied to all tapped holes. All grub screws are carbon steel and have Keekoat protection applied to ensure minimal maintenance.

All cast clamps used to join the guardrail are high grade aluminium alloy to A356-T6.

All cast clamps used to join the guardrail to the Base Plate Metal Roofs are galvanised malleable cast iron produced to BS EN 1562 : founding malleable cast iron.

Base plate metal roofs are galvanised steel to BS EN ISO 1461.

Metal roof panels with minimum steel thickness 0.7mm require 2 rivets per corner.

Includes butyl sealing strip to maintain the roof's integrity (TA-SEAL 15m roll)

Fixing centres: 400, 500, 333, 310. Composite roof panels with minimum steel thickness 0.5mm thick require 4 rivets per corner. Includes butyl sealing strip to maintain roof's integrity (TA-SEAL 15m roll) Fixing centres: 333mm.

STANDING SEAM ROOFS

Designed to clamp on to the standing seam of a proprietary roofing sheet. Fixed with non penetrative WFP6 clamps Fixing centres: 305, 400, 500mm WFP6 (4 per pkt) Standing seam clamps - WFP6 material : Galvanised steel to BS EN ISO 1461. Rivets material : Aluminium. Sealing strip:- This is to form a seal between the underside of the plate and the metal decking. Material : Butyl.

LAYOUT

Height of guardrail is set at 1100mm.

Maximum bay span 3m.

Brace Assembly Units are required throughout the system at 4.5m centres.

All free standing ends are fitted with a Brace Assembly unit (see table) or supported by way of a wall/ladder clamp.

TESTING

All systems have been tested to EN 13374: Temporary Edge Protection Systems - Product Specification Test Methods and have been awarded a Class A Pass. All systems have been tested to BS 13700: Permanent counterweighted guardrail systems – Specification and been awarded a pass.

WIND LOADING

All installations are wind speed calculated to BS 6399 : Part 2 : Code of Practice for Wind Loads.



EN 13374 & BS 13700

Roof Type	MAX Pitch	Tube Size & Wall Thickness (Vertical)	Tube Size & Wall Thickness (Horizontal)	Max Bay Centres	Assembly Brace Units	Assembly Brace Units
Metal Cladded Roofing system						
Restrained	10°	8 4.05mm	7 3.56mm	3m	Every 4.5m	Every Free Standing End



ROOF EDGE PROTECTION

SEPARATING PEOPLE FROM HAZARDS

- THIS GUARDRAIL IS TESTED TO EN 13374/EN 14122-3
- THIS GUARDRAIL IS TESTED TO BS 13700: PERMANENT COUNTERWEIGHTED GUARDRAIL SYSTEMS- SPECIFICATION
- DO NOT REMOVE, TAMPER, ADJUST, REMOVE OR ALTER IN ANY WAY THE GUARDRAIL INSTALLATION WITHOUT FIRST CONSULTING KEE SAFETY.
- NO LANYARD LIFE LINE OR FALL ARREST PRODUCTS TO BE ATTACHED TO THE GUARDRAIL AT ANY TIME
- DO NOT ATTACH PLASTIC SHEETING OR ANYTHING THAT WOULD INCREASE THE WIND LOADING ON THE GUARDRAIL.
- IF YOU FIND THE GUARDRAIL HAS BEEN ALTERED OR TAMPERED WITH, CONTACT KEE SAFETY IMMEDIATELY.

HEAD OFFICE
Kee Safety Limited
Cradley Business Park
Oversend Road
Cradley Heath
West Midlands B36 7JW

(t) +44 (0) 1384 632 188
(f) +44 (0) 1384 632 592
(e) info@keesafety.co.uk
(w) www.keesafety.co.uk

• RE-TEST ONLY TO BE CARRIED OUT BY AUTHORISED SERVICE AGENT.

SYSTEM PLAQUE - SL 111

Provides details of the system and approvals.

Material : Plastic.

Net weight : 0.085kg.

PRODUCT SPECIFICATION EN 14122-3 & NF E85-003

FEATURES :- Metal Cladded Roof System.

GENERAL

KeeGuard® Topfix Lite system is fixed to the cladding panel via a base plate for metal roofs. This is either riveted or connected to the cladding panel via standing seam clamps. The complete system's design, manufacture, testing and installation has been externally assessed and tested to EN 14122-3.

MATERIALS

Horizontal guardrails are produced in aluminium to BS EN 755 - 42.4mm external diameter (Wall thickness 3.56mm).

The vertical support legs are produced in aluminium to BS EN 755 - 48.3mm external diameter (Wall thickness 4.05mm).

Brace Assembly Units are produced in aluminium to BS EN 755 - 48.3mm external diameter (Wall thickness 4.05mm).

All cast clamps have Threadcoat applied to all tapped holes. All grub screws are carbon steel and have Keekoat protection applied to ensure minimal maintenance.

All cast clamps used to join the guardrail are high grade aluminium alloy to A356-T6.

All cast clamps used to join the guardrail to the Base Plate Metal Roofs are galvanised malleable cast iron produced to BS EN 1562 : founding malleable cast iron.

Base plate metal roofs are galvanised steel to BS EN ISO 1461.

Metal roof panels with minimum steel thickness 0.7mm require 2 rivets per corner. Includes butyl sealing strip to maintain the roof's integrity (TA-SEAL 15m roll) Fixing centres: 400, 500, 333, 310.

Composite roof panels with minimum steel thickness 0.5mm thick require 4 rivets per corner.

Includes butyl sealing strip to maintain roof's integrity (TA-SEAL 15m roll) Fixing centres: 333 mm.

STANDING SEAM ROOFS

Designed to clamp on to the standing seam of a proprietary roofing sheet. Fixed with non penetrative WFP6 clamps Fixing centres: 305, 400, 500mm WFP6 (4 per pkt) Standing seam clamps – WFP6 material : Galvanised steel to BS EN ISO 1461. Rivets material : Aluminium.

Sealing strip:- This is to form a seal between the underside of the plate and the metal decking. Material : Butyl.

LAYOUT

Height of guardrail is set at 1100mm. Maximum bay span 1.5m Brace Assembly Units are required throughout the system at 4.5m centres. All free standing ends are fitted with a Brace Assembly unit (see table) or supported by way of a wall/ladder clamp.

TESTING

All systems have been tested to EN 14122-3 & NF E85-003

WIND LOADING

All installations are wind speed calculated to BS 6399 : Part 2 : Code of Practice for Wind Loads.

All installations are wind speed calculated to Eurocode 1: Actions on structures - Part 1-4:

General actions - Wind loads.

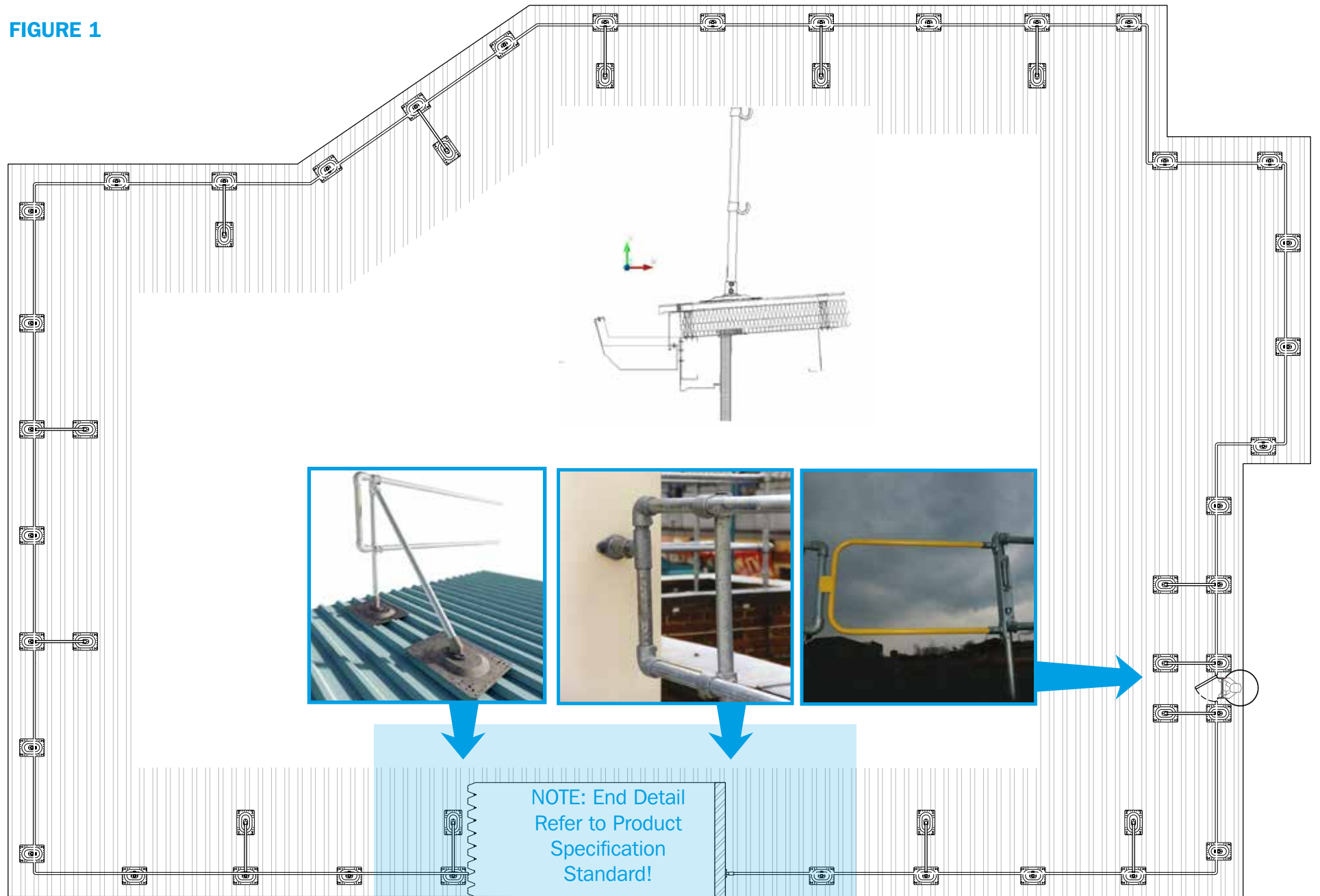


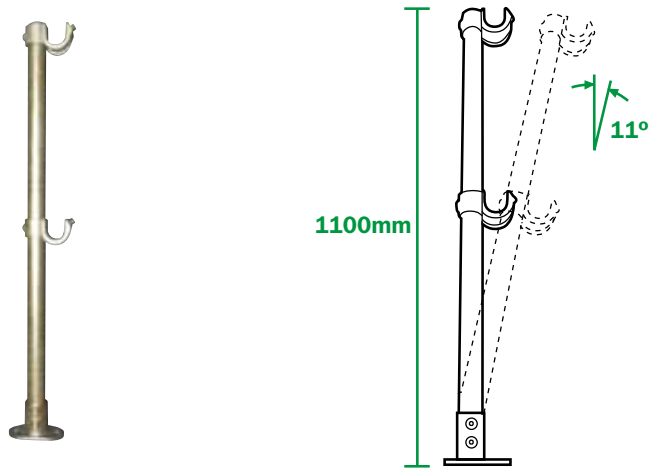
EN 14122-3 & NF E85-003

Roof Type	MAX Pitch	Tube Size & Wall Thickness (Vertical)		Tube Size & Wall Thickness (Horizontal)		Max Bay Centres	Assembly Brace Units	Assembly Brace Units
Metal Cladded Roofing system								
Restrained	10°	8	4.05mm	7	3.56mm	1.5m	Every 4.5m	Every Free Standing End

Typical Edge Protection System Layout

FIGURE 1

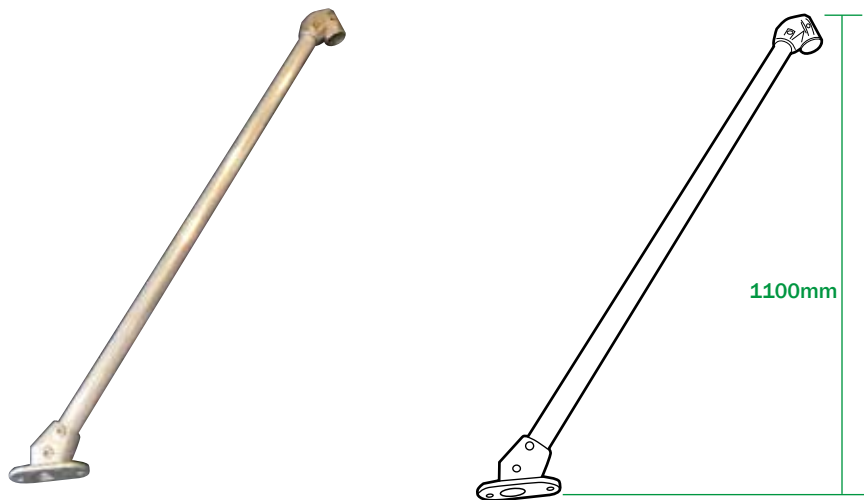




STANDARD & RAKED SUPPORT LEG - KGTF-U (4.05mm wall thickness)

This component allows for standard 90° installation or raked back at 11° and provides some height adjustment to the system. The Vertical Support Legs are produced in aluminium - 48.3mm external diameter.

Material : Aluminium BS EN 755. Net weight : 5.4kg.



Brace Assembly Unit - KGTF-ALB (4.05mm wall thickness)

This component adds stability to the Vertical Support Legs and is produced in aluminium - 48.3mm external diameter.

Material : Aluminium BS EN 755. Net weight : 3.4kg.

BASE PLATE METAL ROOFS - KGTF1

This plate provides a method of connecting the system to a metal roof structure.

Metal roof panels with minimum steel thickness of 0.7mm require 2 rivets per corner. Includes butyl sealing strip to maintain roof's integrity (TA-SEAL 15m roll)
Fixing centres: 400, 500, 333, 310.

Composite roof panels with minimum steel thickness of 0.5mm thick require 4 rivets per corner. Includes butyl sealing strip to maintain roof's integrity (TA-SEAL 15m roll)
Fixing centres: 333mm

Standing seam roofs

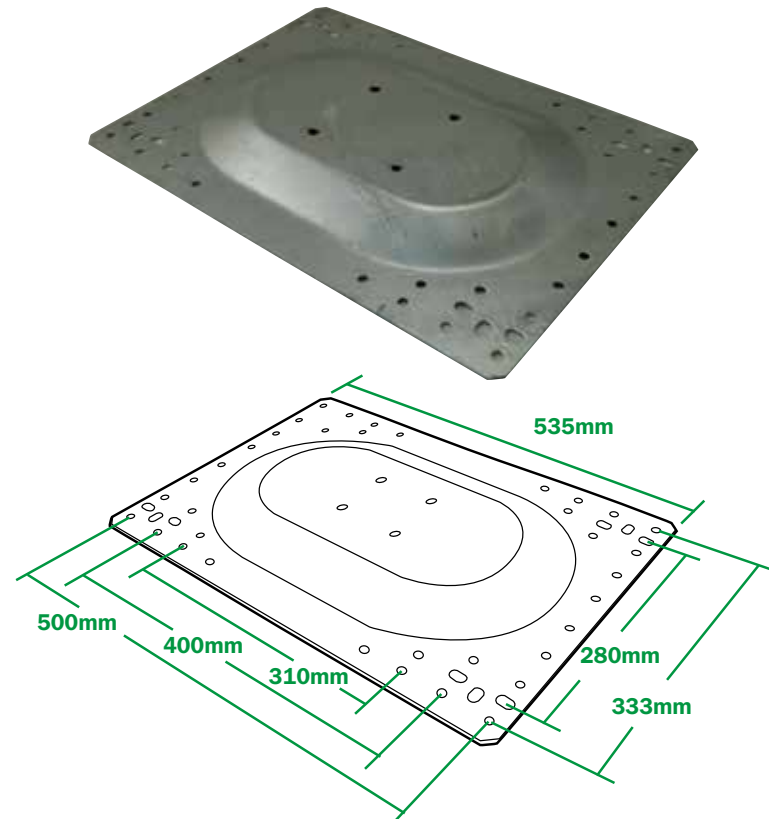
Designed to clamp on to the standing seam of a proprietary roofing sheet.

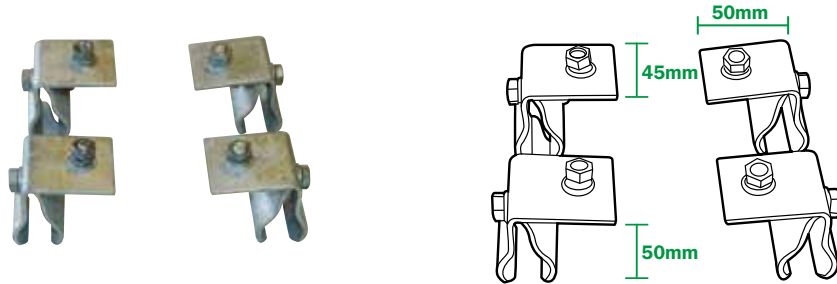
Fixed with non penetrative Z5 clamps

Fixing centres: 305, 400, 500mm

Z5 (4 per pkt)

Material : Galvanised steel to BS EN ISO 1461. Net weight : 6.6kg.





STANDING SEAM CLAMPS - WFP6

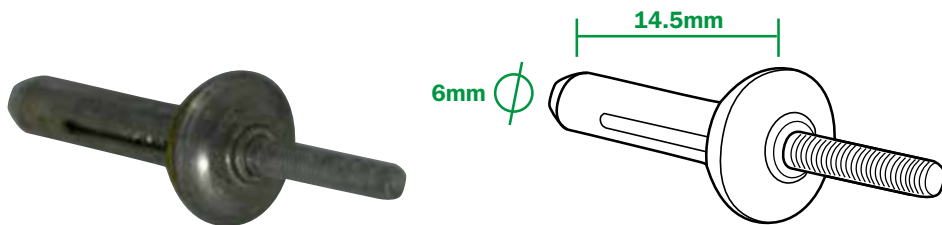
These are used in conjunction with the Base Plate Metal Roofs to connect the plate to the roof structure. Material : Galvanised steel to BS EN ISO 1461 Net weight : 1kg.



MAIN RAIL TUBE (3.0m – 7-3-AHL)(Cut to size 7-3-AHL-per/m)

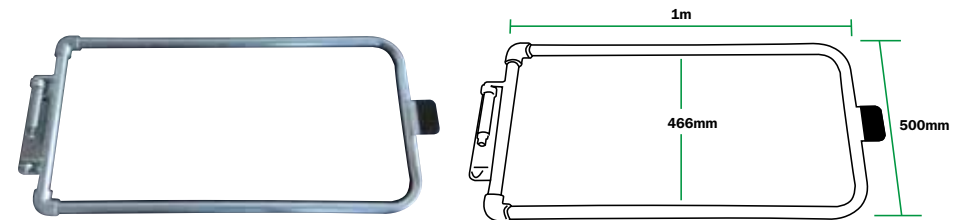
Supplied in standard 3m lengths or cut to size for convenience, these components provide the horizontal rails of the system. Guardrail top and intermediate rails are produced in aluminium - 42.4mm external diameter. Wall thickness 3.56mm.

Material : Aluminium to BS EN 755. Net weight : 1.17kg/m



RIVETS (PKT100) - RIVETS

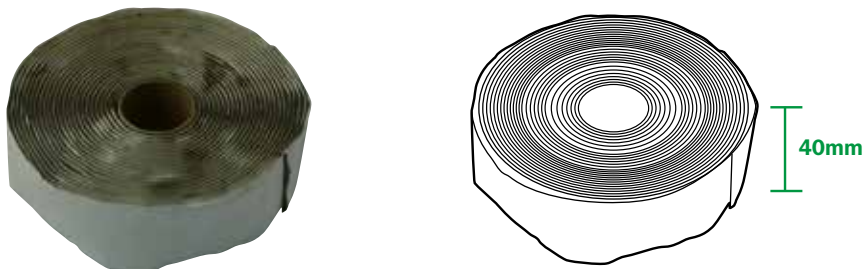
These are used in conjunction with the Base Plate Metal Roofs to connect the plate to the roof structure. Material : Aluminium. Net weight : 1kg per 100.



European Gate - Galvanised - SGEU500GV

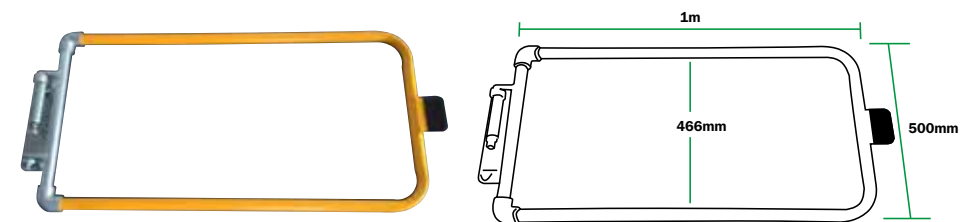
Spring Loaded, self-closing safety gate. Manufactured from steel to EN 10255. 33.7mm diameter tube x 3.2mm wall thickness to meet requirements of EN 13374, EN 14122 and BS 13700. Complete with fixing pack.

Material : Galvanised steel to BS EN ISO 1461. Net weight : 11kg (24lb 4oz).



SEALING STRIP (15M ROLL) - TA-SEAL

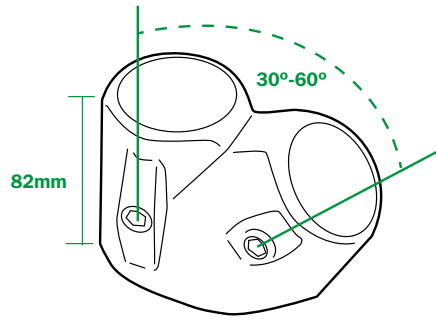
This is used in conjunction with the Base Plate Metal Roofs to form a seal between the underside of the plate and the metal decking. Material : Butyl. Net weight : 4kg.



European Gate – Powder Coated - SGEU500PC

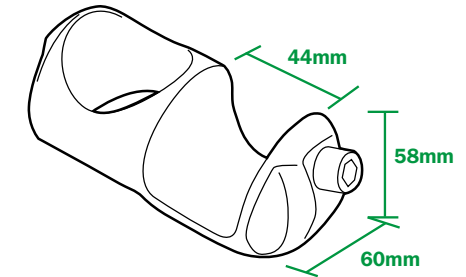
Spring Loaded, self-closing safety gate. Manufactured from steel to EN 10255 33.7mm diameter tube x 3.2mm wall thickness to meet requirements of EN 13374, EN 14122 & BS 13700. Complete with fixing pack. Powder Coated Finish to EN 13438.

Material : Steel to EN 10255. Net weight : 11kg (24lb 4oz).



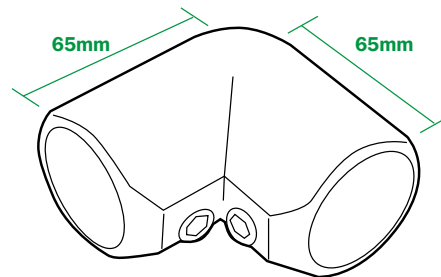
SINGLE SOCKET TEE - L29-8

This component provides the method to link the Brace Assembly Unit to the Vertical Support Leg.
Material : High grade aluminium alloy to A356-T6.
Net weight : 0.41kg.



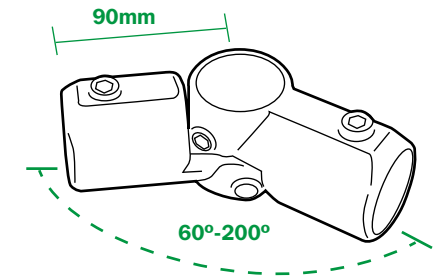
***SADDLE CLAMP - L135-87**

This open cup fitting provides the method of linking the horizontal Main Rail Tubes to the Support Legs. Material : High grade aluminium alloy to A356-T6. Net weight : 0.37kg.



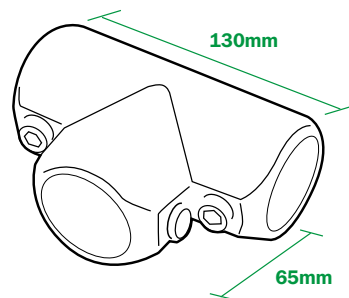
90° ELBOW - L15-7

This provides the means of dealing with corners and changes in level.
Material : High grade aluminium alloy to A356-T6. Net weight : 0.28kg.



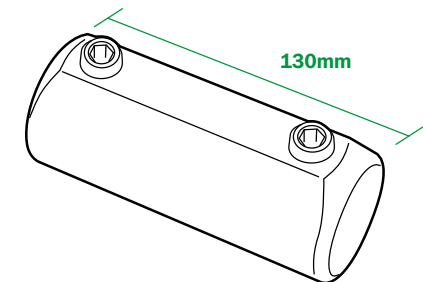
ADJUSTABLE SIDE OUTLET TEE ELBOW - L19-7

Used in pairs these components deal with angles 60°-200° and changes in level.
Material : High grade aluminium alloy to A356-T6. Net weight : 0.58kg.



THREE SOCKET TEE CONNECTOR - L25-7

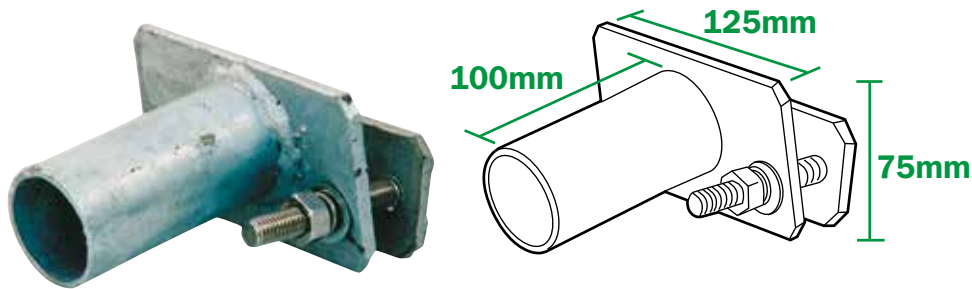
This component is used in many different instances, for example, to provide changes in level.
Material : High grade aluminium alloy to A356-T6. Net weight : 0.35kg.



STRAIGHT COUPLING - L14-7

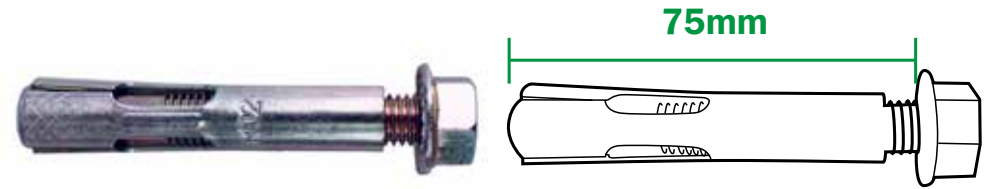
This component provides the method to link the horizontal Main Rail Tubes.
Material : High grade aluminium alloy to A356-T6.
Net weight : 0.38kg.

*** Sold as replacement parts only**



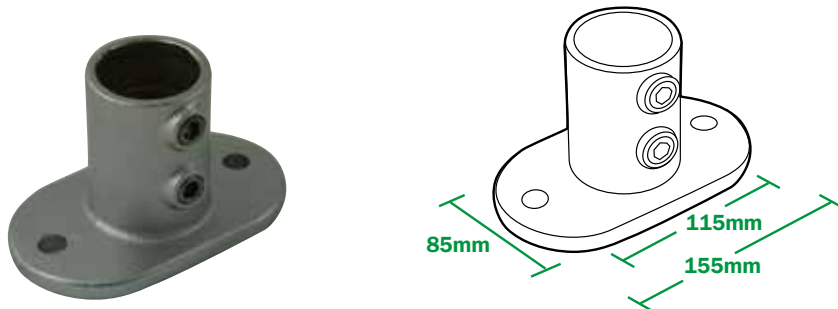
WALL/LADDER CLAMP - SL 109C

This component provides the means to terminate the system against a façade or clamp the system to a cat ladder/structure where the stringer is a maximum of 70mm wide.
Material : Galvanised steel to BS EN ISO 1461. Net weight : 1.1kg.



WALL FIXING - SL 110

The wall fixing is used in pairs in conjunction with a Wall Clamp
Material : Stainless steel. Net weight : 0.064kg.



STANDARD RAILING FLANGE - 62-8

This component provides the means of connecting the Support Leg to the Base Plate. The component is also used to terminate the system against a façade.
Material : Malleable cast iron to BS 1562 and galvanised to BS EN ISO 1461. Net weight : 1.3kg.



PLASTIC CAP - SL105

This component is fitted to the top of the Support Leg to prevent water ingress.
Material : PVC. Net weight : 0.009kg.



ANGLE BASE FLANGE - 63/8

This component provides the method to link the bottom of the Brace Assembly Unit to the Metal Plate Metal Roof component. Material : Malleable cast iron to BS 1562 and galvanised to BS EN ISO 1461.
Net weight : 0.38kg.



KeeGuard Topfix Lite Assembly Guide

STANDARD SUPPORT LEG (KGTF-AL)

These are supplied already assembled at the correct height (1100mm) with the saddle clamps set at the correct position and the Base Plate Metal Roofs already attached.

BRACE ASSEMBLY UNIT (KGTF-ALB)

These are supplied already assembled at the correct height (1100mm) complete with cast fittings and the Base Plate Metal Roofs already attached.



KGTF-AL



KGTF-ALB

LAYING OUT SUPPORT LEG, BRACE ASSEMBLY UNITS AND MAIN RAIL TUBES

Lay out the equipment in approximately the positions shown below. Always ensure that you and the equipment are at a safe distance from the roof edge. It is recommended that this distance is no less than 2m (6'6").

Lay out two 3.0m Main Rail Tubes (7-3-AHL) side by side and in a continual line, for the whole length of the required guardrail (ensure these do not roll towards the roof edge). Then start laying out the Support Leg Units. If your start position is from a corner, start laying out the Support Legs at the following maximum centres.

(EN 13374 & BS 13700 – Max 3m centres)

(EN 14122-3 (Max 1.5m centres))

Layout a Brace Assembly Unit at every free standing end and at 4.5m centres.

Please refer to technical specifications.

Carry on laying out the Support Legs & Brace Assembly Units for the required length of guardrail.



FIGURE 1.

Fixed and Intermediate Details



A

SELF CLOSING GATE ACCESS POINT

Components

- 1-2No. Support Legs (Position of break Dependent)
- 1No. Self closing gate (GT25P)
- 2No Brace Assembly Units (KGTF-ALB)
- 4No. 90° Elbows (L15-7)
- 2No. End pieces



B

FREE STANDING END

Components

- 1No. Support Leg (Position of break Dependent)
- 1No Brace Assembly Units (KGTF-ALB)
- 2No. 90° Elbows (L15-7)
- 1No. End piece



C

WALL CLAMP

Components

- 1No. End piece
- 1No. Three Socket Tee Connector (L25-7)
- 1No. Wall/Ladder Clamp (SL109C)
- 2No. 90° Elbows (L15-7)
- 2No. Wall fixings (SL110)

LAYING OUT FITTINGS

Where the two Main Rail Tubes butt together lay out 2No. Straight Couplings (L14-7) in order for the Main Rail Tubes to be joined. At corners 2No. 90° Elbows will be required (L15-7). (Use Adjustable Side Outlet Tee Elbows in pairs where corners/ridges are 60° - 200° (L19-7)). See also Fixed and intermediate Details above for additional required components. (See figure 1)

STAGE 1

Establish the desired starting point for the first Support Post to be fitted. If this is a free standing end a Brace Assembly Unit (KGTF-ALB) will be required for support. Brace Assembly Units are required at every 4.5m throughout the system.

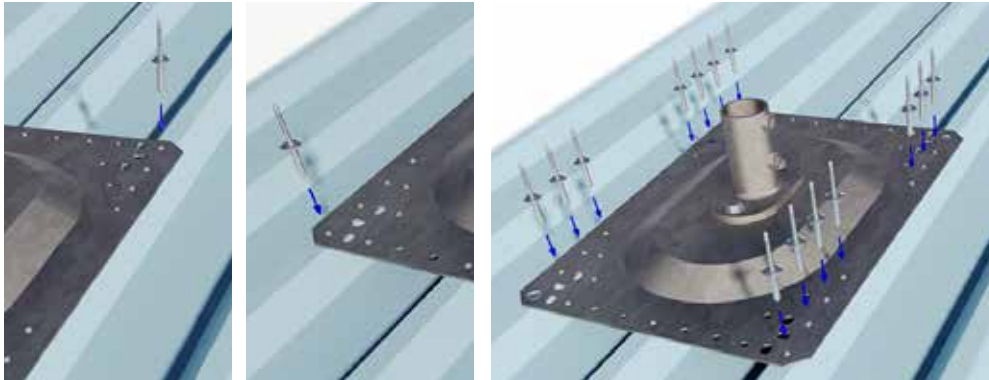
Decide the orientation of the Base Plate and fixing holes (8 minimum) that are going to be used. On the underside of the Base Plate Metal Roofs fix the double sided Sealing Strip along the complete length of the plate covering all the holes in the plate that are to be used for fixing the plate to the metal roof.

Carefully remove the backing on the double sided Seal Strip and place the Base Plate Metal Roofs in the desired position.

Firmly press down on the Base Plate Metal Roofs ensuring it's supported at all times so it's in contact with the crowns of the sheeting.

Using a 6.7mm drill, drill through two of the desired holes and using the rivets provided fix the plate. Ensure the remaining six holes are still aligned and finally drill and rivet the plate in place. Fix using the supplied 6.4mm x 14.5mm rivets provided.

Repeat the above process for the next Base Plate Metal Roofs (Max centres - refer to technical specification for recommended centres) ensuring it's aligned with the first Base Plate Metal Roofs. This is essential to maintain a straight guardrail installation.



Repeat the above process for the next Base Plate Metal Roofs (Max centres - refer to technical specification for recommended centres) ensuring it's aligned with the first Base Plate Metal Roofs. This is essential to maintain a straight guardrail installation.

STAGE 2

Insert the Support Legs with the open cup Saddle Clamp (L135-87) facing inwards and tighten the grub screws on the Standard Railing Flange (62-8)

Note:-

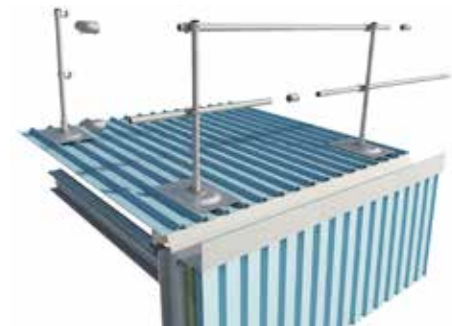
Free standing ends and every 4.5m require a (KGTF-ALB) Brace Assembly Unit to be fitted to the Support legs. In order to complete this, remove the top Saddle Clamp (L135-87) from the Support Leg. Slide the Brace Assembly Unit over the Support Leg. Replace the top Saddle Clamp (L135-87). Tighten the grub screws.

Place a Main Rail Tube (7-3-AHL) into the bottom Saddle Clamp (L135-87) of each of the Standing Legs. Position the tube so there is at least 60mm protruding from the Saddle Clamp (L135-87), and tighten the grub screw. These are located on the front of the Saddle Clamp (L135-87). Place the second Main Rail Tube (7-3-AHL) into the top Saddle Clamp (L135-87), positioning the tube as before, leaving at least 60mm of the tube protruding from the Saddle Clamp (L135-87), and tighten the grub screw of the Saddle Clamp (L135-87).



STAGE 3

Working away from the corner slide a Straight Coupling (L14-7) on to the top and intermediate Main Rail Tubes. Ensure the Straight Couplings (14-8) are off set as shown. As far as possible only use one Straight Coupling (14-8) per bay. To turn the corner slide and secure the 90° Elbows (L15-7) to at least 60mm of Main Rail Tube (7-3-AHL) (Use Adjustable Side Outlet Tee Elbows in pairs where corners/ ridges are 60° - 200° (L19-7)).



STAGE 4

Repeat Stages 2-3 and continue with this method of fitting the Main Rail Tube (7-3-AHL), Support Legs and Brace Assembly Units together for this run of guardrail, remembering to align the Base Plate Metal roofs, ensuring it's aligned with the first Base Plate Metal Roofs. This is essential to maintain a straight guardrail installation. Adjust, line and level guardrail. Now repeat (STAGE 1-4) above for the remaining runs. Position the clamp so the grub screws are facing outwards and tighten the grub screw at the connected end.

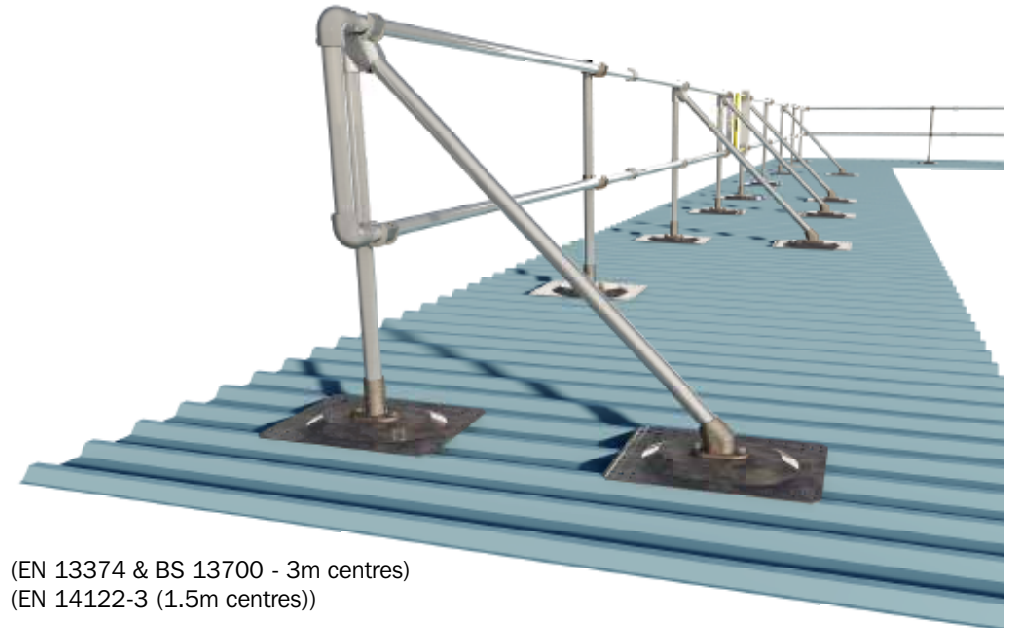


STAGE 5

Determine the end detail and finish the guardrail accordingly (See Fixed and Intermediate Details).

WARNING

Under no circumstances should any person be anchored to the system for fall arrest purposes. Further, components such as timber infill, advertising boards, polyethylene sheets must not be fixed to the system.



(EN 13374 & BS 13700 - 3m centres)
(EN 14122-3 (1.5m centres))

Please refer to technical specifications.





Guardrail Systems Recertification

- Periodic inspections by a competent person are recommended by the manufacturer. In UK/Europe these are required under Regulation 5 of the Workplace (Health, Safety & Welfare) Regulations, the Work at Height Regulations and BS EN 365 & BS 13700. The frequency will depend upon the environment, location and usage but should be at least every 12 months.
- Walk and visually inspect the complete installed system in relation to the general client's needs. Establish if any modifications and/or additional products are required to reflect any refurbishment requirements or additional plant & equipment which have been installed and require access.
- Check installation configuration is complete as per the original installation drawing/plan.
- Ensure the system has not been modified or tampered with by unauthorised persons.
- Check all rivets connecting Base Plate Metal Roofs.
- Check all grub screws are in place, greased and sufficiently torque.
- Check that the general height and level of the system including the leg centres.
(This only tends to be an issue if the system has been tampered with between inspections).
- Any galvanised components showing signs of corrosion should be wire brushed thoroughly and galvanised spray/paint applied as appropriate.
If rusted significantly, take digital photographs and include these in the inspection report.
- Where toe-boards are fitted check the brackets that support the toe-board are in place, greased and sufficiently torqued.
- Where applicable, check fixings to walls/structures including cat ladder clamps are in place, greased and sufficiently torqued.
- Check system plaque position & mark up to reflect date of the next required inspection. Establish if additional plaques are required due to any refurbishment works.



Kee Safety Limited
Cradley Business Park
Overend Road, Cradley Heath
West Midlands B64 7DW

Phone: +44 (0) 1384 632 188
Fax: +44 (0) 1384 632 192
sales@keesafety.com
www.keesafety.co.uk