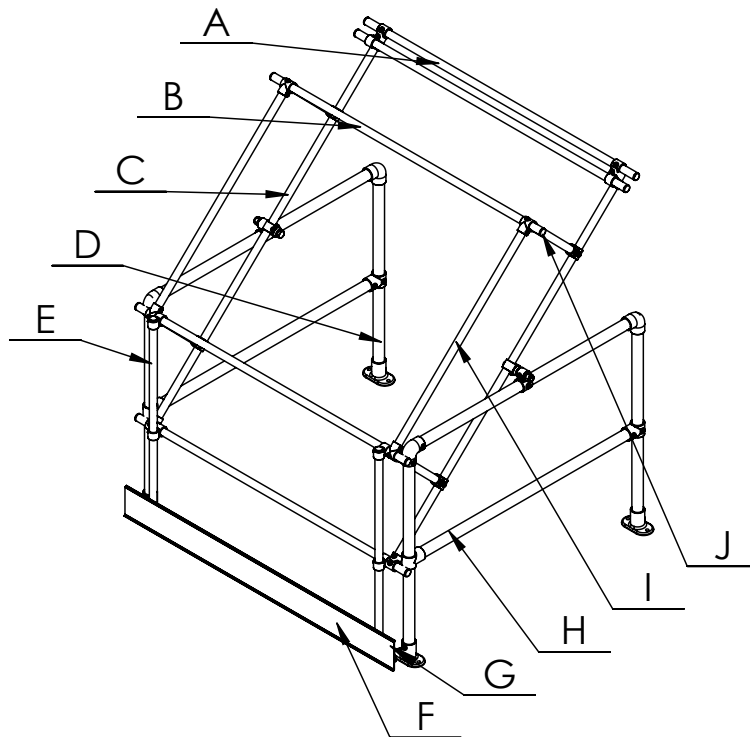




SAFETY AT THE HIGHEST LEVEL

Kee Pivot Pallet Gate Technical Datasheet Pack



Revision 1

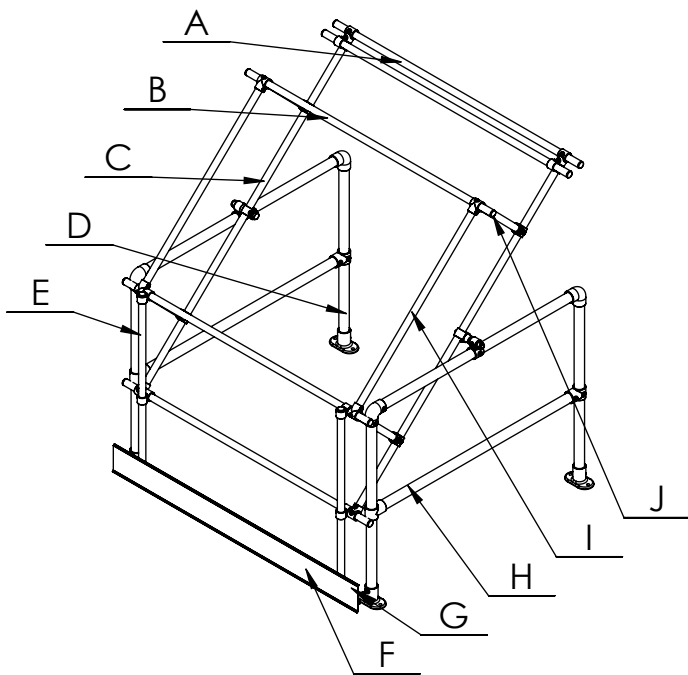
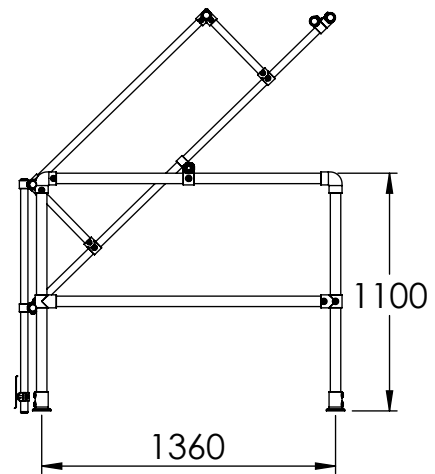
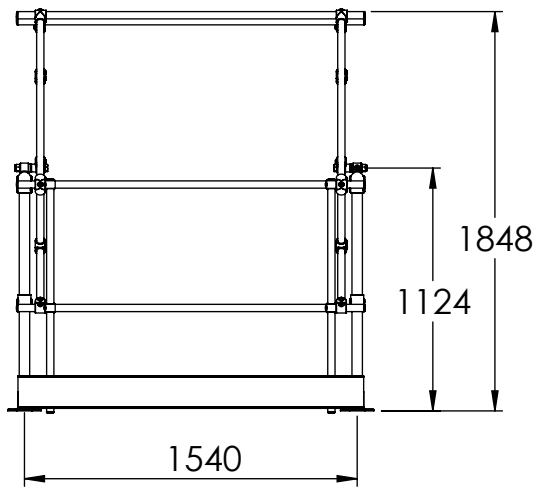
Issued August 2017

Technical Datasheet No: 0001

TYPE A STANDARD PALLET GATE

Part No: SGPGTYAGV

Short Part No: KGATE02



ITEM NO.	PART NO.	DESCRIPTION	QTY.
A	BGA	ASSEMBLY A GATE A	1
B	CGA	ASSEMBLY C GATE A	4
C	AGALH	ASSEMBLY A LH GATE A	1
D	FGA	ASSEMBLY F GATE A	4
E	GGA	ASSEMBLY G GATE A	2
F	EGA	ASSEMBLY E GATE A	1
G	M10X50FS	M10 x 50 FIXING SET	4
H	DGA	ASSEMBLY D GATE A	2
I	AGARH	ASSEMBLY A RH GATE A	1
J	77-6	77-6 PLASTIC PLUG	12

APPLICATION

Type A gate is balanced for a positive open and close action. This gate accepts pallets up to 1.4m x 1.48m with a maximum height capacity of 1.6m. Toe-board mounted on mezzanine edge side to protect workers below.

COMPONENT SPECIFICATION

Material	Malleable Cast Iron / Steel tubing to EN 10255 / Aluminium Alloy 6063-T6 / PVC
Finish	Galvanised to BS EN ISO 1461 / Natural
Weight	91kg

Issue Date: 10/08/2017

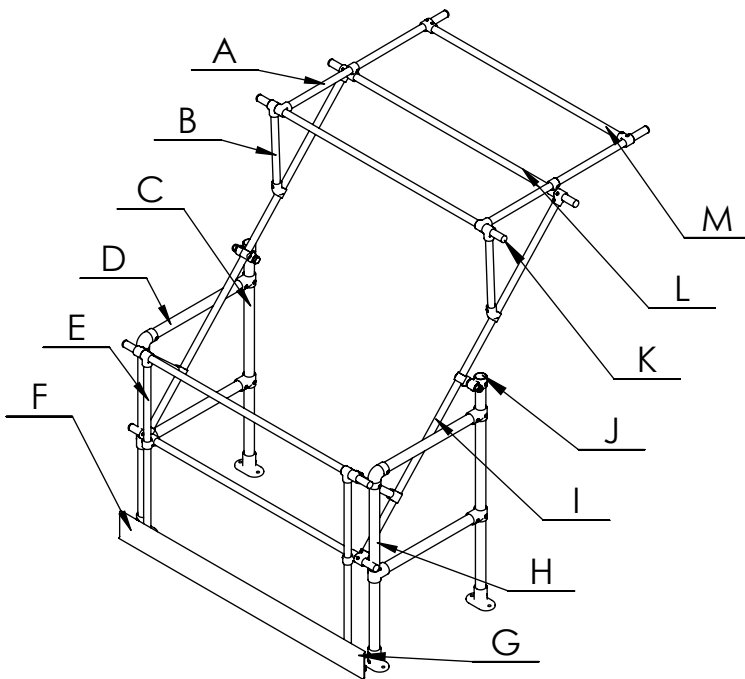
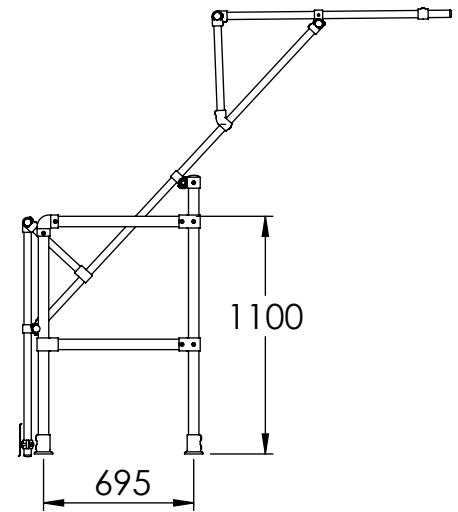
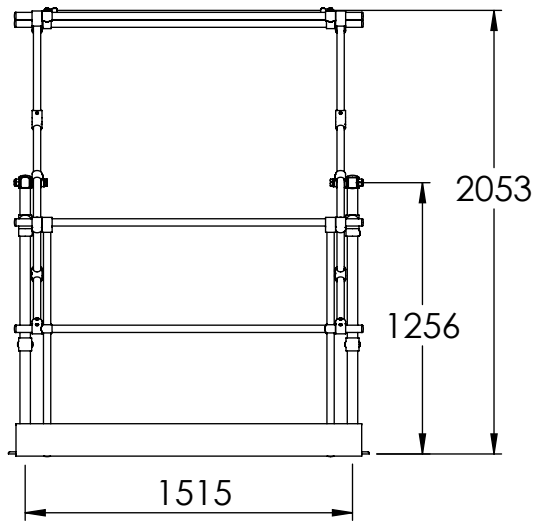
Issue No: 1

Technical Datasheet No: 0002

TYPE B NARROW PALLET GATE

Part No: SGPGTYBGV

Short Part No: KGATE03



ITEM NO.	PART NO.	DESCRIPTION	QTY.
A	FGB	ASSEMBLY F GATE B	2
B	ARHGB	ASSEMBLY A RH GATE B	1
C	HGB	ASSEMBLY H GATE B	2
D	BGB	ASSEMBLY B GATE B	4
E	GGB	ASSEMBLY G GATE B	2
F	DGB	ASSEMBLY D GATE B	1
G	M10X50FS	M10 x 50 FIXING SET	4
H	IGB	ASSEMBLY I GATE B	2
I	ALHGB	ASSEMBLY A LH GATE B	1
J	007780040	77-8 PLASTIC PLUG	2
K	007760040	77-6 PLASTIC PLUG	12
L	EGB	ASSEMBLY E GATE B	4
M	CGB	ASSEMBLY C GATE B	1

APPLICATION

The Type B narrow frame pallet gate is perfect for use on mezzanines where space is limited. The design of this gate means less floor space is required to load and unload. Balanced for a positive open and close action. This gate accepts pallets up to 1.4m x 1.48m with a maximum height capacity of 1.8m. Toe-board mounted on mezzanine edge side.

COMPONENT SPECIFICATION

Material	Malleable Cast Iron / Steel tubing to EN 10255 / Aluminium Alloy 6063-T6 / PVC
Finish	Galvanised to BS EN ISO 1461 / Natural
Weight	85kg

Issue Date: 10/08/2017

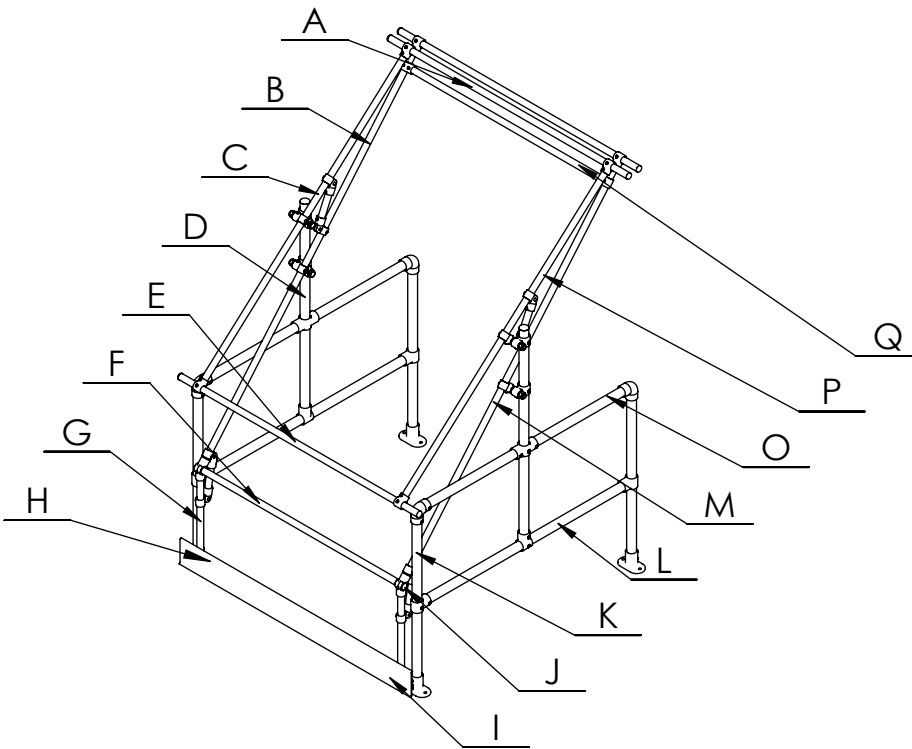
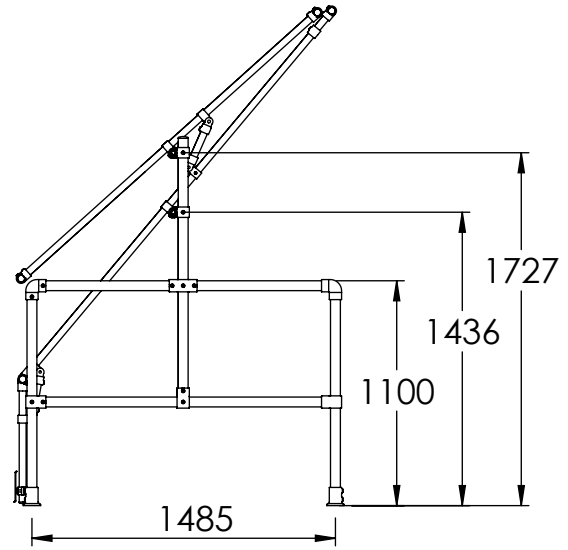
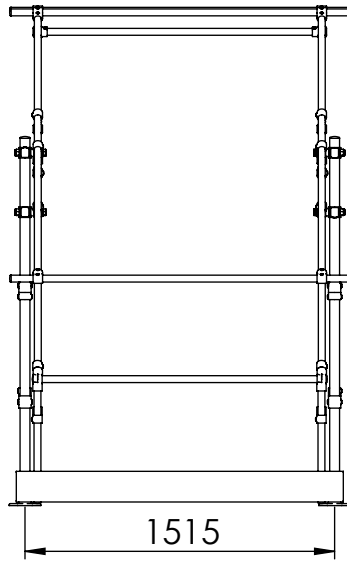
Issue No: 1

Technical Datasheet No: 0003

TYPE C TALL PALLET GATE

Part No: SGPGTYCGV

Short Part No: KGATE01



ITEM NO.	PART NO.	DESCRIPTION	QTY.
A	CGC	ASSEMBLY C GATE C	2
B	BRHGC	ASSEMBLY B RH GATE C	1
C	ARHGC	ASSEMBLY A RH GATE C	1
D	IGC	ASSEMBLY I GATE C	2
E	DGC	ASSEMBLY D GATE C	1
F	GGC	ASSEMBLY G GATE C	1
G	HGC	ASSEMBLY H GATE C	2
H	M10X50FS	M10 x 50 FIXING SET	4
I	LGC	ASSEMBLY L GATE C	1
J	007760040	77-6 PLASTIC PLUG	2
K	JGC	ASSEMBLY J GATE C	4
L	EGC	ASSEMBLY E GATE C	2
M	BLHGC	ASSEMBLY B LH GATE C	1
O	KGC	ASSEMBLY K GATE C	2
P	ALHGC	ASSEMBLY A LH GATE C	1
Q	FGC	ASSEMBLY F GATE C	1

APPLICATION

The Type C gate offers the tallest capacity of the Kee Pallet Gates. The cantilever design of this gate provides maximum height with minimal ceiling height requirement. Balanced for a positive open and close action. This gate accepts pallets up to 1.4m x 1.48m with a maximum height capacity of 2.2m. Toe-board mounted on mezzanine edge side

COMPONENT SPECIFICATION

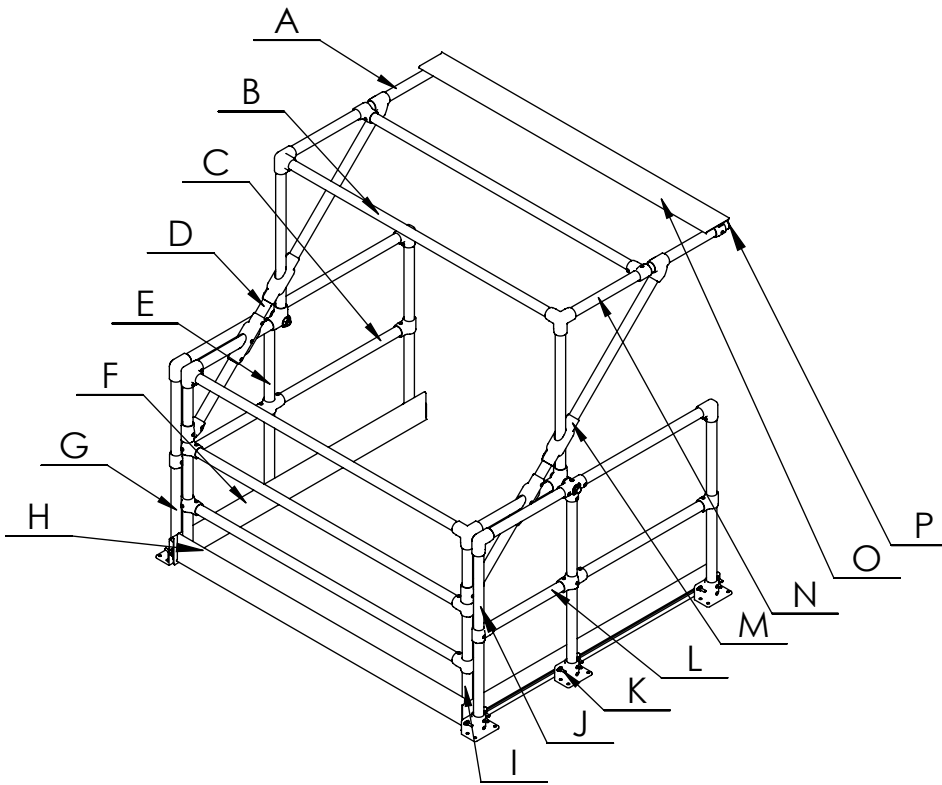
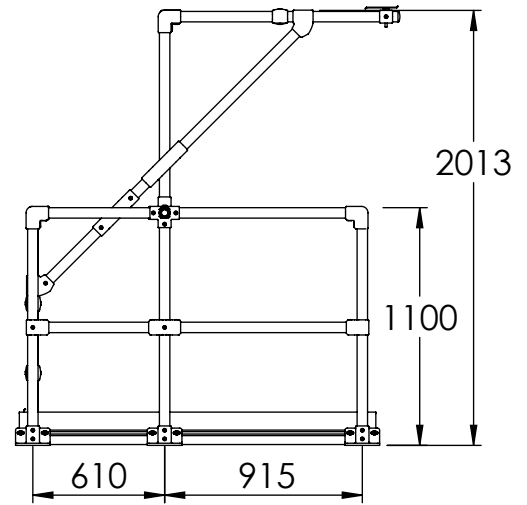
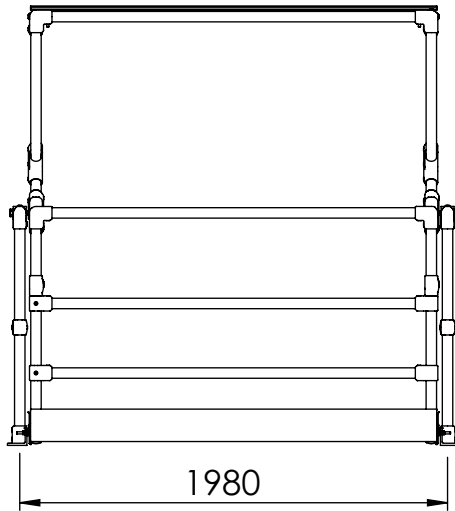
Material	Malleable Cast Iron / Steel tubing to EN 10255 / Aluminium Alloy 6063-T6 / PVC
Finish	Galvanised to BS EN ISO 1461 / Natural
Weight	125kg

Technical Datasheet No: 0004

TYPE D PREMIUM WIDE PALLET GATE

Part No: SGPGTYDAL

Short Part No: KGATE05



ITEM NO.	PART NO.	DESCRIPTION	QTY.
A	BLHGD	ASSEMBLY B LH GATE D	1
B	EGD	ASSEMBLY E GATE D	5
C	HGD	ASSEMBLY H GATE D	2
D	ARHGD	ASSEMBLY A RH GATE D	1
E	FGD	ASSEMBLY F GATE D	2
F	KGD	ASSEMBLY K GATE D	2
G	DGD	ASSEMBLY D GATE D	2
H	M10X80FS	M10 X 80 FIXING SET	4
I	CGD	ASSEMBLY C GATE D	2
J	GGD	ASSEMBLY G GATE D	2
K	M10X50FS	M10 x 50 FIXING SET	12
L	IGD	ASSEMBLY I GATE D	2
M	ALHGD	ASSEMBLY A LH GATE D	1
N	BRHGD	ASSEMBLY B RH GATE D	1
O	JGD	ASSEMBLY J GATE D	2
P	007780040	77-8 PLASTIC PLUG	4

APPLICATION

The Type D gate offers the widest load capacity of the Kee Pallet Gates. The design of this gate provides maximum load width, whilst also offering 2m head clearance for workers. Made from Aluminium and balanced for a positive open and close action. This gate accepts pallets up to 1.4m x 1.95m with a maximum height capacity of 1.6m. Toe-board mounted on all sides to protect gates from pallet contact.

COMPONENT SPECIFICATION

Material	High Grade Aluminium Alloy A356-T6 / Aluminium 6082-T6 / Malleable Cast Iron / PVC
Finish	Natural / Anodised / Galvanised to BS EN ISO 1461
Weight	77kg

Issue Date: 10/08/2017

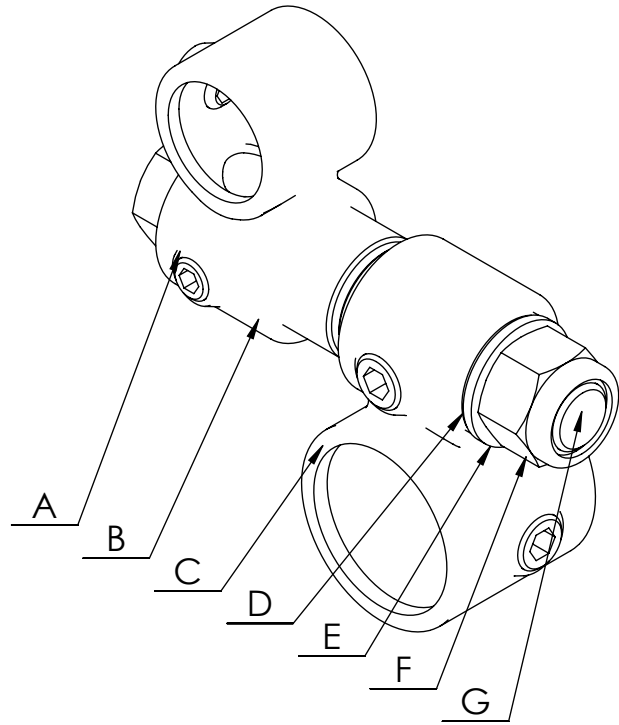
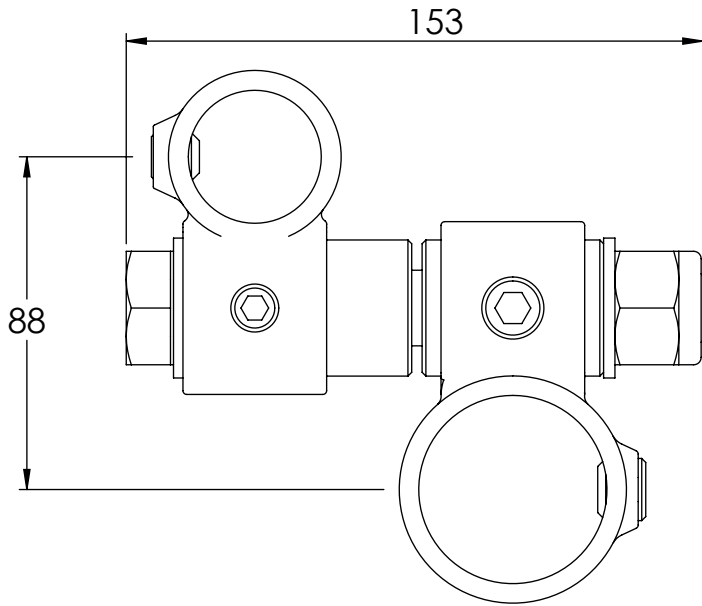
Issue No: 1

Technical Datasheet No: 0005

GATE HINGE ASSEMBLY A,B,C

Part No: GHAABC

Short Part No: GHAABC



ITEM NO.	PART NO.	DESCRIPTION	QTY.
A	KGATE0002	36 x 60 NYLON BUSH	1
B	004560010	45-6 CROSSOVER	1
C	004586010	45-86 CROSSOVER	1
D	KGATE0001	36 x 48 NYLON BUSH	1
E	----	M20 WASHER	2
F	----	M20 NYLOC NUT	1
G	-----	M20x140 BOLT	1

APPLICATION

Hinge Assembly for Typa A, B, and C Pallet Gate.

COMPONENT SPECIFICATION

Material	Mild Steel / Nylon
Finish	HDG / Natural
Weight	1.42kg

Issue Date: 10/08/2017

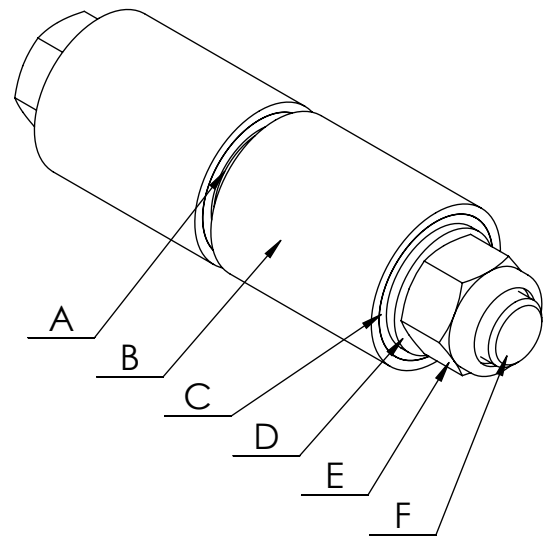
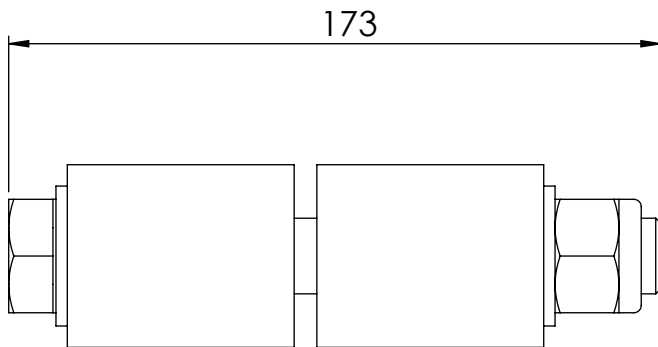
Issue No: 1

Technical Datasheet No: 0006

GATE HINGE ASSEMBLY D

Part No: GHAD

Short Part No: GHAD



ITEM NO.	PART NO.	DESCRIPTION	QTY.
A	KGATE0002	36 x 60 NYLON BUSH	2
B	TUBE SIZE 8	TUBE SIZE 8 @ 60	2
C	AL TUBE SIZE 7	AL TUBE SIZE 7 @ 60	2
D	----	M20 WASHER	2
E	----	M20 NYLOC NUT	1
F	-----	M20x140 BOLT	1

APPLICATION

Hinge Assembly for Type D Gate

COMPONENT SPECIFICATION

Material	Mild Steel / Nylon / Steel tubing $\phi 33,7 \times 3,2$ / $\phi 26,9 \times 2,7$ to EN 10255
Finish	HDG / Natural / Galvanised to BS EN ISO 1461
Weight	1.19kg

Issue Date: 10/08/2017

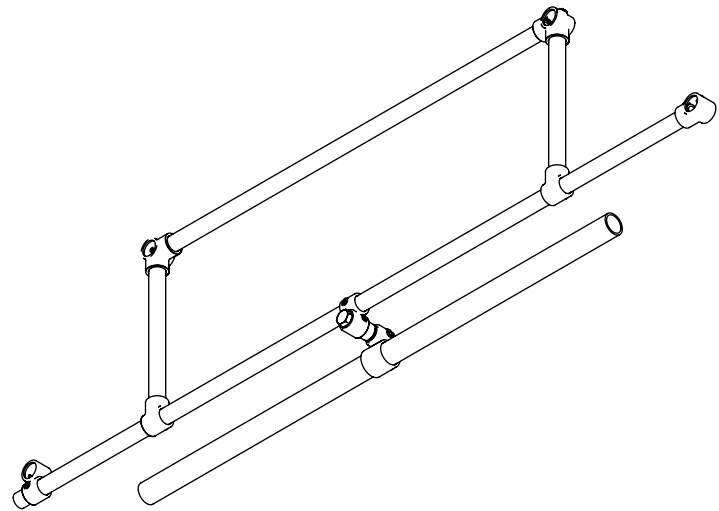
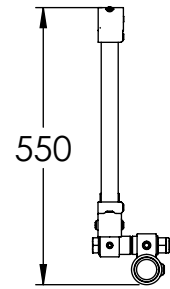
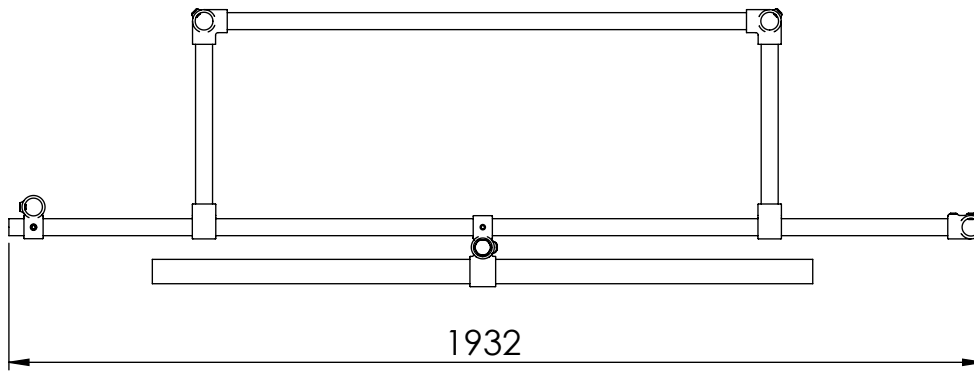
Issue No: 1

Technical Datasheet No: 0007

ASSEMBLY A RH GATE A

Part No: AGARH

Short Part No: AGARH



APPLICATION

Sub-assembly for Type A Gate

COMPONENT SPECIFICATION

Material	Malleable Cast Iron / Steel tubing $\phi 48,3 \times 3,2$ and $\phi 33,7 \times 4,35$ to EN 10255
Finish	Galvanised to BS EN ISO 1461
Weight	21.33kg

Issue Date: 10/08/2017

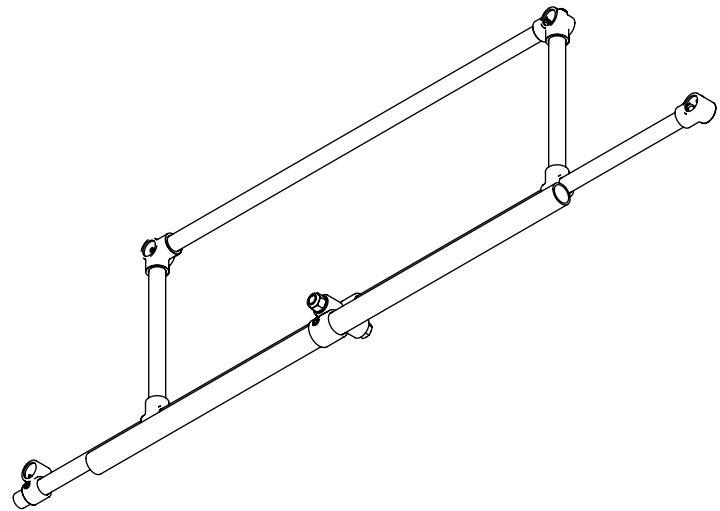
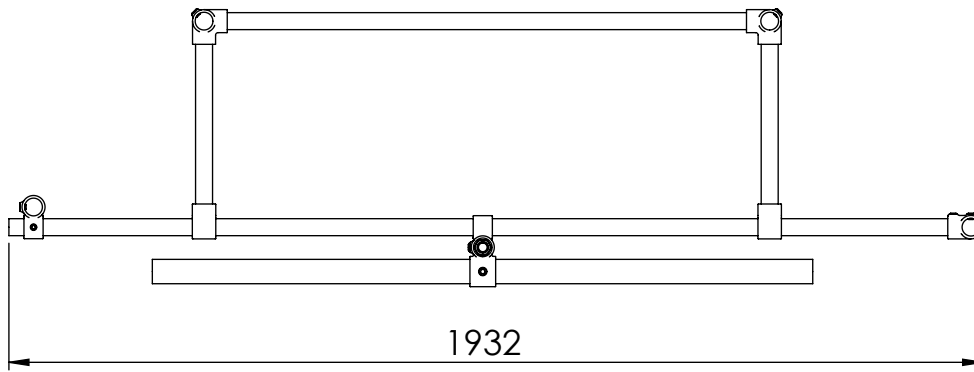
Issue No: 1

Technical Datasheet No: 0008

ASSEMBLY A LH GATE A

Part No: AGALH

Short Part No: AGALH



APPLICATION

Sub-assembly for Type A Gate

COMPONENT SPECIFICATION

Material	Malleable Cast Iron / Steel tubing $\phi 48,3 \times 3,2$ and $\phi 33,7 \times 4,35$ to EN 10255
Finish	Galvanised to BS EN ISO 1461
Weight	21.33kg

Issue Date: 10/08/2017

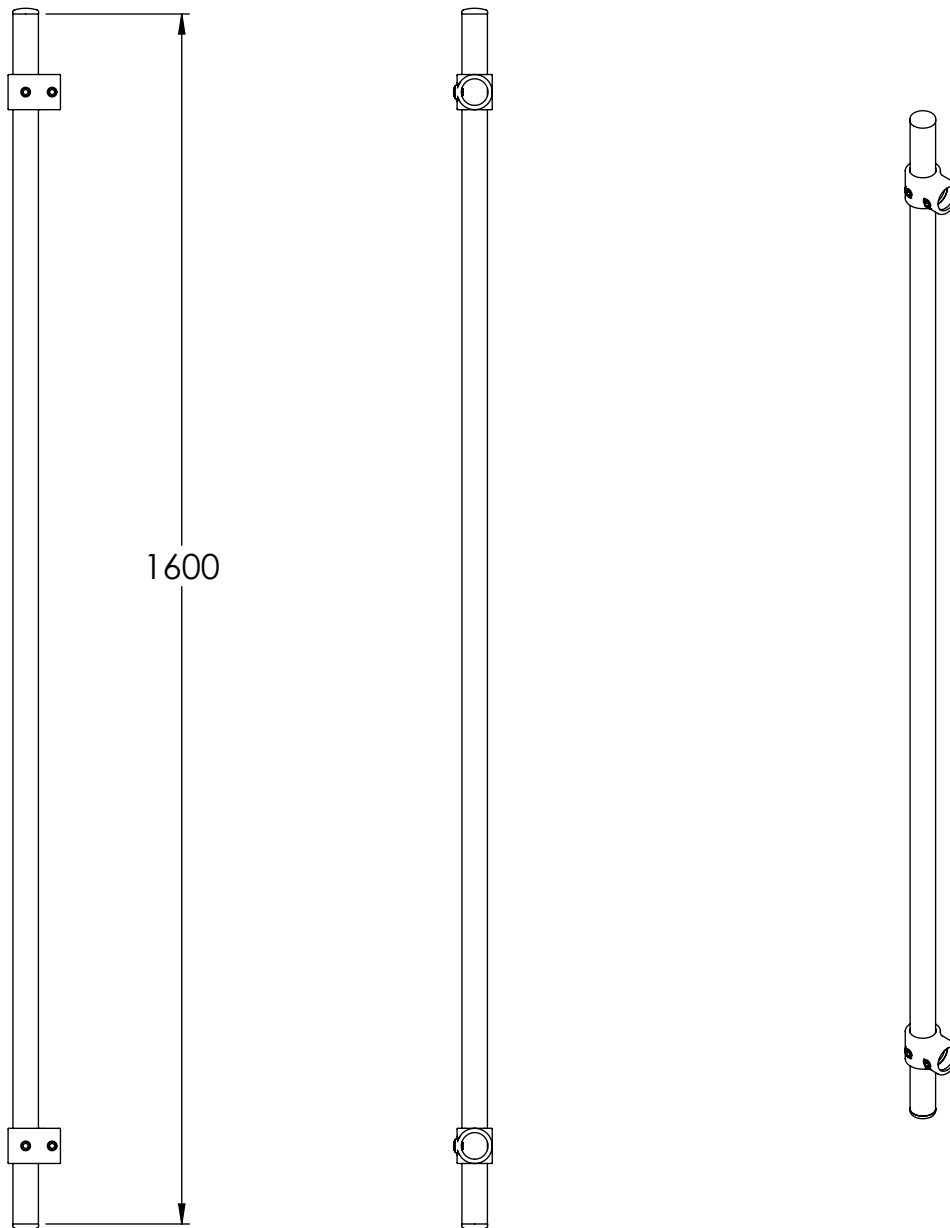
Issue No: 1

Technical Datasheet No: 0009

ASSEMBLY A GATE A

Part No: BGA

Short Part No: BGA



APPLICATION

Sub-assembly for Type A Gate

COMPONENT SPECIFICATION

Material	Malleable Cast Iron / Steel tubing ϕ 33,7 x 4,35 and ϕ 26,9 x 2,6 to EN 10255 / PVC
Finish	Galvanised to BS EN ISO 1461 / Natural
Weight	8.87kg

Issue Date: 10/08/2017

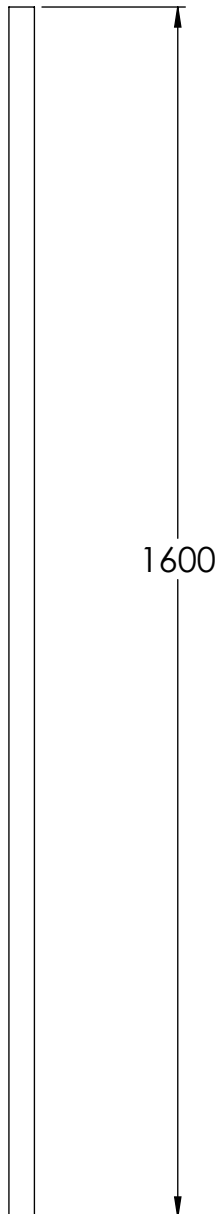
Issue No: 1

Technical Datasheet No: 0010

ASSEMBLY C GATE A

Part No: CGA

Short Part No: CGA



APPLICATION

Sub-assembly for Type A Gate

COMPONENT SPECIFICATION

Material	Steel tubing ϕ 33,7 x 4,35 to EN 10255
Finish	Galvanised to BS EN ISO 1461
Weight	5.13kg

Issue Date: 10/08/2017

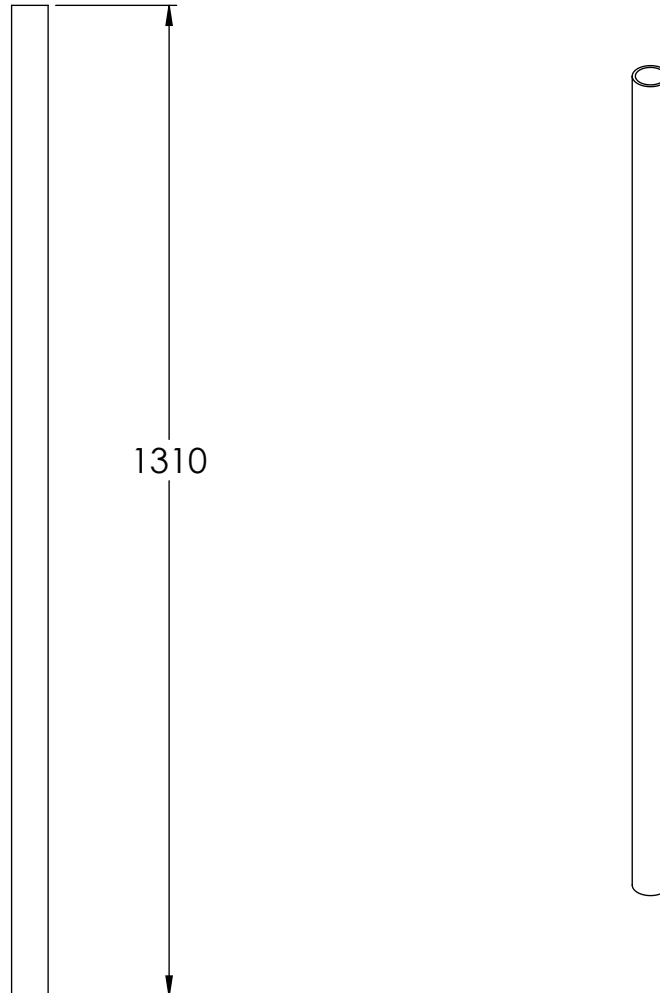
Issue No: 1

Technical Datasheet No: 0011

ASSEMBLY D GATE A

Part No: DGA

Short Part No: DGA



APPLICATION

Sub-assembly for Type A Gate

COMPONENT SPECIFICATION

Material	Steel tubing ϕ 48,3 x 3,2 to EN 10255
Finish	Galvanised to BS EN ISO 1461
Weight	5.88kg

Issue Date: 10/08/2017

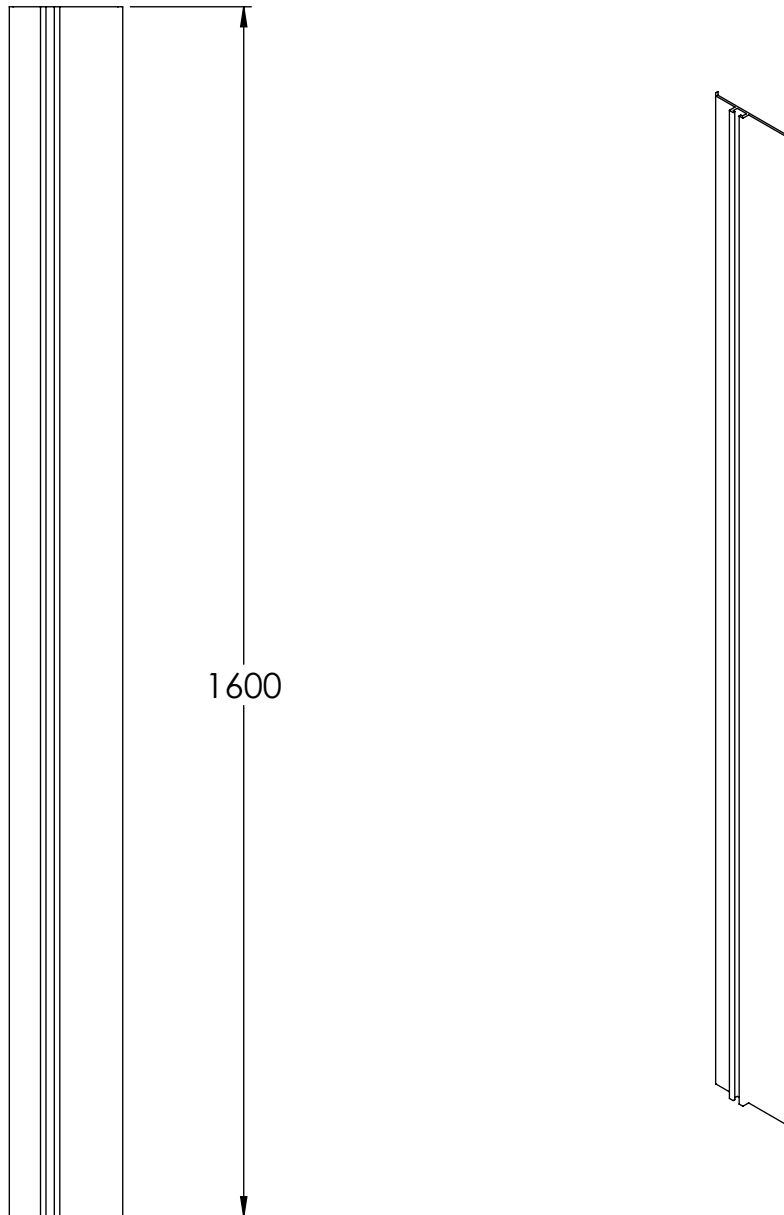
Issue No: 1

Technical Datasheet No: 0012

ASSEMBLY E GATE A

Part No: EGA

Short Part No: EGA



APPLICATION

Sub-assembly for Type A Gate

COMPONENT SPECIFICATION

Material	Aluminium Alloy 6063-T6
Finish	Natural
Weight	2.61kg

Issue Date: 10/08/2017

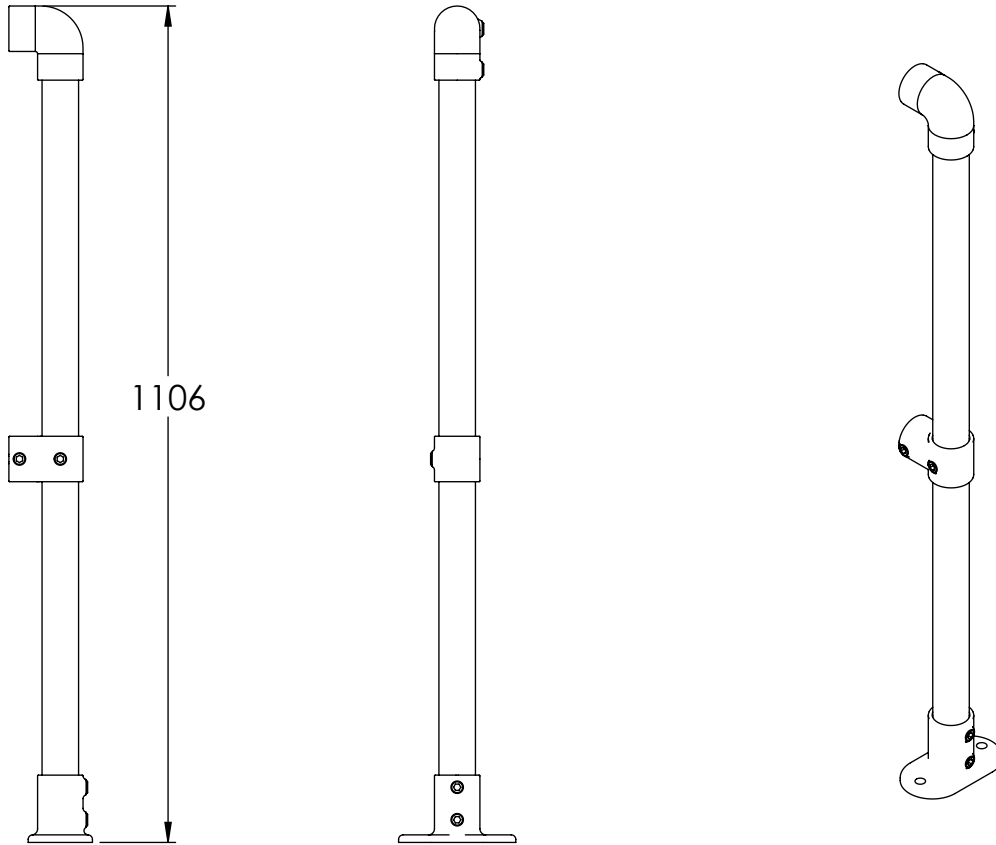
Issue No: 1

Technical Datasheet No: 0013

ASSEMBLY F GATE A

Part No: FGA

Short Part No: FGA



APPLICATION

Sub-assembly for Type A Gate

COMPONENT SPECIFICATION

Material	Malleable Cast Iron / Steel tubing ϕ 48,3 x 3,2 to EN 10255
Finish	Galvanised to BS EN ISO 1461
Weight	7.18kg

Issue Date: 10/08/2017

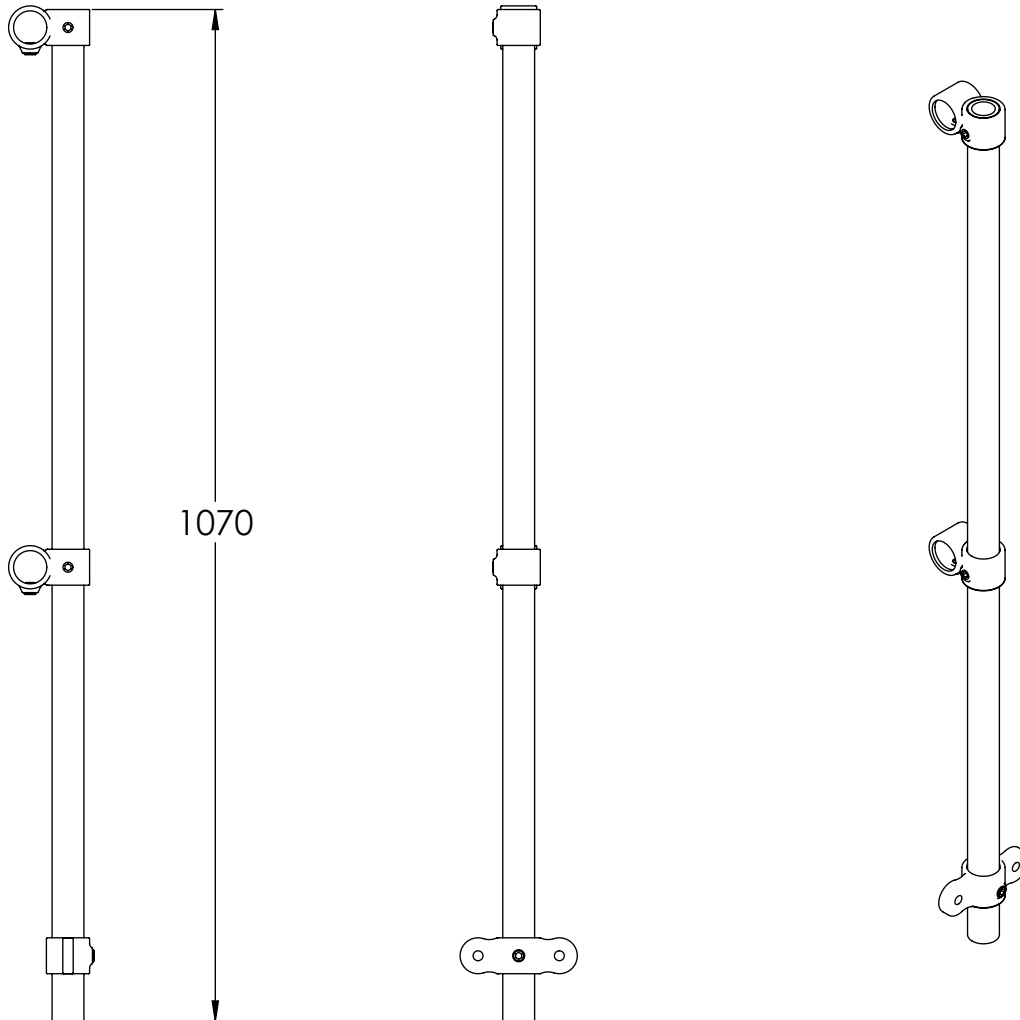
Issue No: 1

Technical Datasheet No: 0014

ASSEMBLY G GATE A

Part No: GGA

Short Part No: GGA



APPLICATION

Sub-assembly for Type A Gate

COMPONENT SPECIFICATION

Material	Malleable Cast Iron / Steel tubing ϕ 33,7 x 4,35 to EN 10255
Finish	Galvanised to BS EN ISO 1461
Weight	4.45kg

Issue Date: 10/08/2017

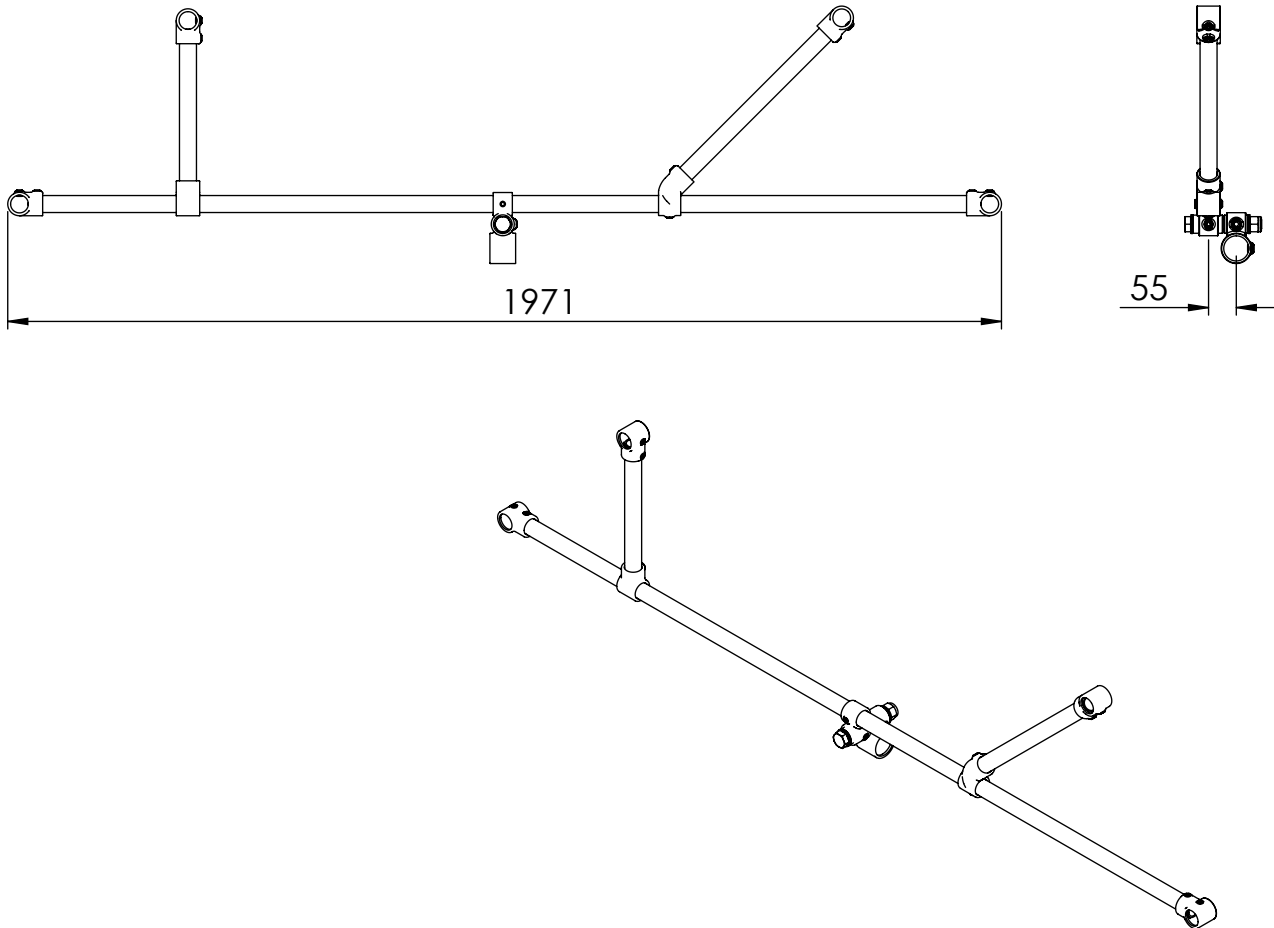
Issue No: 1

Technical Datasheet No: 0015

ASSEMBLY A RH GATE B

Part No: ARHGB

Short Part No: ARHGB



APPLICATION

Sub-assembly for Type B Gate

COMPONENT SPECIFICATION

Material	Malleable Cast Iron / Steel tubing ϕ 33,7 x 3,2 to EN 10255
Finish	Galvanised to BS EN ISO 1461
Weight	10.01kg

Issue Date: 10/08/2017

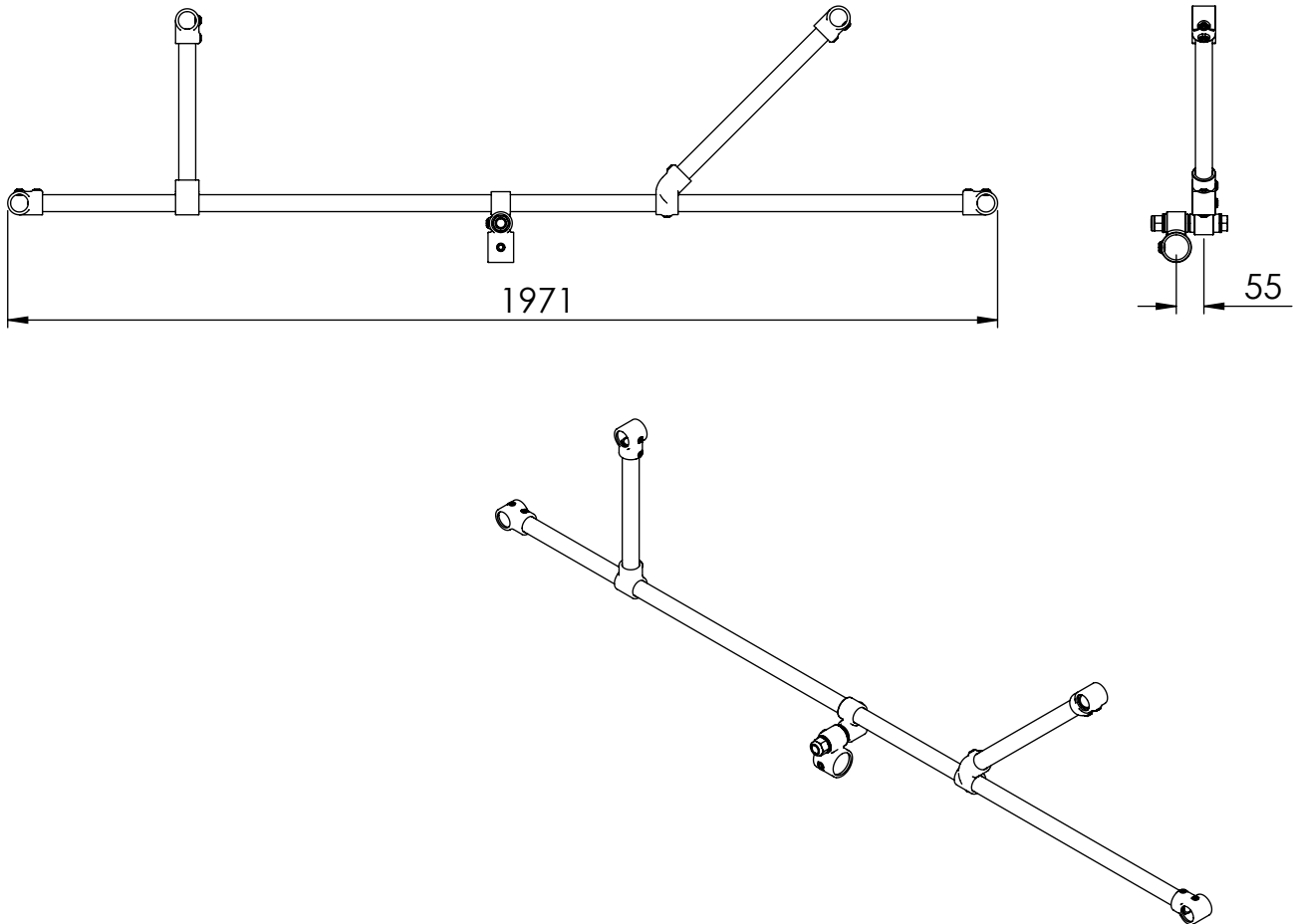
Issue No: 1

Technical Datasheet No: 0016

ASSEMBLY A LH GATE B

Part No: ALHGB

Short Part No: ALHGB



APPLICATION

Sub-assembly for Type B Gate

COMPONENT SPECIFICATION

Material	Malleable Cast Iron / Steel tubing ϕ 33,7 x 3,2 to EN 10255
Finish	Galvanised to BS EN ISO 1461
Weight	10.01kg

Issue Date: 10/08/2017

Issue No: 1

Technical Datasheet No: 0017

ASSEMBLY B GATE B

Part No: BGB

Short Part No: BGB



APPLICATION

Sub-assembly for Type B Gate

COMPONENT SPECIFICATION

Material	Steel tubing ϕ 48,3 x 3,2 to EN 10255
Finish	Galvanised to BS EN ISO 1461
Weight	2.92kg

Issue Date: 10/08/2017

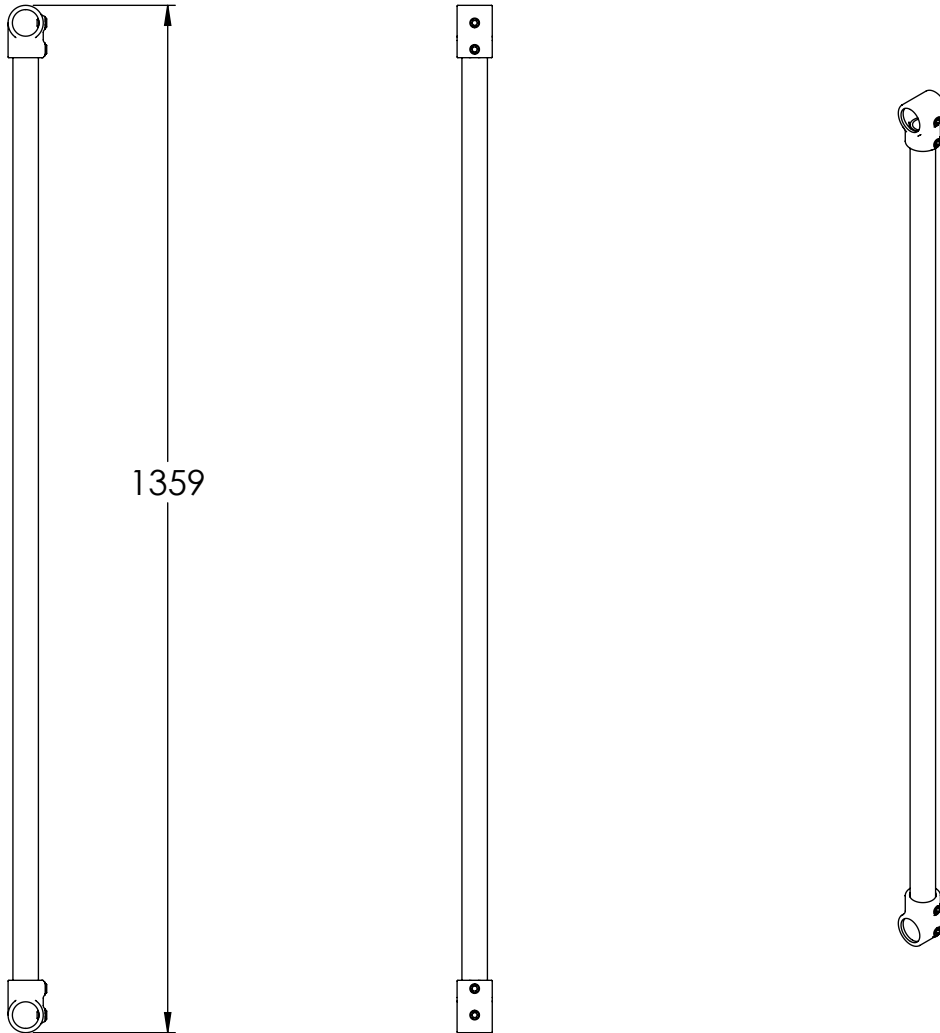
Issue No: 1

Technical Datasheet No: 0018

ASSEMBLY C GATE B

Part No: CGB

Short Part No: CGB



APPLICATION

Sub-assembly for Type B Gate

COMPONENT SPECIFICATION

Material	Malleable Cast Iron / Steel tubing ϕ 33,7 x 3,2 to EN 10255
Finish	Galvanised to BS EN ISO 1461
Weight	3.80kg

Issue Date: 10/08/2017

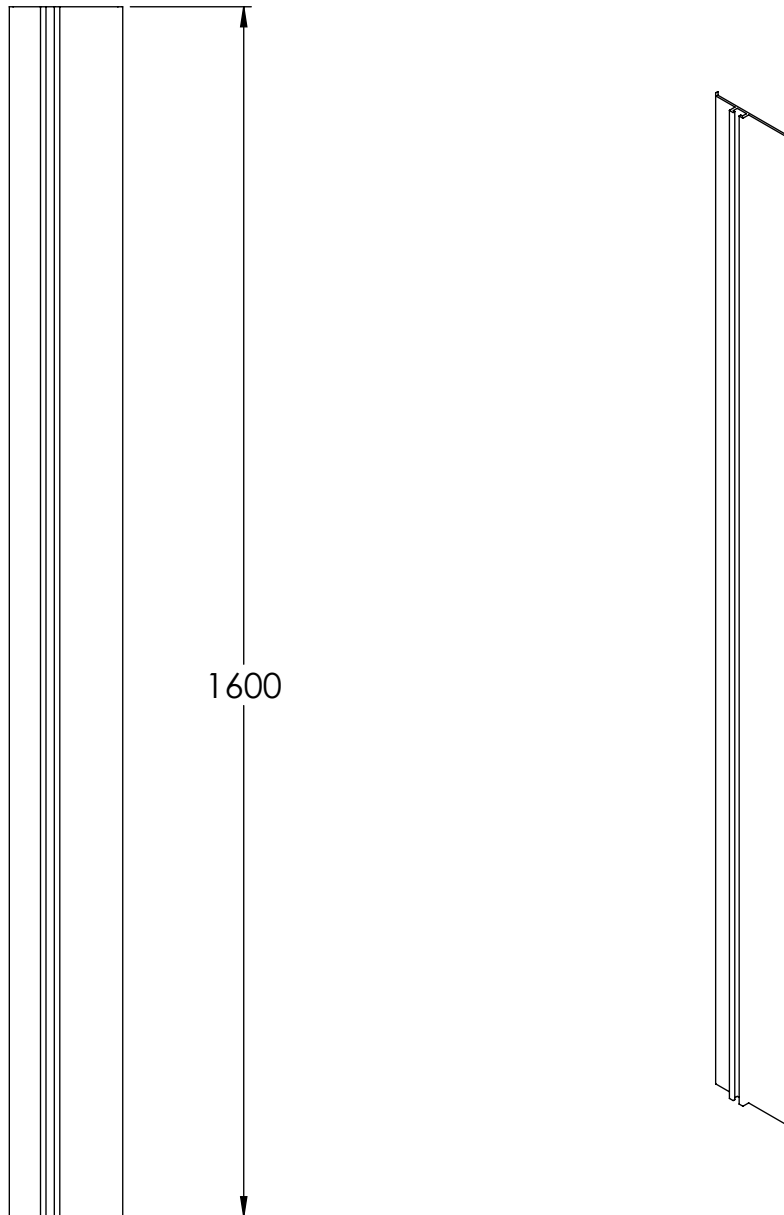
Issue No: 1

Technical Datasheet No: 0019

ASSEMBLY D GATE B

Part No: DGB

Short Part No: DGB



APPLICATION

Sub-assembly for Type B Gate

COMPONENT SPECIFICATION

Material	Aluminium Alloy 6063-T6
Finish	Natural
Weight	2.61kg

Issue Date: 10/08/2017

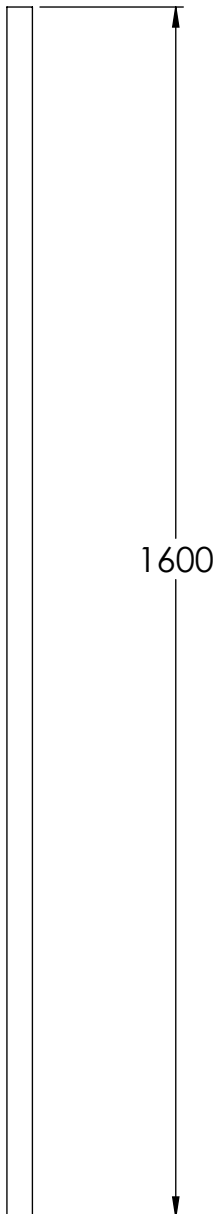
Issue No: 1

Technical Datasheet No: 0020

ASSEMBLY E GATE B

Part No: EGB

Short Part No: EGB



APPLICATION

Sub-assembly for Type B Gate

COMPONENT SPECIFICATION

Material	Steel tubing ϕ 33,7 x 3,2 to EN 10255
Finish	Galvanised to BS EN ISO 1461
Weight	3.92kg

Issue Date: 10/08/2017

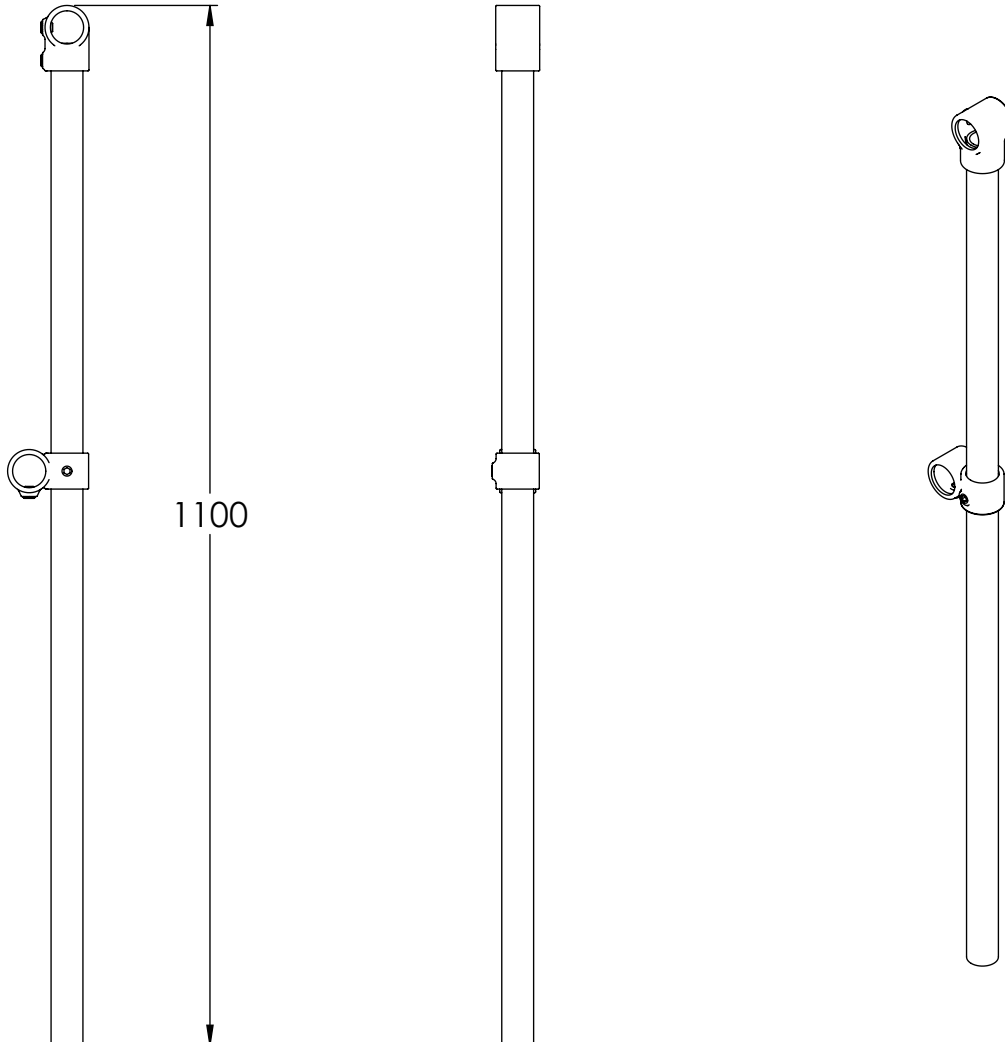
Issue No: 1

Technical Datasheet No: 0021

ASSEMBLY F GATE B

Part No: FGB

Short Part No: FGB



APPLICATION

Sub-assembly for Type B Gate

COMPONENT SPECIFICATION

Material	Malleable Cast Iron / Steel tubing ϕ 33,7 x 3,2 to EN 10255
Finish	Galvanised to BS EN ISO 1461
Weight	3.26kg

Issue Date: 10/08/2017

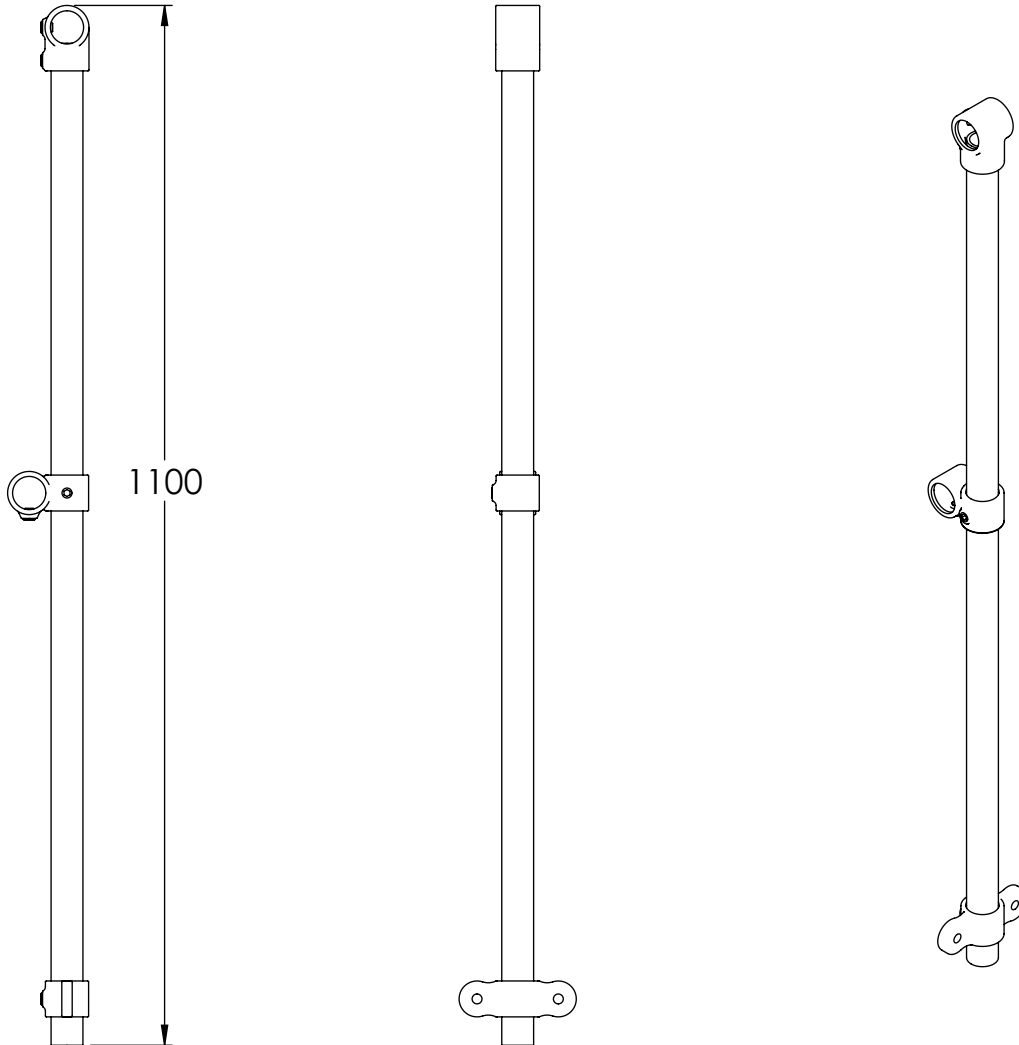
Issue No: 1

Technical Datasheet No: 0022

ASSEMBLY G GATE B

Part No: GGB

Short Part No: GGB



APPLICATION

Sub-assembly for Type B Gate

COMPONENT SPECIFICATION

Material	Malleable Cast Iron / Steel tubing ϕ 33,7 x 3,2 to EN 10255
Finish	Galvanised to BS EN ISO 1461
Weight	3.63kg

Issue Date: 10/08/2017

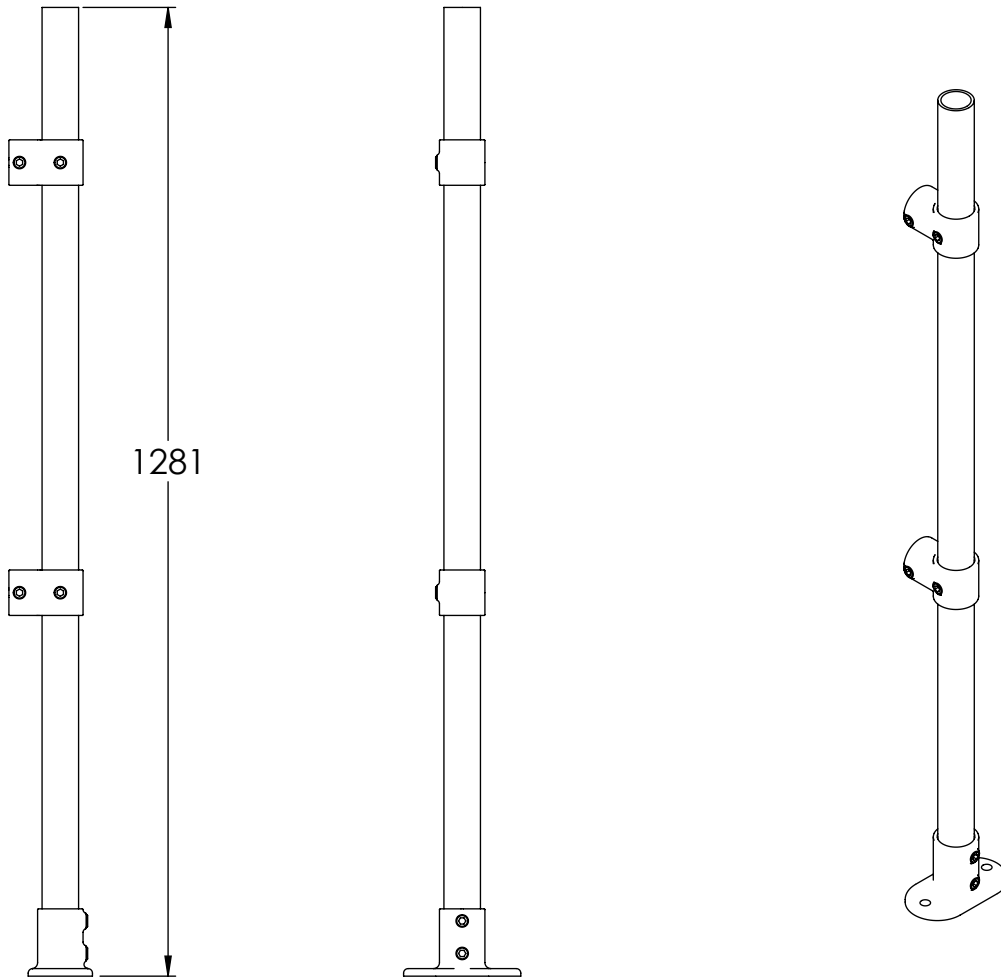
Issue No: 1

Technical Datasheet No: 0023

ASSEMBLY H GATE B

Part No: HGB

Short Part No: HGB



APPLICATION

Sub-assembly for Type B Gate

COMPONENT SPECIFICATION

Material	Malleable Cast Iron / Steel tubing ϕ 48,3 x 3,2 to EN 10255
Finish	Galvanised to BS EN ISO 1461
Weight	8.06kg

Issue Date: 10/08/2017

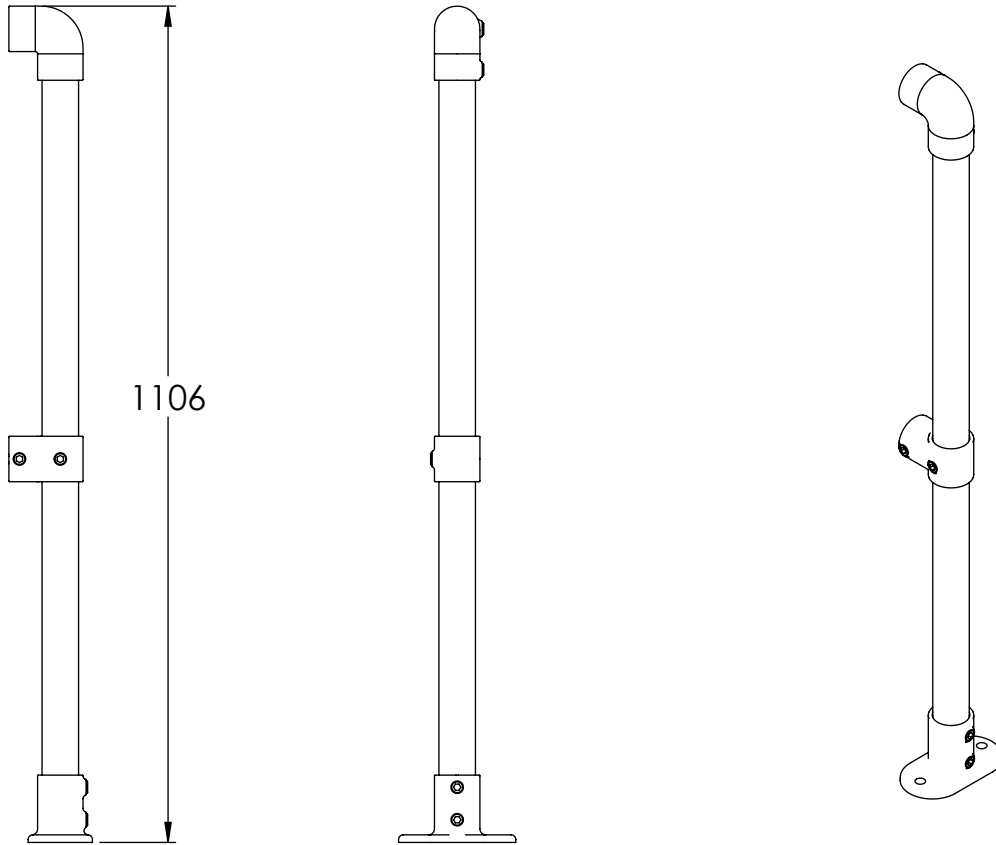
Issue No: 1

Technical Datasheet No: 0024

ASSEMBLY I GATE B

Part No: IGB

Short Part No: IGB



APPLICATION

Sub-assembly for Type B Gate

COMPONENT SPECIFICATION

Material	Malleable Cast Iron / Steel tubing ϕ 48,3 x 3,2 to EN 10255
Finish	Galvanised to BS EN ISO 1461
Weight	7.18KG

Issue Date: 10/08/2017

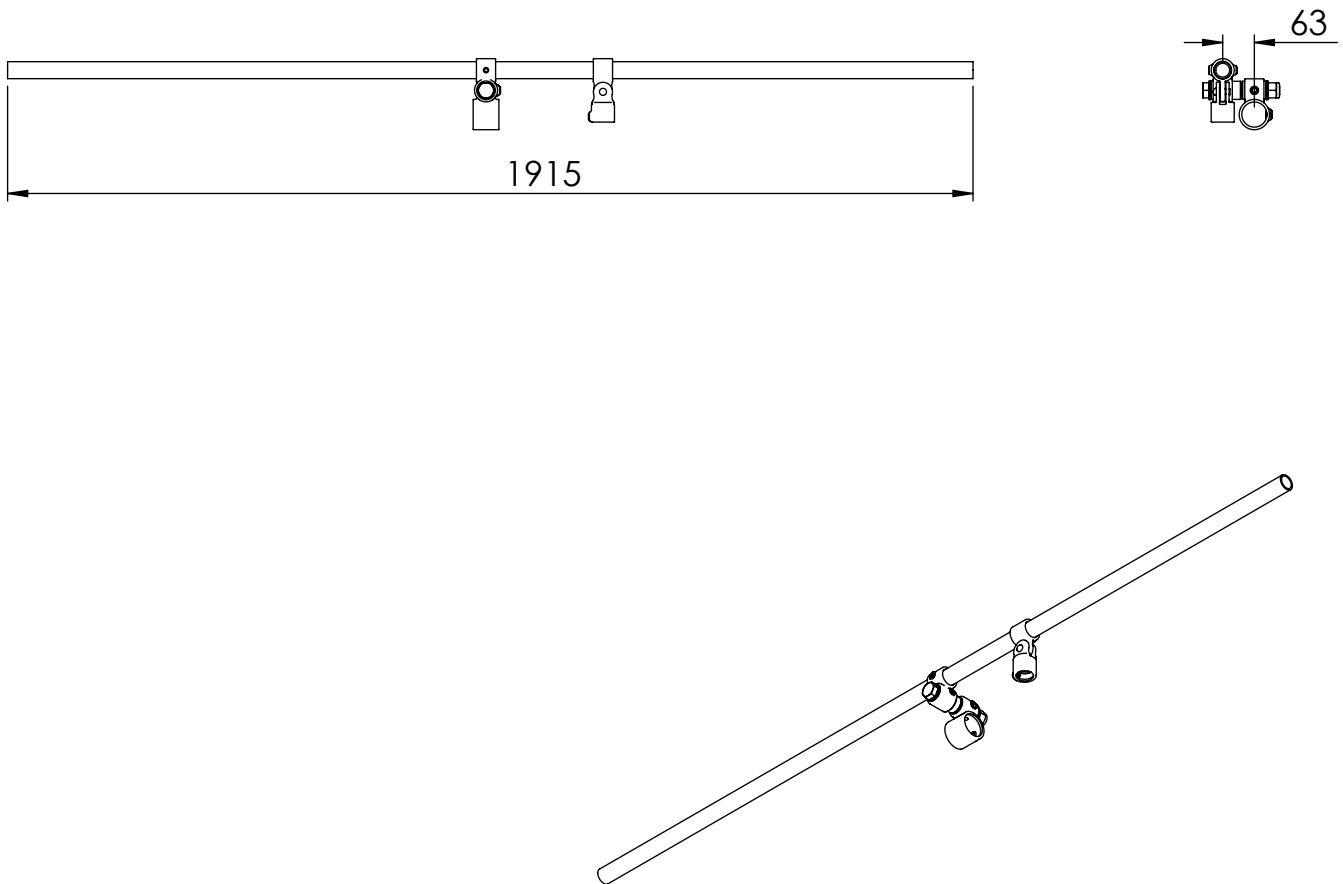
Issue No: 1

Technical Datasheet No: 0025

ASSEMBLY A RH GATE C

Part No: ARHGC

Short Part No: ARHGC



APPLICATION

Sub-assembly for Type C Gate

COMPONENT SPECIFICATION

Material	Malleable Cast Iron / Steel tubing ϕ 33,7 x 3,2 to EN 10255
Finish	Galvanised to BS EN ISO 1461
Weight	6.71kg

Issue Date: 10/08/2017

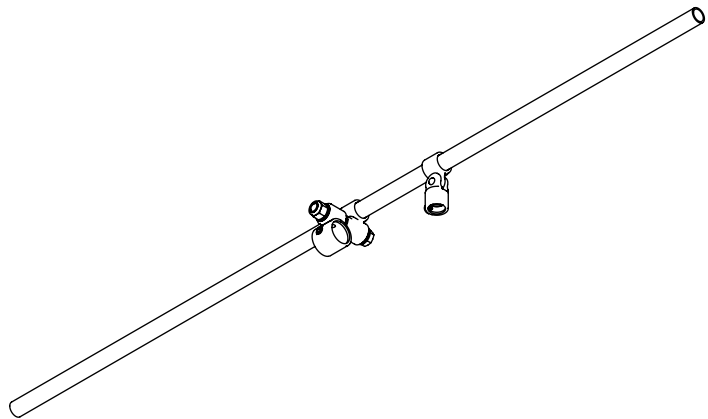
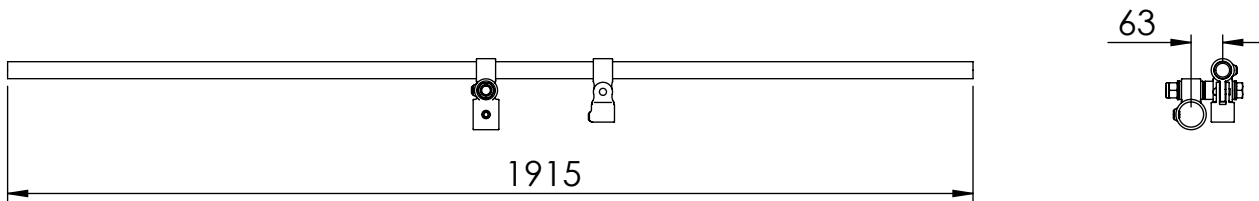
Issue No: 1

Technical Datasheet No: 0026

ASSEMBLY A LH GATE C

Part No: ALHGC

Short Part No: ALHGC



APPLICATION

Sub-assembly for Type C Gate

COMPONENT SPECIFICATION

Material	Malleable Cast Iron / Steel tubing ϕ 33,7 x 3,2 to EN 10255
Finish	Galvanised to BS EN ISO 1461
Weight	6.71kg

Issue Date: 10/08/2017

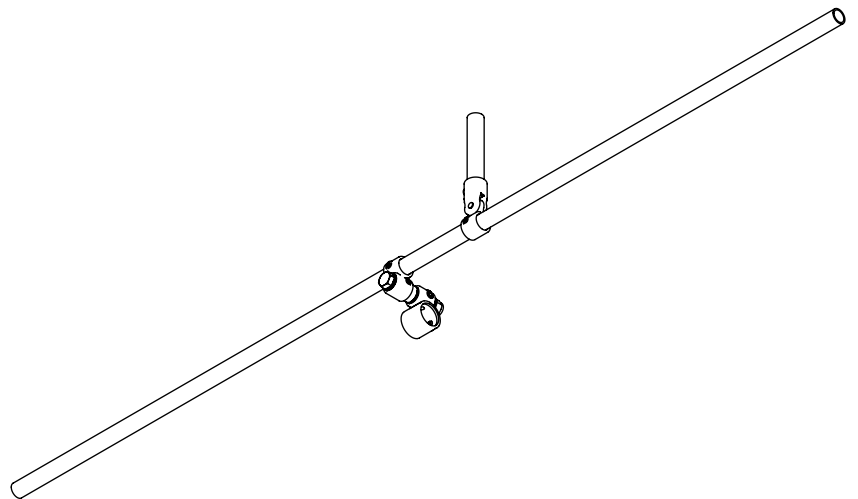
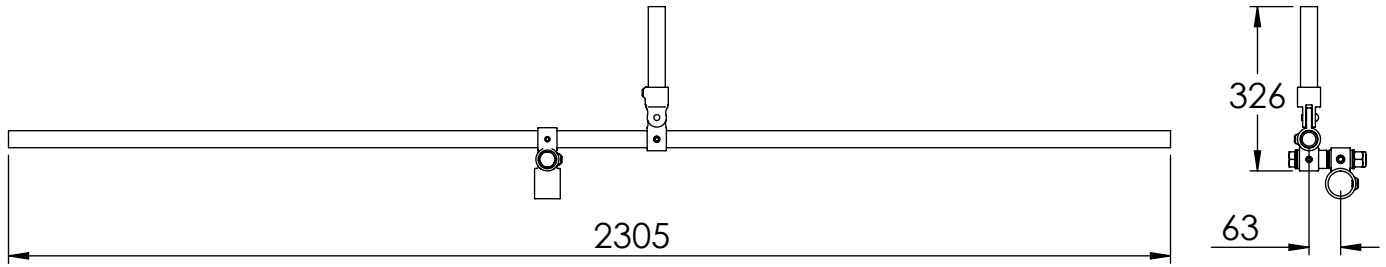
Issue No: 1

Technical Datasheet No: 0027

ASSEMBLY B RH GATE C

Part No: BRHGC

Short Part No: BRHGC



APPLICATION

Sub-assembly for Type C Gate

COMPONENT SPECIFICATION

Material	Malleable Cast Iron / Steel tubing ϕ 33,7 x 3,2 to EN 10255
Finish	Galvanised to BS EN ISO 1461
Weight	8.15kg

Issue Date: 10/08/2017

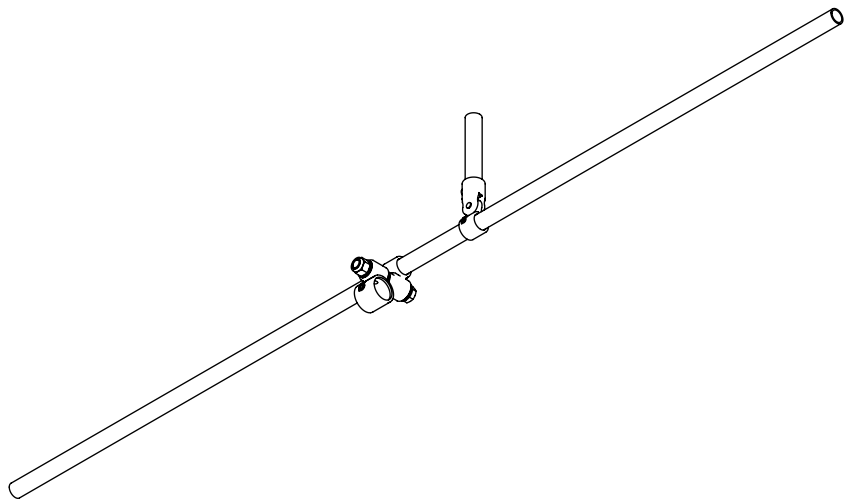
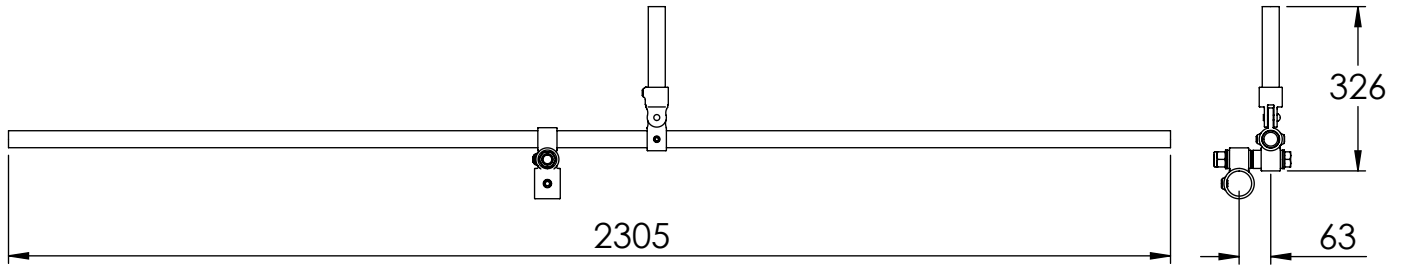
Issue No: 1

Technical Datasheet No: 0028

ASSEMBLY B LH GATE C

Part No: BLHGC

Short Part No: BLHGC



APPLICATION

Sub-assembly for Type C Gate

COMPONENT SPECIFICATION

Material	Malleable Cast Iron / Steel tubing ϕ 33,7 x 3,2 to EN 10255
Finish	Galvanised to BS EN ISO 1461
Weight	8.15kg

Issue Date: 10/08/2017

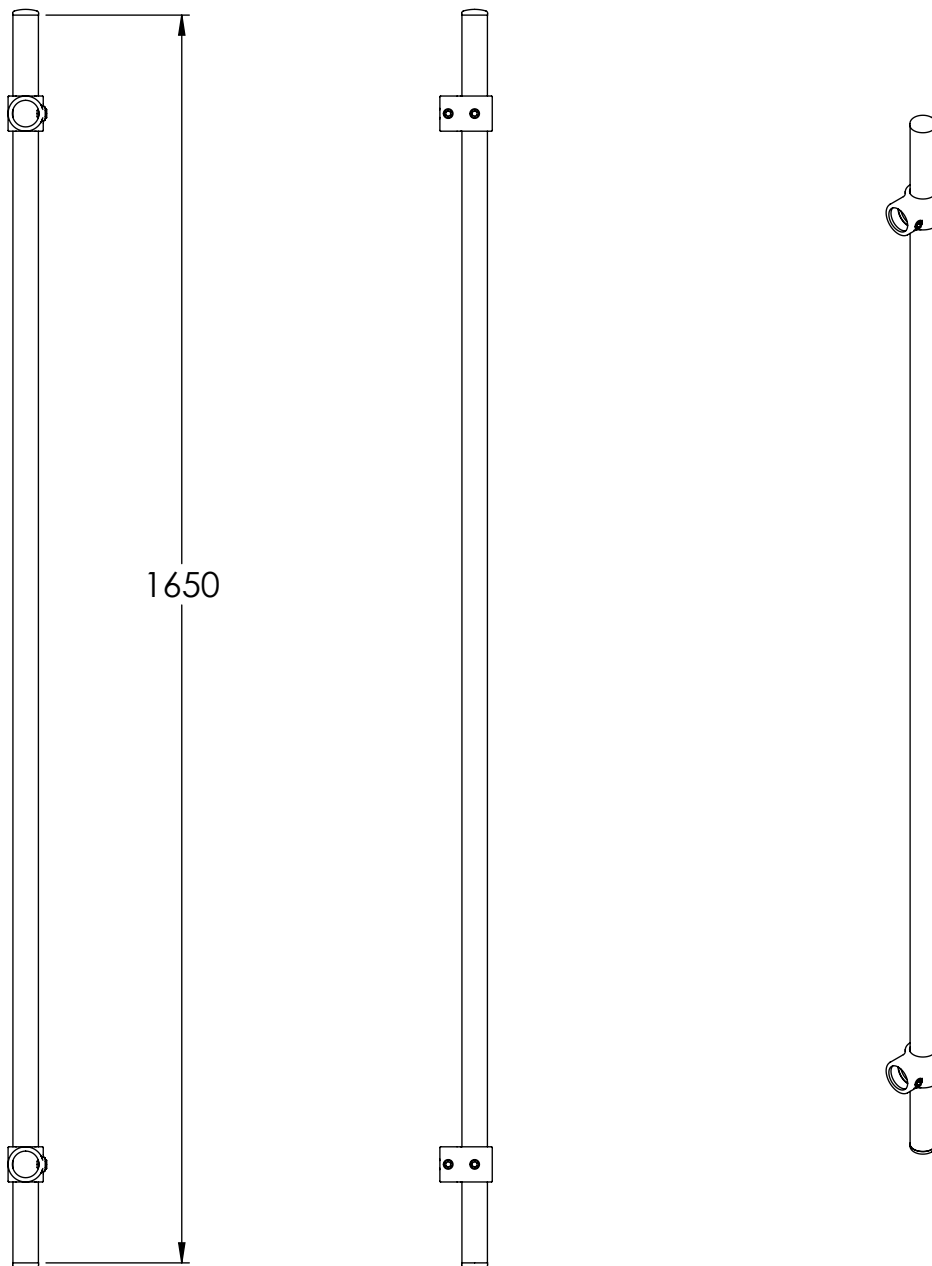
Issue No: 1

Technical Datasheet No: 0029

ASSEMBLY C GATE C

Part No: CGC

Short Part No: CGC



APPLICATION

Sub-assembly for Type C Gate

COMPONENT SPECIFICATION

Material	Malleable Cast Iron / Steel tubing ϕ 33,7 x 3,2 to EN 10255 / PVC
Finish	Galvanised to BS EN ISO 1461 / Natural
Weight	4.73kg

Issue Date: 10/08/2017

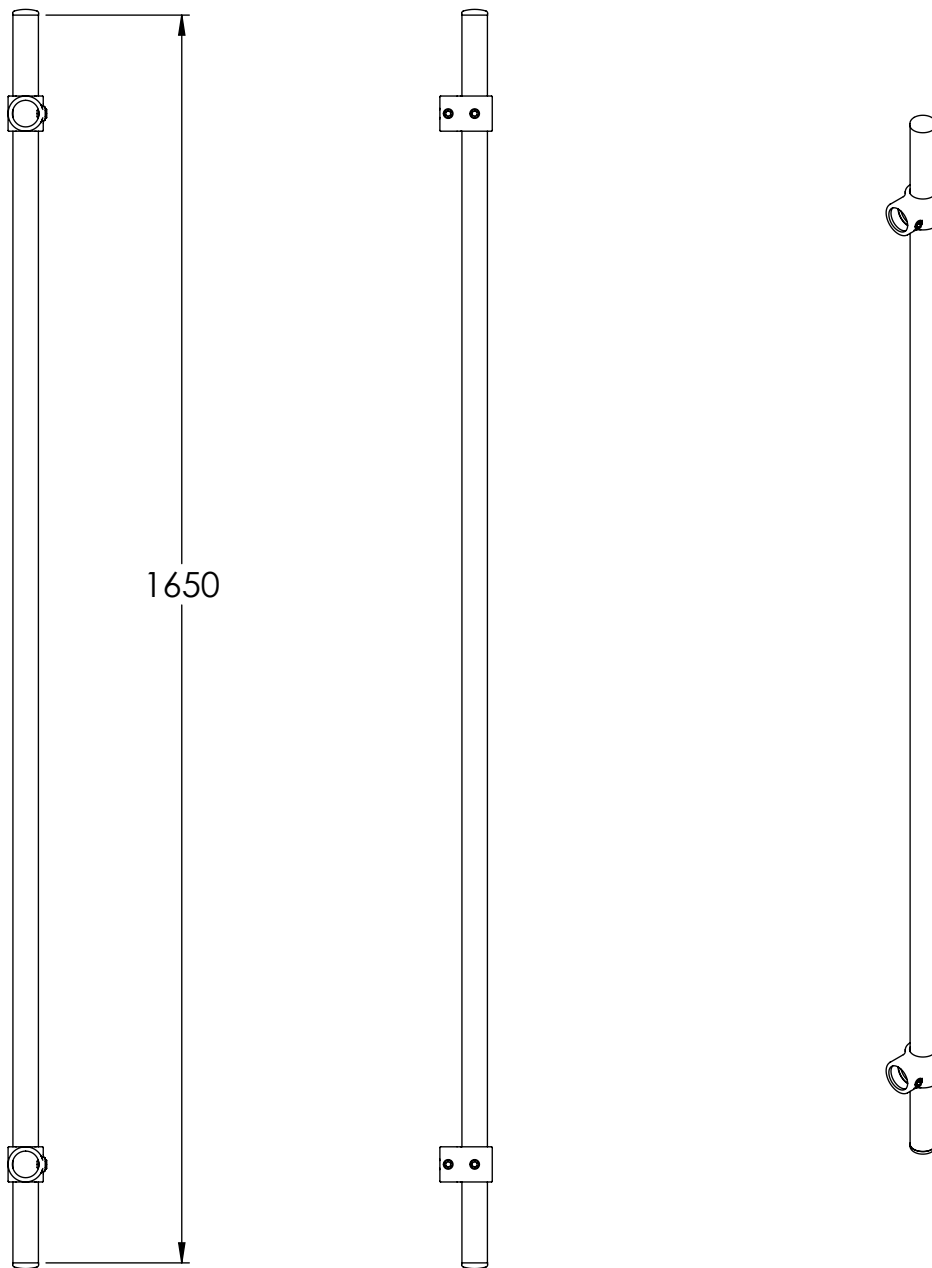
Issue No: 1

Technical Datasheet No: 0030

ASSEMBLY D GATE C

Part No: DGC

Short Part No: DGC



APPLICATION

Sub-assembly for Type C Gate

COMPONENT SPECIFICATION

Material	Malleable Cast Iron / Steel tubing $\phi 33,7 \times 3,2$ / $\phi 26,9 \times 2,7$ to EN 10255 / PVC
Finish	Galvanised to BS EN ISO 1461 / Natural
Weight	7.78kg

Issue Date: 10/08/2017

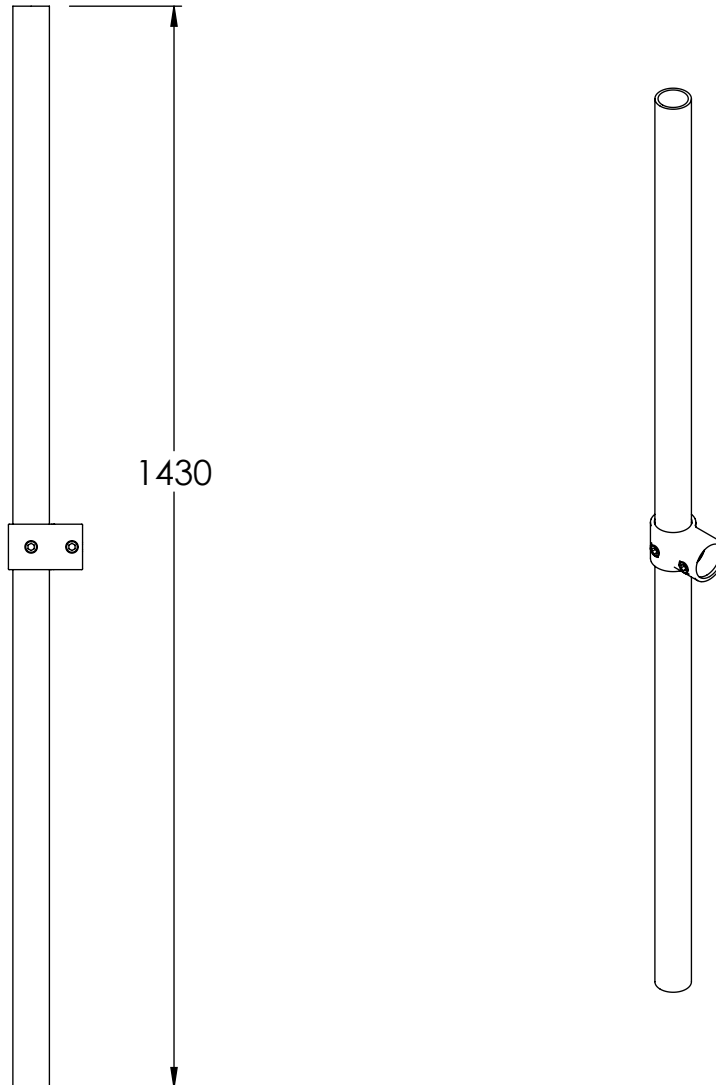
Issue No: 1

Technical Datasheet No: 0031

ASSEMBLY E GATE C

Part No: EGC

Short Part No: EGC



APPLICATION

Sub-assembly for Type C Gate

COMPONENT SPECIFICATION

Material	Malleable Cast Iron / Steel tubing ϕ 48,3 x 3,2 to EN 10255
Finish	Galvanised to BS EN ISO 1461
Weight	6.99kg

Issue Date: 10/08/2017

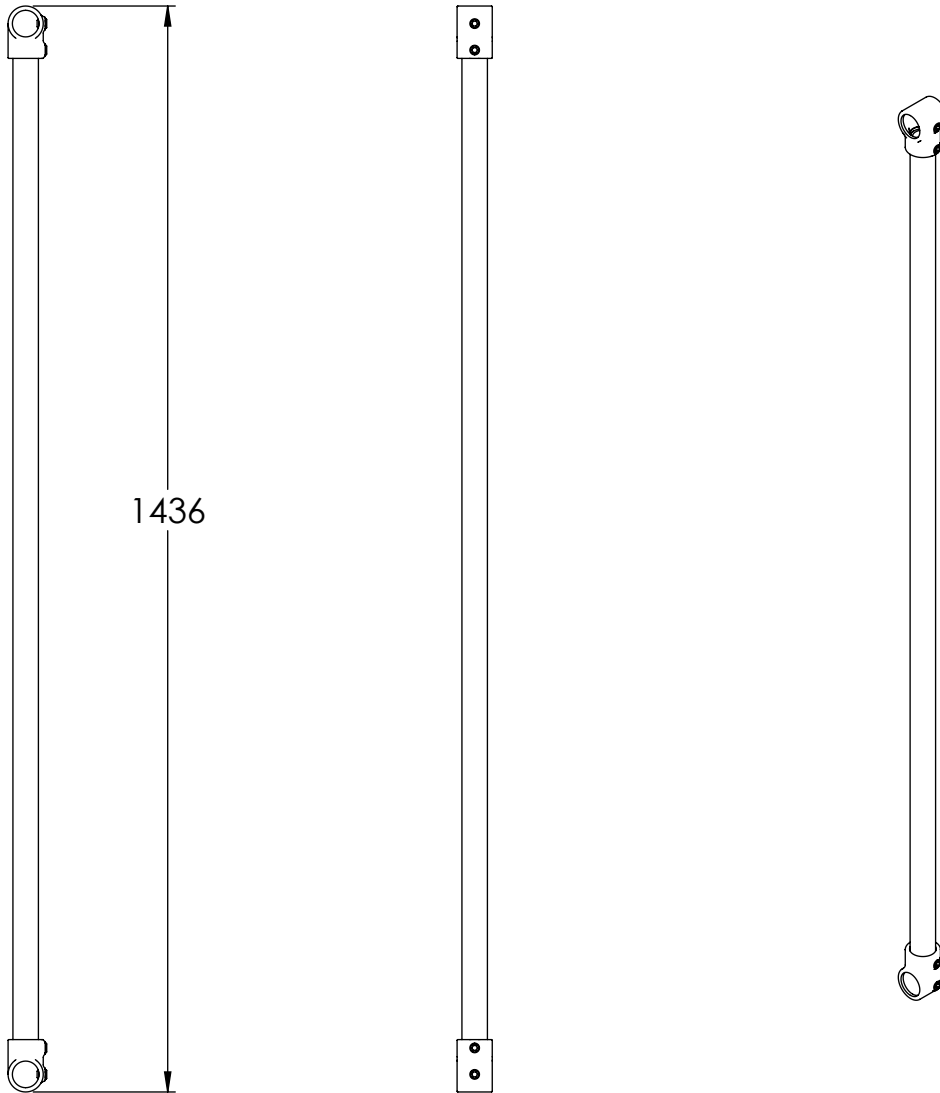
Issue No: 1

Technical Datasheet No: 0032

ASSEMBLY F GATE C

Part No: FGC

Short Part No: FGC



APPLICATION

Sub-assembly for Type C Gate

COMPONENT SPECIFICATION

Material	Malleable Malleable Cast Iron / Steel tubing $\phi 33,7 \times 3,2$ / $\phi 26,9 \times 2,7$ to EN 10255
Finish	Galvanised to BS EN ISO 1461
Weight	6.59kg

Issue Date: 10/08/2017

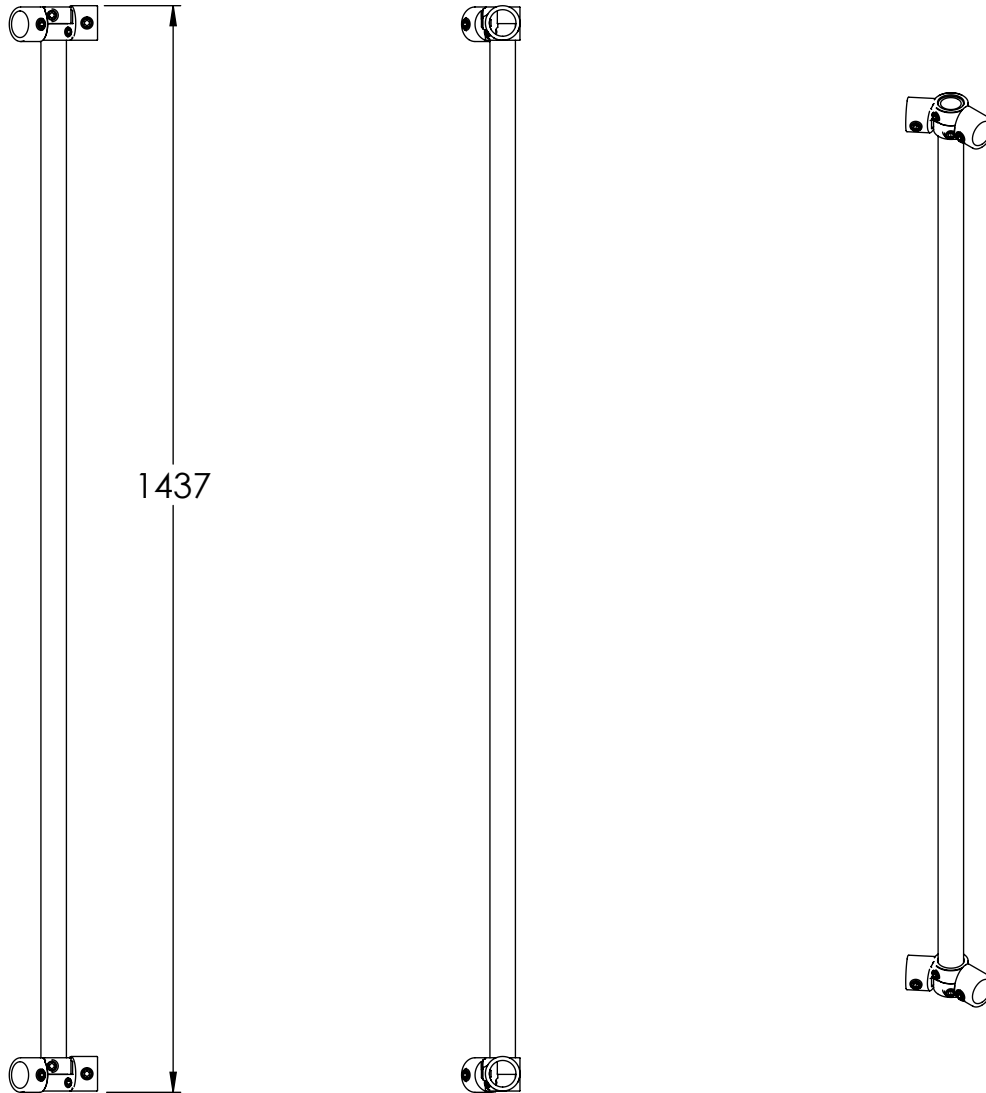
Issue No: 1

Technical Datasheet No: 0033

ASSEMBLY G GATE C

Part No: GGC

Short Part No: GGC



APPLICATION

Sub-assembly for Type C Gate

COMPONENT SPECIFICATION

Material	Malleable Cast Iron / Steel tubing ϕ 33,7 x 3,2 to EN 10255
Finish	Galvanised to BS EN ISO 1461
Weight	4.68kg

Issue Date: 10/08/2017

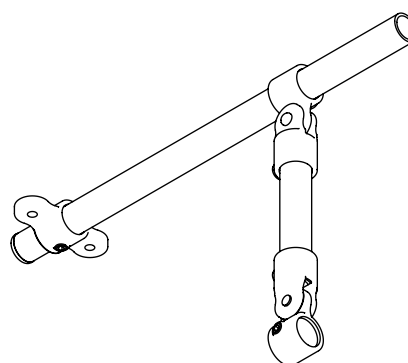
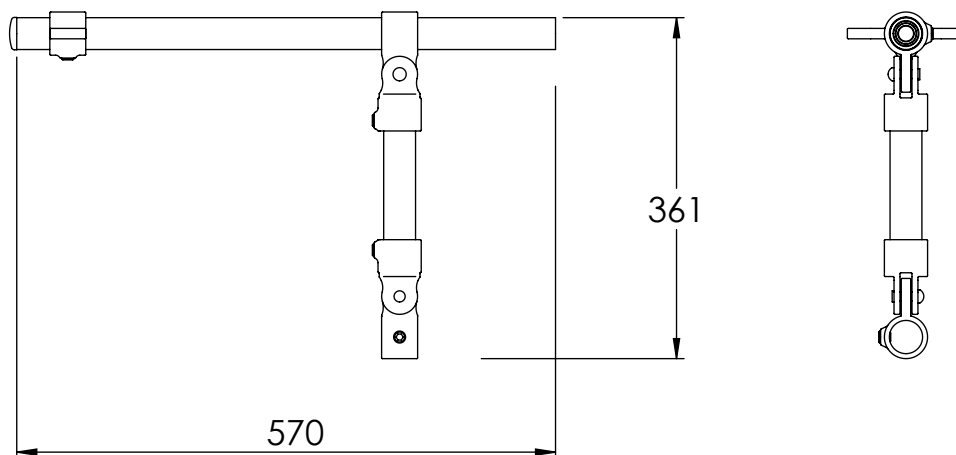
Issue No: 1

Technical Datasheet No: 0034

ASSEMBLY H GATE C

Part No: HGC

Short Part No: HGC



APPLICATION

Sub-assembly for Type C Gate

COMPONENT SPECIFICATION

Material	Malleable Cast Iron / Steel tubing ϕ 33,7 x 3,2 to EN 10255 / PVC
Finish	Galvanised to BS EN ISO 1461 / Natural
Weight	3.43kg

Issue Date: 10/08/2017

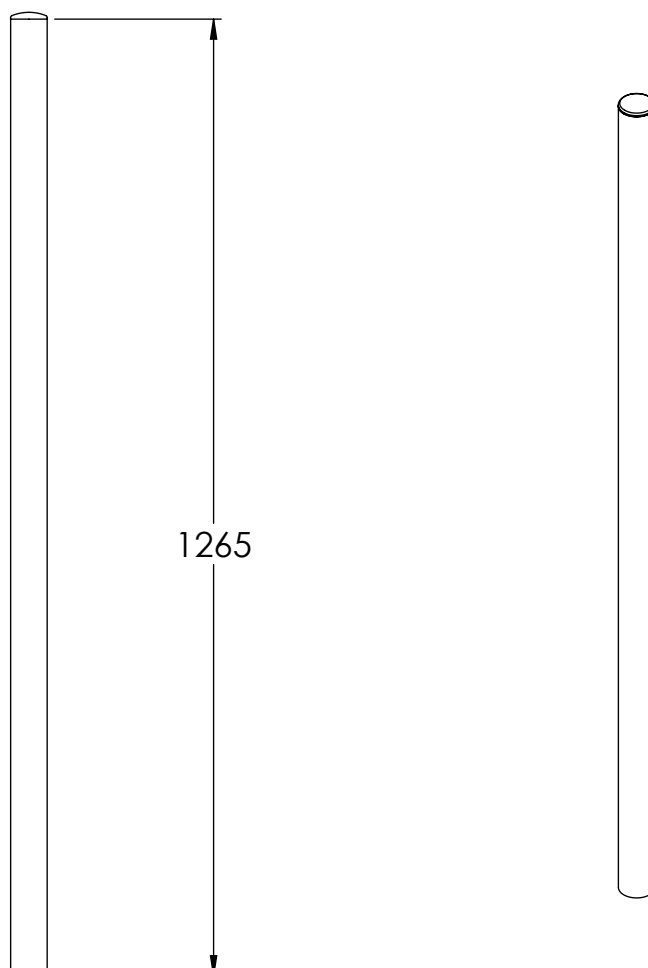
Issue No: 1

Technical Datasheet No: 0035

ASSEMBLY I GATE C

Part No: IGC

Short Part No: IGC



APPLICATION

Sub-assembly for Type C Gate

COMPONENT SPECIFICATION

Material	Steel tubing ϕ 48,3 x 3,2 to EN 10255 / PVC
Finish	Galvanised to BS EN ISO 1461 / Natural
Weight	5.69kg

Issue Date: 10/08/2017

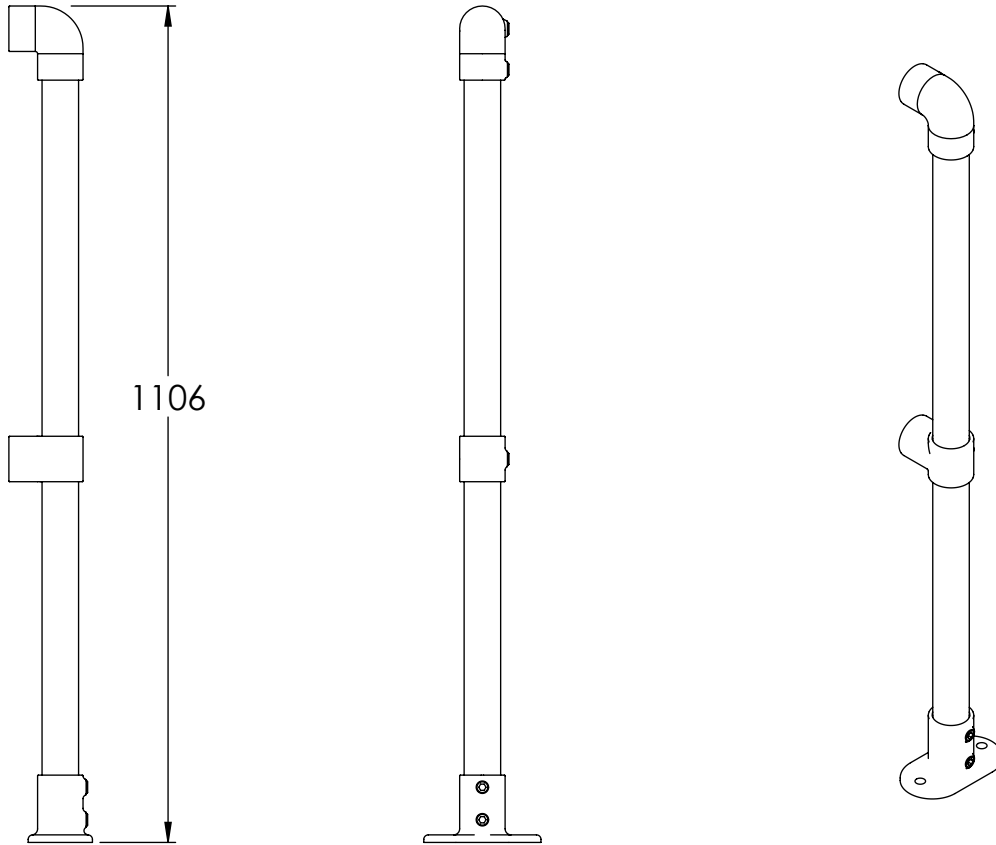
Issue No: 1

Technical Datasheet No: 0036

ASSEMBLY J GATE C

Part No: JGC

Short Part No: JGC



APPLICATION

Sub-assembly for Type C Gate

COMPONENT SPECIFICATION

Material	Malleable Cast Iron / Steel tubing ϕ 48,3 x 3,2 to EN 10255
Finish	Galvanised to BS EN ISO 1461
Weight	7.18kg

Issue Date: 10/08/2017

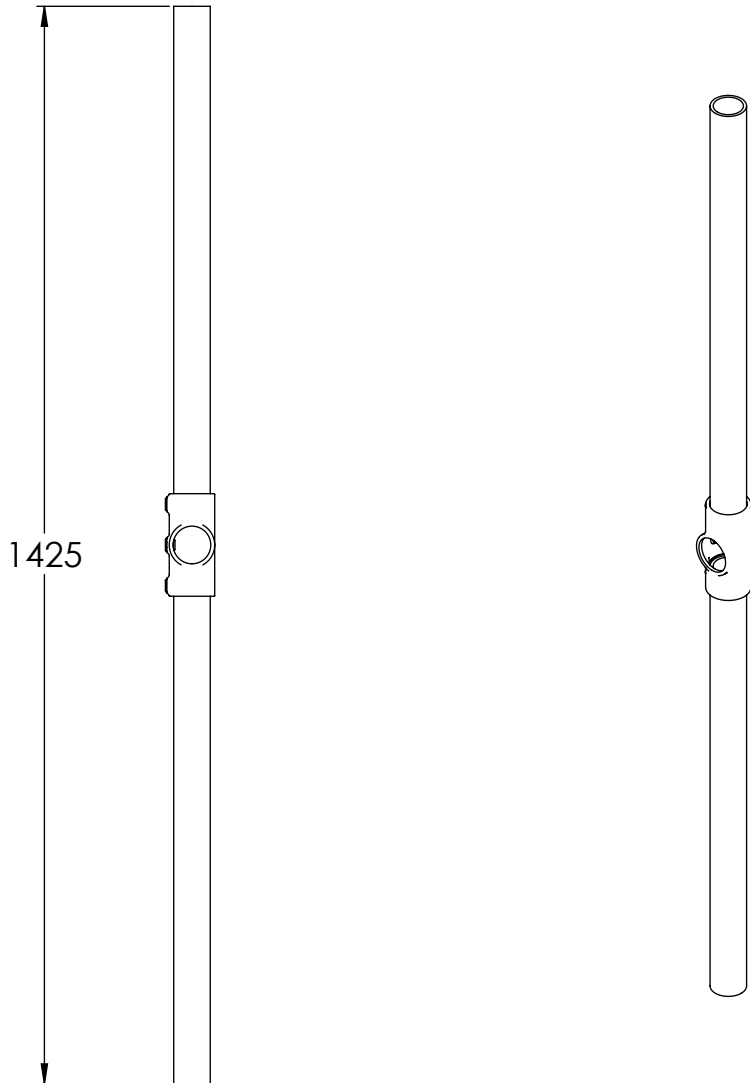
Issue No: 1

Technical Datasheet No: 0037

ASSEMBLY K GATE C

Part No: KGC

Short Part No: KGC



APPLICATION

Sub-assembly for Type C Gate

COMPONENT SPECIFICATION

Material	Malleable Cast Iron / Steel tubing ϕ 48,3 x 3,2 to EN 10255
Finish	Galvanised to BS EN ISO 1461
Weight	6.87kg

Issue Date: 10/08/2017

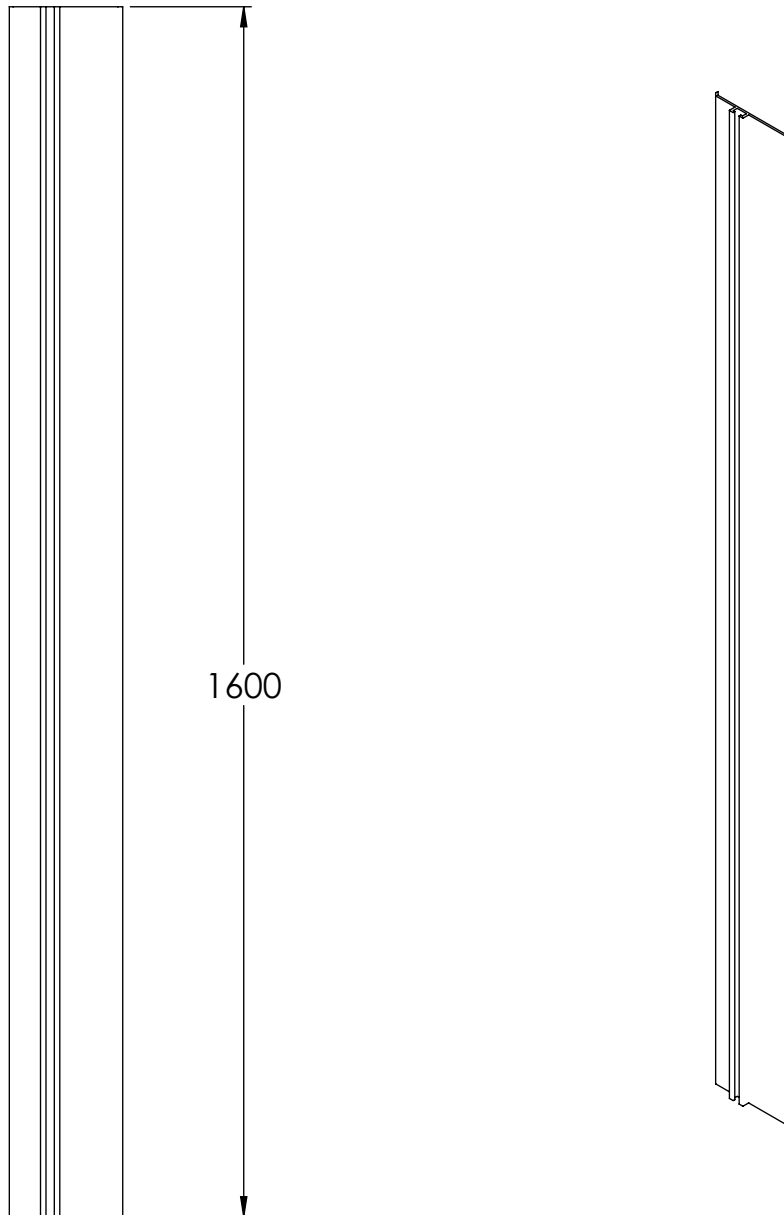
Issue No: 1

Technical Datasheet No: 0038

ASSEMBLY L GATE C

Part No: LGC

Short Part No: LGC



APPLICATION

Sub-assembly for Type C Gate

COMPONENT SPECIFICATION

Material	Aluminium Alloy 6063-T6
Finish	Natural
Weight	2.61kg

Issue Date: 10/08/2017

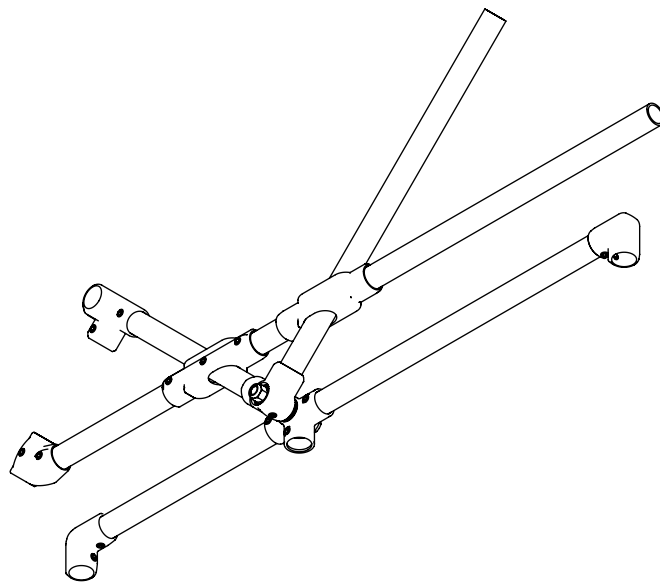
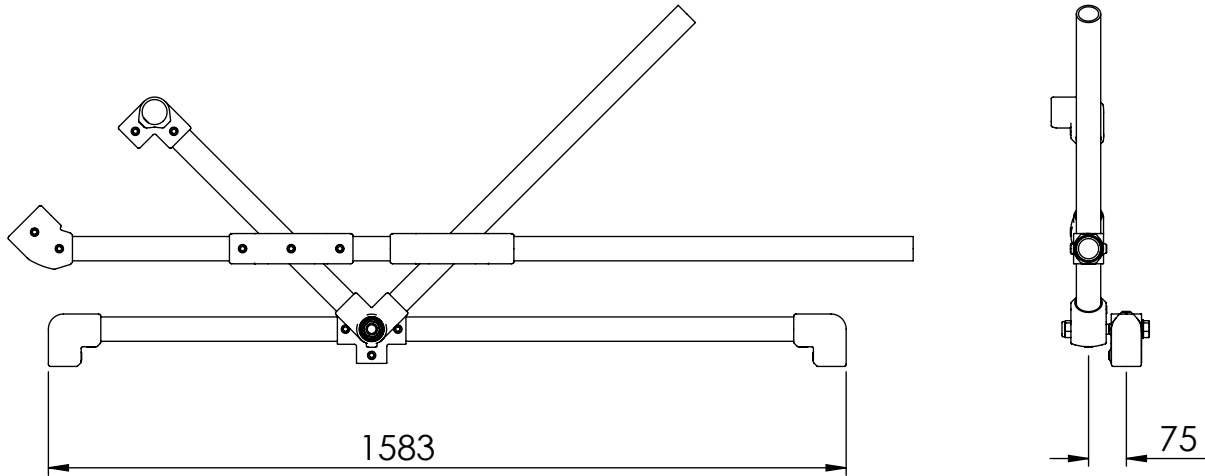
Issue No: 1

Technical Datasheet No: 0039

ASSEMBLY A RH GATE D

Part No: ARHGD

Short Part No: ARHGD



APPLICATION

Sub-assembly for Type D Gate

COMPONENT SPECIFICATION

Material	High Grade Aluminium Alloy to A356-T6 / Aluminium 6082-T6 $\phi 48,3 \times 4,05$ / Malleable Cast Iron
Finish	Natural / Anodised / Galvanised
Weight	12.41 kg

Issue Date: 10/08/2017

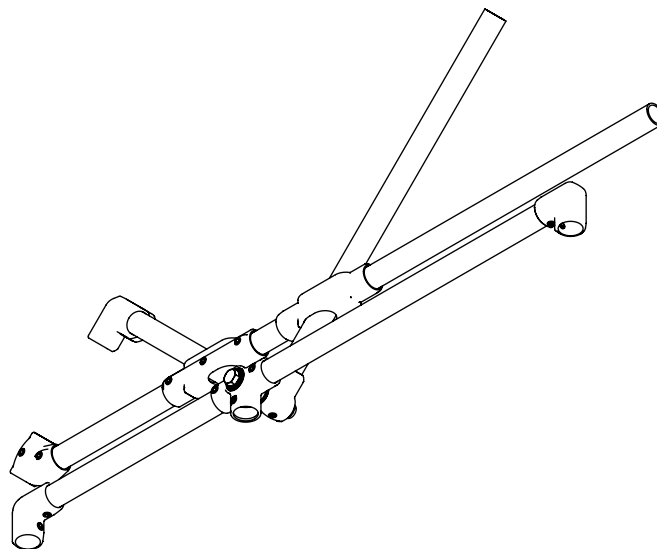
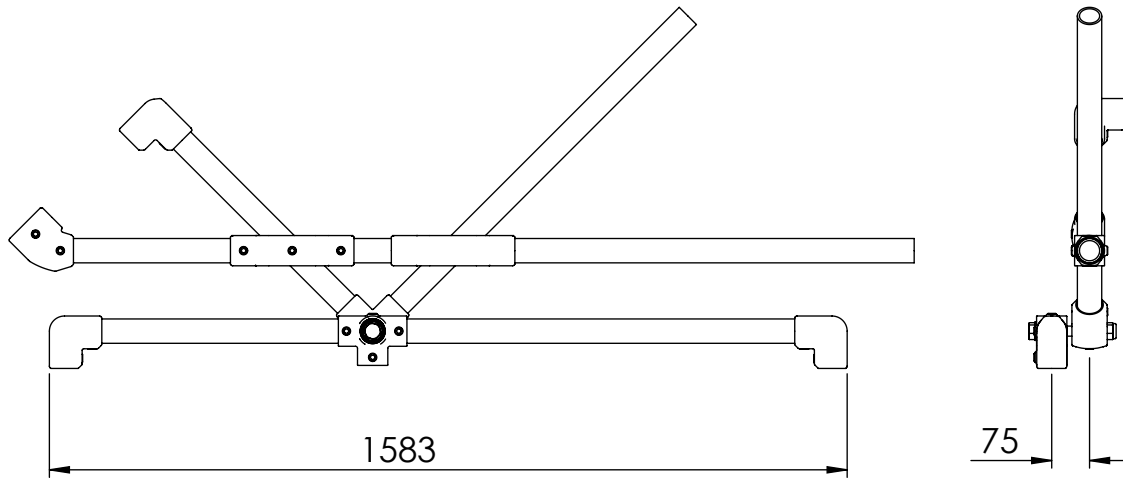
Issue No: 1

Technical Datasheet No: 0040

ASSEMBLY A LH GATE D

Part No: ALHGD

Short Part No: ALHGD



APPLICATION

Sub-assembly for Type D Gate

COMPONENT SPECIFICATION

Material	High Grade Aluminium Alloy to A356-T6 / Aluminium 6082-T6 ϕ 48,3 x 4,05 / Malleable Cast Iron
Finish	Natural / Anodised / Galvanised
Weight	12.41 kg

Issue Date: 10/08/2017

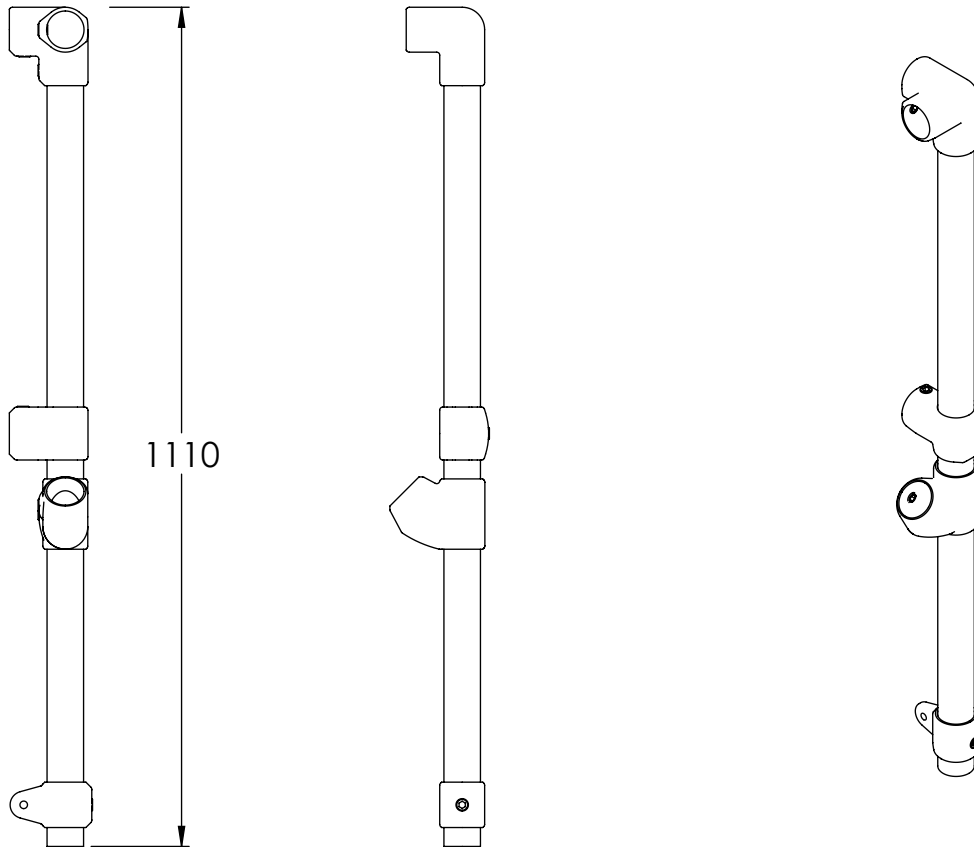
Issue No: 1

Technical Datasheet No: 0041

ASSEMBLY B RH GATE D

Part No: BRHGD

Short Part No: BRHGD



APPLICATION

Sub-assembly for Type D Gate

COMPONENT SPECIFICATION

Material	High Grade Aluminium Alloy to A356-T6 / Aluminium 6082-T6 ϕ 48,3 x 4,05
Finish	Natural / Anodised
Weight	3.01kg

Issue Date: 10/08/2017

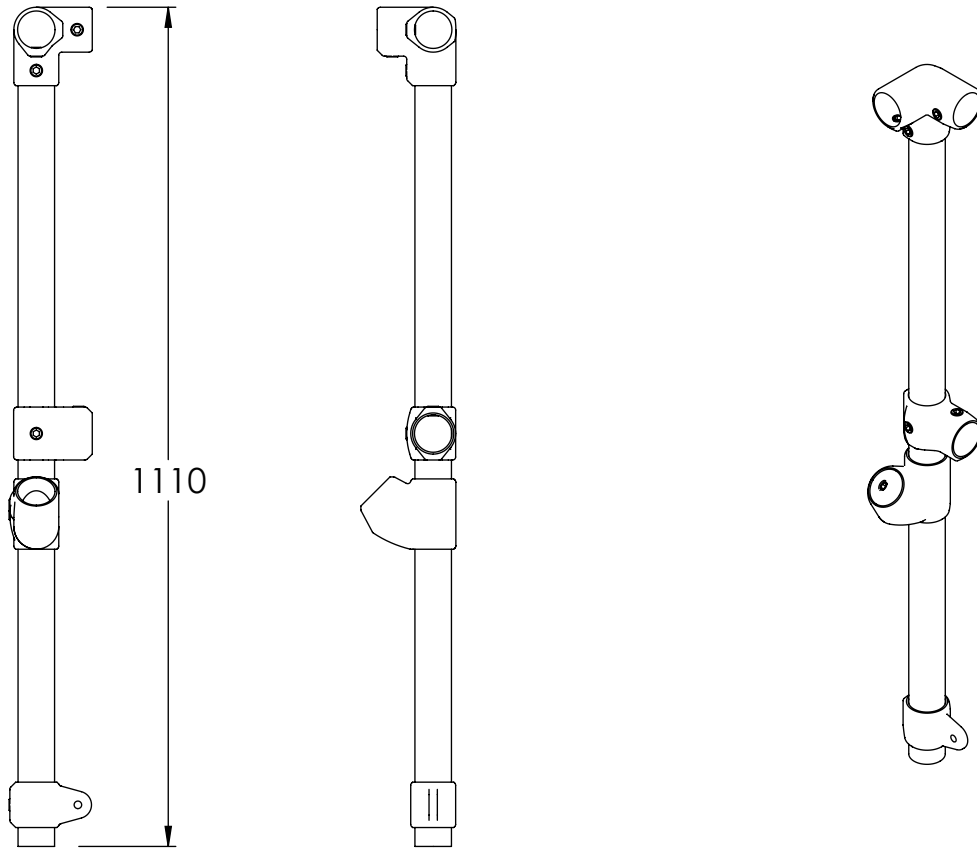
Issue No: 1

Technical Datasheet No: 0042

ASSEMBLY B LH GATE D

Part No: BLHGD

Short Part No: BLHGD



APPLICATION

Sub-assembly for Type D Gate

COMPONENT SPECIFICATION

Material	High Grade Aluminium Alloy to A356-T6 / Aluminium 6082-T6 ϕ 48,3 x 4,05
Finish	Natural / Anodised
Weight	3.01kg

Issue Date: 10/08/2017

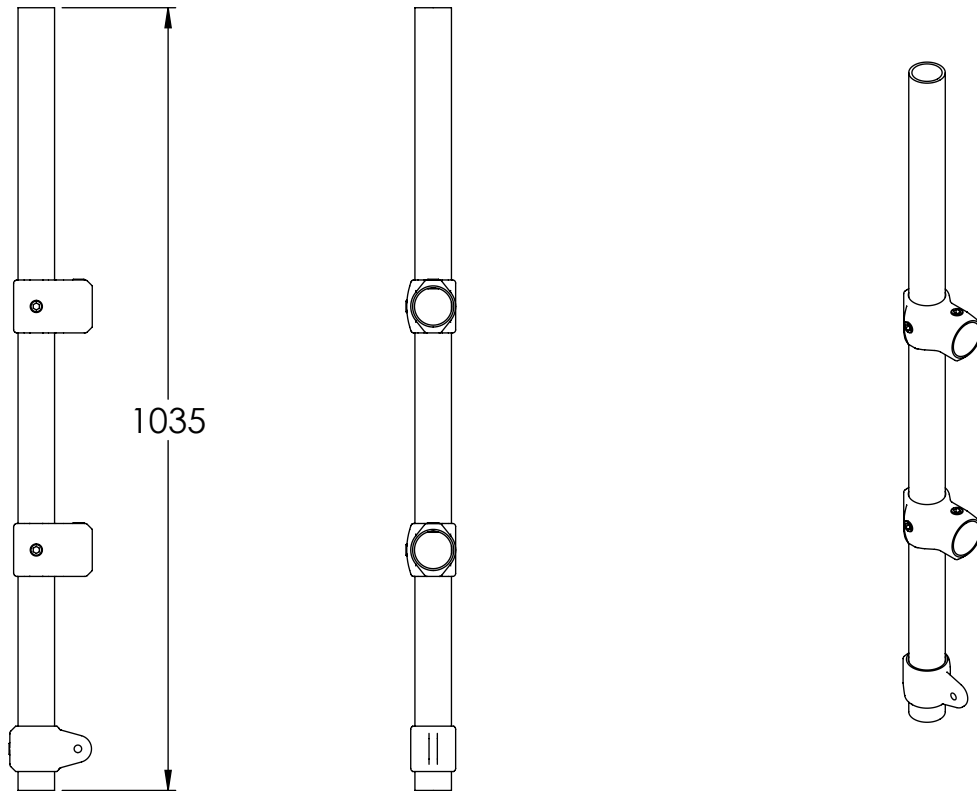
Issue No: 1

Technical Datasheet No: 0043

ASSEMBLY C GATE D

Part No: CGD

Short Part No: CGD



APPLICATION

Sub-assembly for Type D Gate

COMPONENT SPECIFICATION

Material	High Grade Aluminium Alloy to A356-T6 / Aluminium 6082-T6 ϕ 48,3 x 4,05
Finish	Natural / Anodised
Weight	2.44kg

Issue Date: 10/08/2017

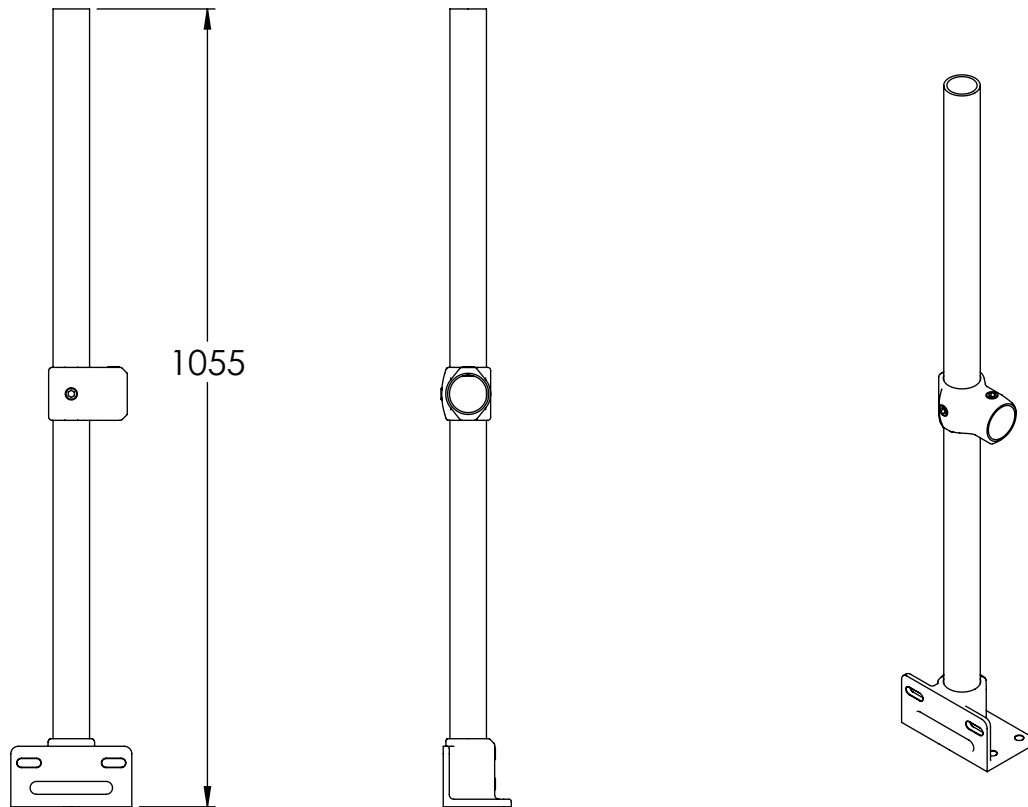
Issue No: 1

Technical Datasheet No: 0044

ASSEMBLY D GATE D

Part No: DGD

Short Part No: DGD



APPLICATION

Sub-assembly for Type D Gate

COMPONENT SPECIFICATION

Material	High Grade Aluminium Alloy to A356-T6 / Aluminium 6082-T6 ϕ 48,3 x 4,05
Finish	Natural / Anodised
Weight	2.69kg

Issue Date: 10/08/2017

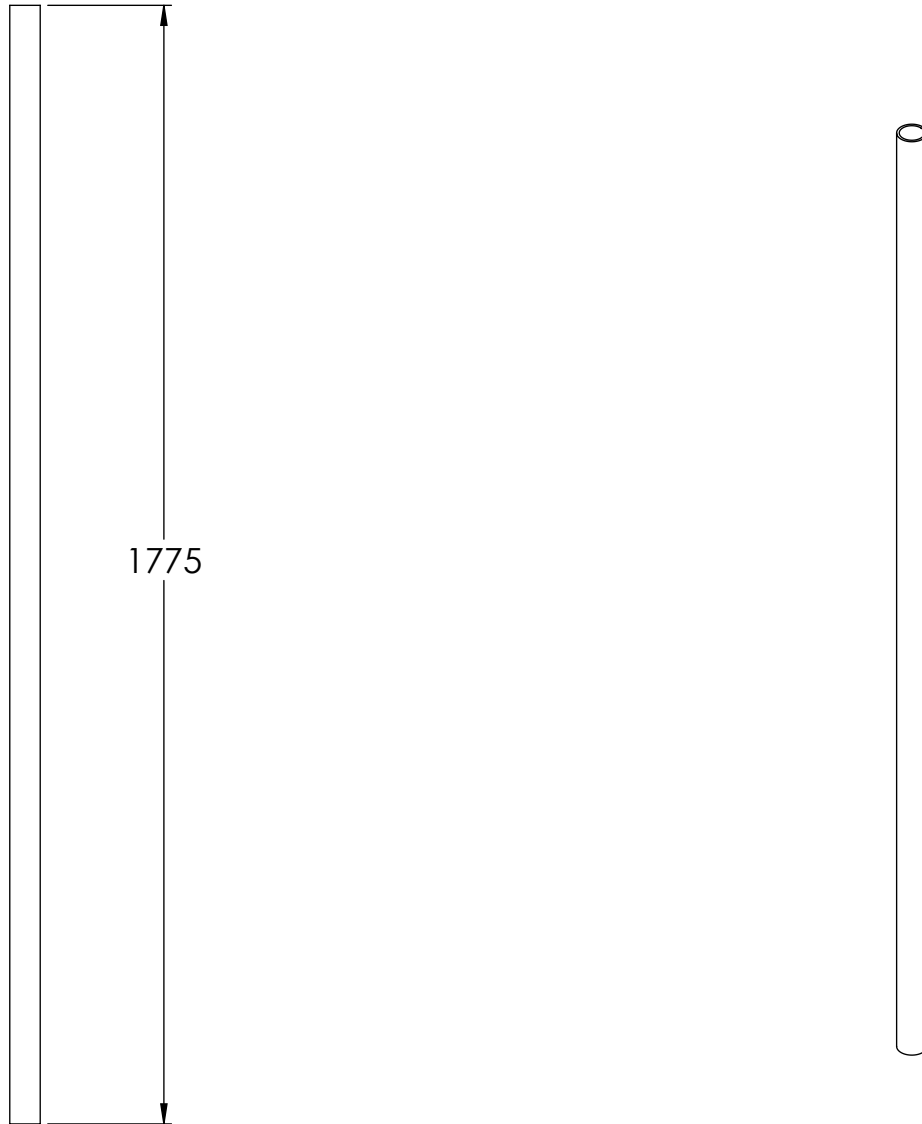
Issue No: 1

Technical Datasheet No: 0045

ASSEMBLY E GATE D

Part No: EGD

Short Part No: EGD



APPLICATION

Sub-assembly for Type D Gate

COMPONENT SPECIFICATION

Material	Aluminium 6082-T6 ϕ 48,3 x 4,05
Finish	Anodised
Weight	2.76kg

Issue Date: 10/08/2017

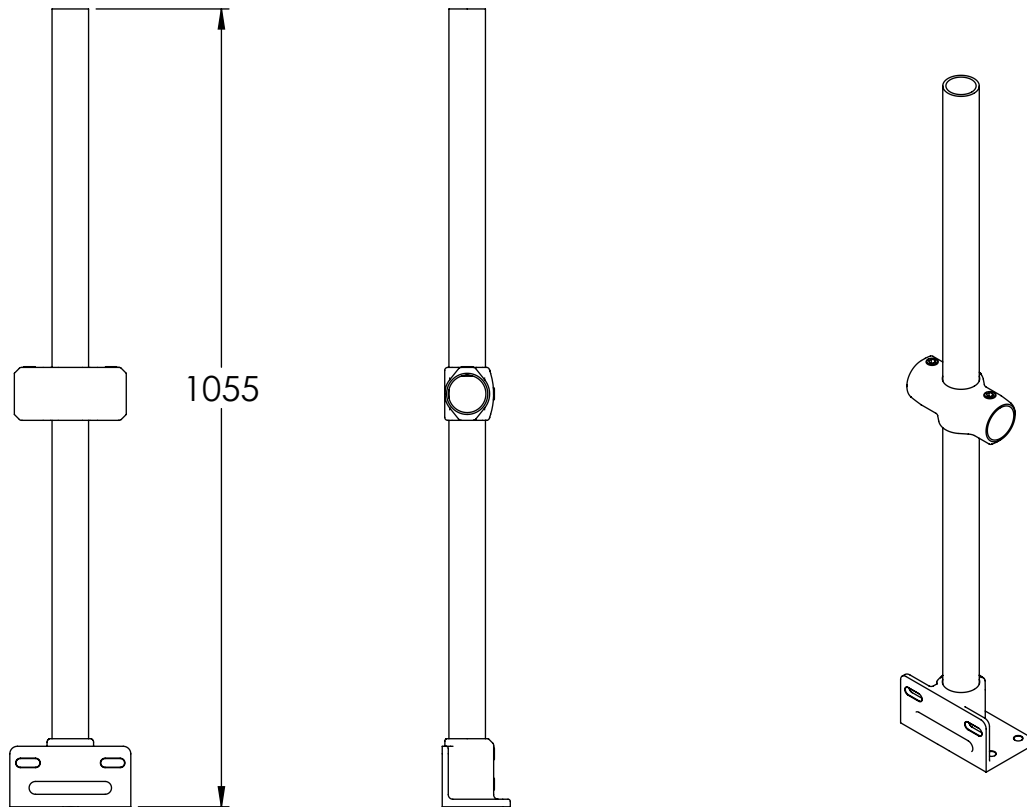
Issue No: 1

Technical Datasheet No: 0046

ASSEMBLY F GATE D

Part No: FGD

Short Part No: FGD



APPLICATION

Sub-assembly for Type D Gate

COMPONENT SPECIFICATION

Material	High Grade Aluminium Alloy to A356-T6 / Aluminium 6082-T6 ϕ 48,3 x 4,05
Finish	Natural / Anodised
Weight	2.81kg

Issue Date: 10/08/2017

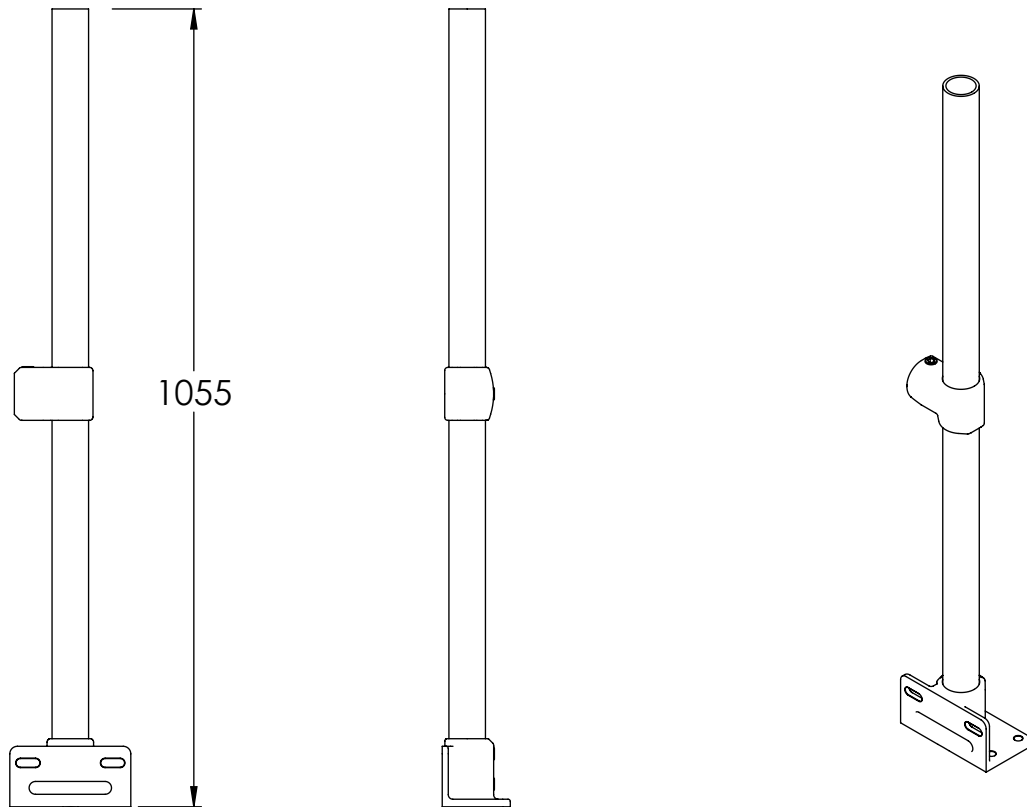
Issue No: 1

Technical Datasheet No: 0047

ASSEMBLY G GATE D

Part No: GGD

Short Part No: GGD



APPLICATION

Sub-assembly for Type D Gate

COMPONENT SPECIFICATION

Material	High Grade Aluminium Alloy to A356-T6 / Aluminium 6082-T6 ϕ 48,3 x 4,05
Finish	Natural / Anodised
Weight	2.69kg

Issue Date: 10/08/2017

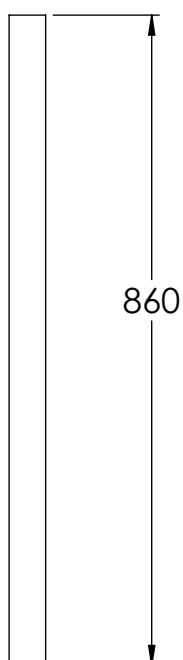
Issue No: 1

Technical Datasheet No: 0048

ASSEMBLY H GATE D

Part No: HGD

Short Part No: HGD



APPLICATION

Sub-assembly for Type D Gate

COMPONENT SPECIFICATION

Material	Aluminium 6082-T6 ϕ 48,3 x 4,05
Finish	Anodised
Weight	1.34kg

Issue Date: 10/08/2017

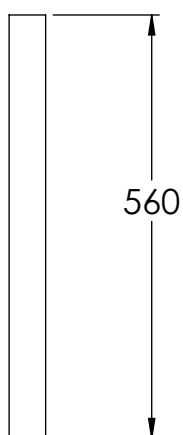
Issue No: 1

Technical Datasheet No: 0049

ASSEMBLY I GATE D

Part No: IGD

Short Part No: IGD



APPLICATION

Sub-assembly for Type D Gate

COMPONENT SPECIFICATION

Material	Aluminium 6082-T6 ϕ 48,3 x 4,05
Finish	Anodised
Weight	0.87kg

Issue Date: 10/08/2017

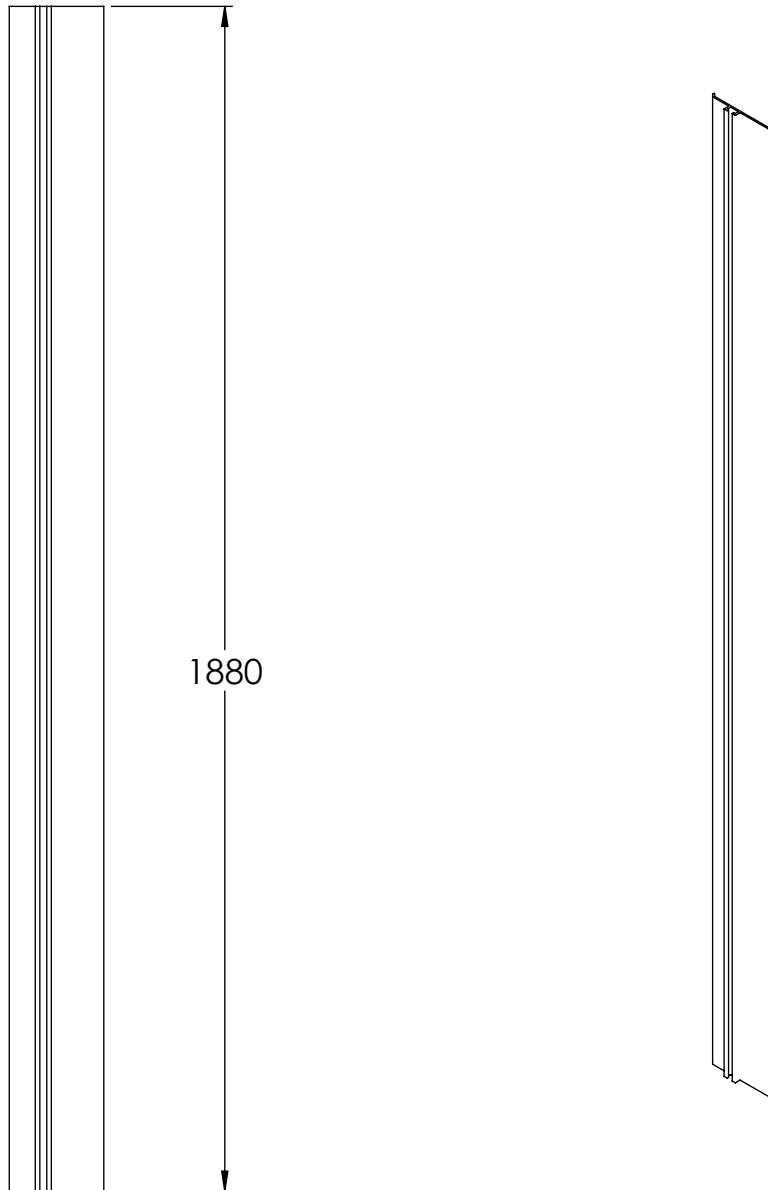
Issue No: 1

Technical Datasheet No: 0050

ASSEMBLY J GATE D

Part No: JGD

Short Part No: JGD



APPLICATION

Sub-assembly for Type D Gate

COMPONENT SPECIFICATION

Material	Aluminium Alloy 6063-T6
Finish	Natural
Weight	3.06kg

Issue Date: 10/08/2017

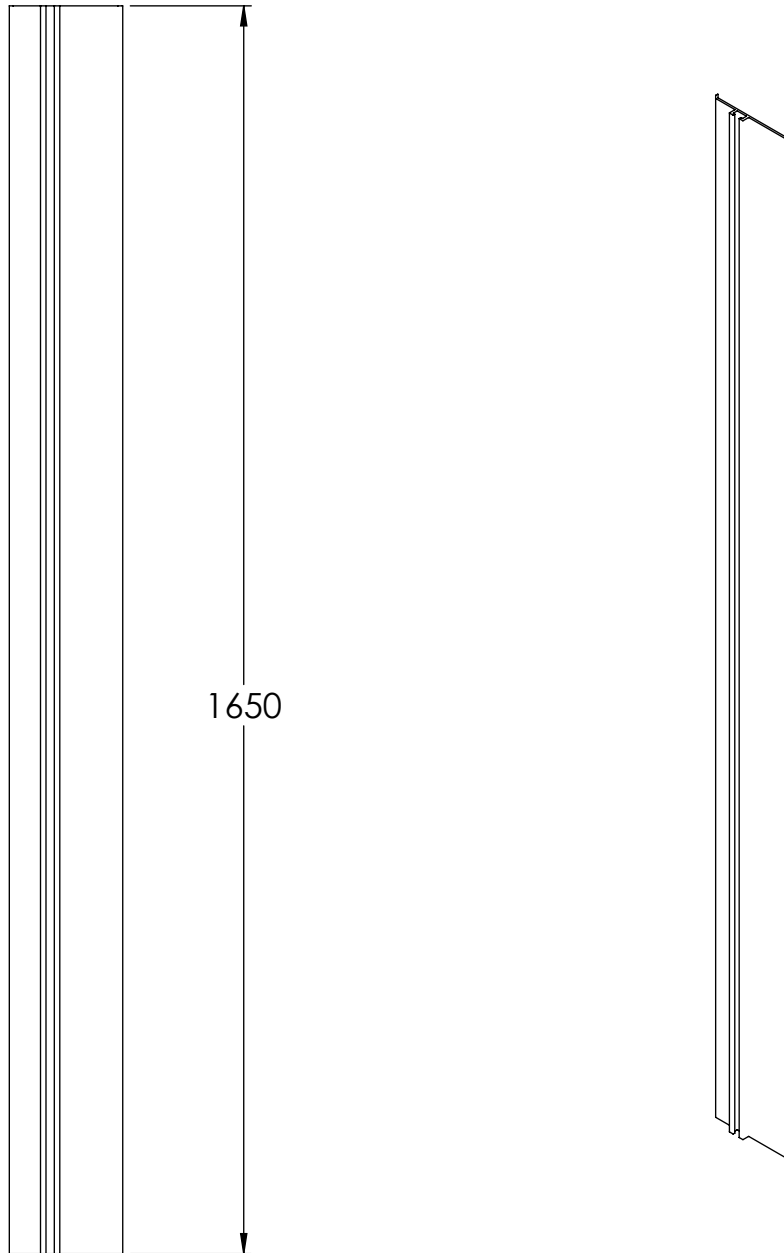
Issue No: 1

Technical Datasheet No: 0051

ASSEMBLY K GATE D

Part No: KGD

Short Part No: KGD



APPLICATION

Sub-assembly for Type D Gate

COMPONENT SPECIFICATION

Material	Aluminium Alloy 6063-T6
Finish	Natural
Weight	2.69kg

Issue Date: 10/08/2017

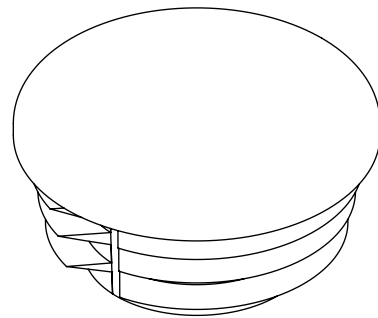
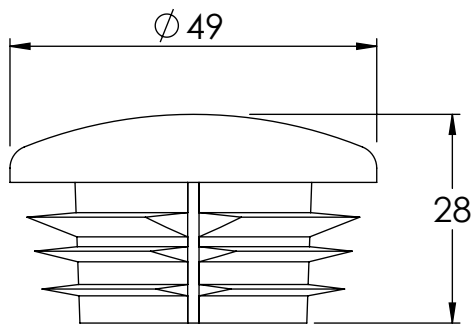
Issue No: 1

Technical Datasheet No: 0052

77-8 PLASTIC PLUG

Part No: 007780040

Short Part No: 77-8



APPLICATION

This component is fitted to the top of the Support Leg to prevent water ingress.

COMPONENT SPECIFICATION

Material	HDPE
Finish	Natural
Weight	0.007

Issue Date: 10/08/2017

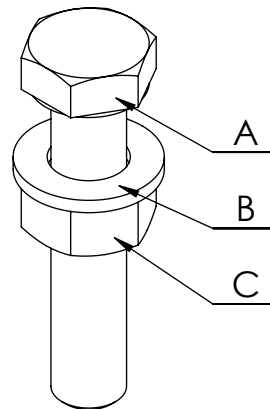
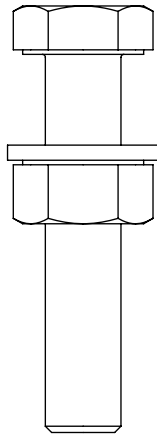
Issue No: 1

Technical Datasheet No: 0053

M10 x 50 FIXING SET

Part No: M10X50FS

Short Part No: M10X50FS



ITEM NO.	SHORT NO	DESCRIPTION	QTY.
A	M1050CSSZP	M10 x 50 HEX BOLT	1
B	WW1310	M10 PLAIN WASHER	1
C	WW1210	M10 FULL NUT	1

APPLICATION

M10 x 50 Fixing set for Toeboard

COMPONENT SPECIFICATION

Material	Mild Steel
Finish	Sheradised
Weight	0.06kg

Issue Date: 10/08/2017

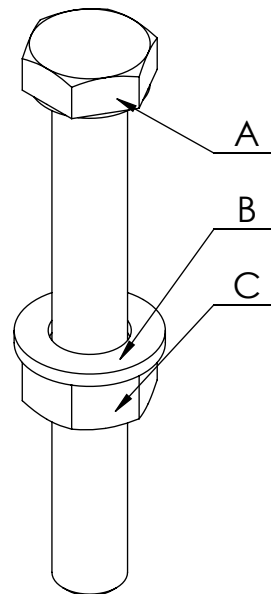
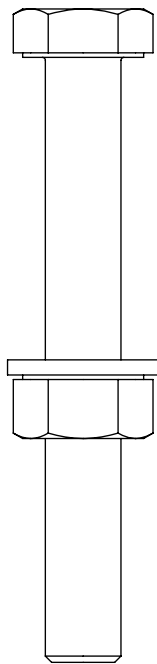
Issue No: 1

Technical Datasheet No: 0054

M10 X 80 FIXING SET

Part No: M10X80FS

Short Part No: M10X80FS



ITEM NO.	SHORT NO	DESCRIPTION	QTY.
A	M1080CSSZP	M10 x 80 HEX BOLT	1
B	WW1310	M10 PLAIN WASHER	1
C	WW1210	M10 FULL NUT	1

APPLICATION

M10 x 80 Fixing set for Toeboard

COMPONENT SPECIFICATION

Material	Mild Steel
Finish	Sheradised
Weight	0.07kg

Issue Date: 10/08/2017

Issue No: 1